

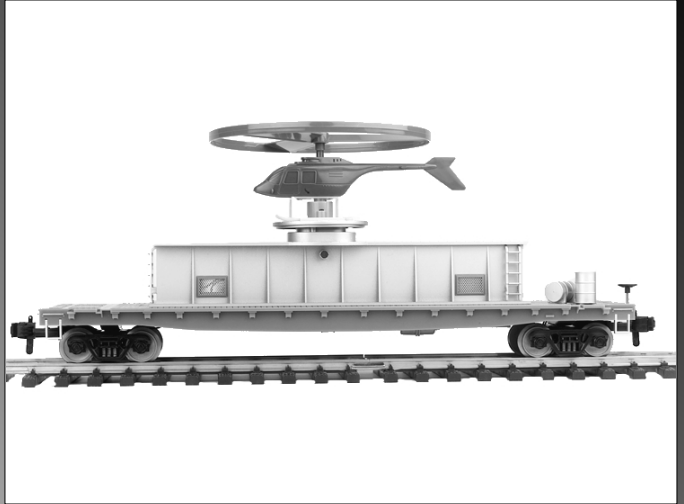
**RAILKING**  
ONE-GAUGE TRAINS

**M.T.H.**

ELECTRIC TRAINS.

7020 Columbia Gateway Drive  
Columbia, MD 21046-1532

[www.mth-railking.com](http://www.mth-railking.com)



The RailKing® One Gauge Operating Helicopter Car lets you bring increased realism to your One Gauge layout. Constructed from sturdy Polycarbonate plastic, One Gauge Freight Cars are created from quality components and have been designed for years of operation.

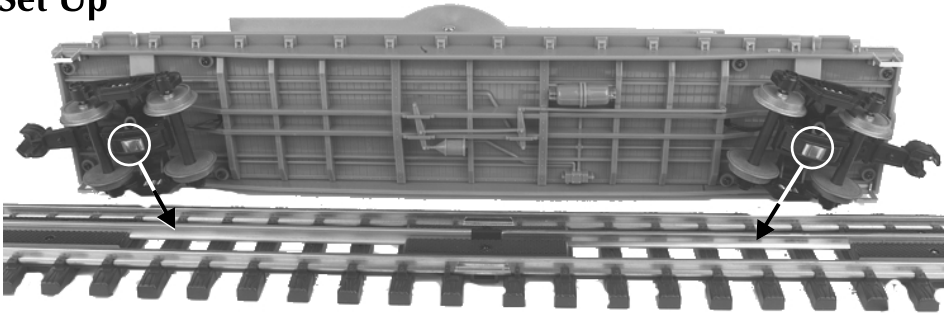
Controlled by an accessory track section and switch box, the Helicopter car launches a helicopter into the air. The Helicopter car is a perfect addition to your operating railroad.

**Recommended for children ages 10 and up. Adult supervision is recommended for those under 12 years of age.**

Operating  
Helicopter Car

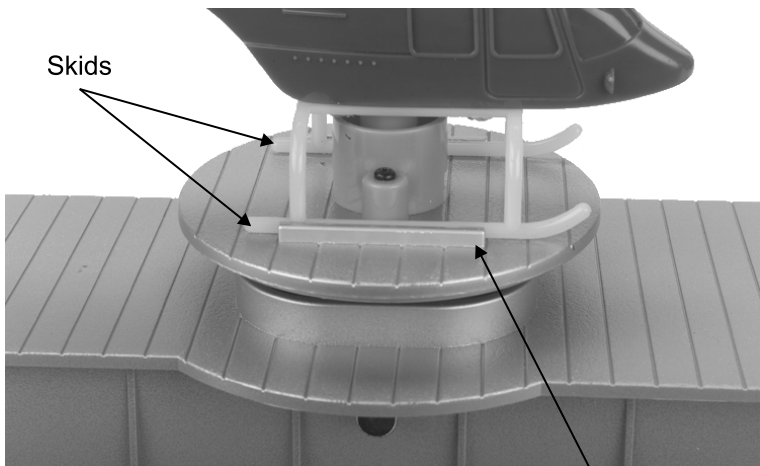
# INSTRUCTIONS

## Set Up



When you are ready to operate the Helicopter car, make sure the entire car is on the Accessory Track Section (ATS\*), so that the car's slide shoe pick-ups are in contact with the third rail. The recommended voltage for operation is 15-20 volts.

\* ATS sold separately (*ATS can be purchased at an authorized MTH dealer*)



Guide

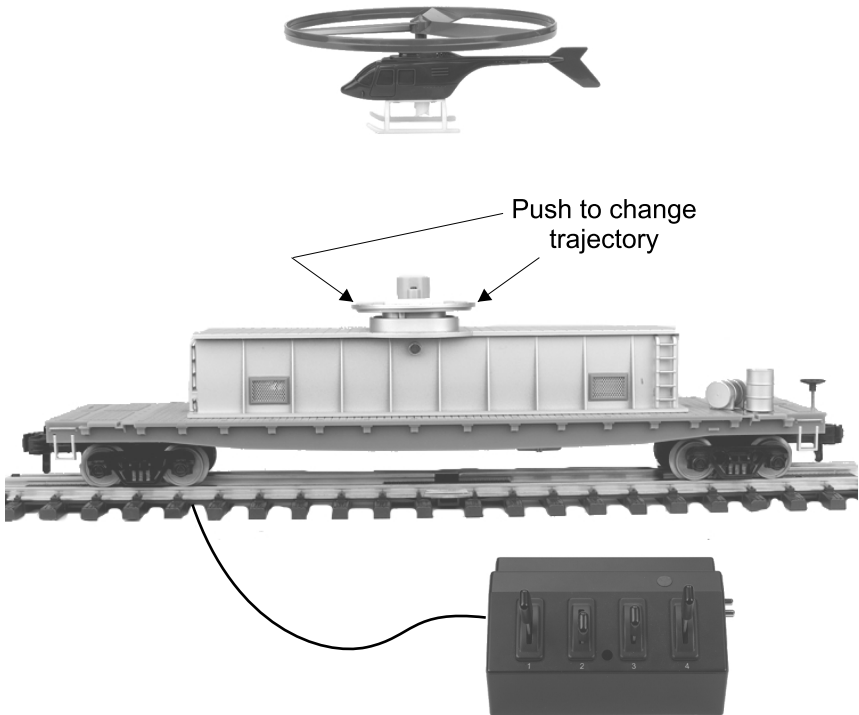
(another guide is located on the opposite side of the launch pad)

Place the helicopter on the launch pad by twisting the propeller until the cams lock together. Be sure that the skids are flush with the launch pad and inside the 2 guide rails on the launch pad surface. **CAUTION:** Injury could result if the helicopter is not seated properly on the launch pad surface

# Operation

**CAUTION:** This product is not recommended for children under the age of 10. Adult supervision for children under age 12 is highly encouraged as there are moving parts that could injure the user if proper precautions are not followed. Operating indoors at high voltages will cause the helicopter to rise higher than most indoor ceiling heights. Damage to the ceiling and/or helicopter could result. Refer to the operating instructions which detail voltage vs. height amounts.

1. **Do NOT** insert hands or fingers into blades when spinning. Serious injury could result.
2. **Do NOT** stand directly over the helicopter when its blades are spinning as serious injury could result should the helicopter prematurely launch.
3. **Do NOT** attempt to stop the spinning blades when the helicopter is still attached to the launcher as the launcher's motor is directly powering the blades and serious injury could result. Keep hair, loose clothing, jewelry and other objects away from spinning helicopter blades.



Use switch 1 or 4 on the switch box. Refer to your ATS instruction sheet for complete directions for it's use. Hold the switch up or down to operate. The Helicopters blade will rotate rapidly while you hold the switch in place. As soon as you release the switch the helicopter will launch into the air.

The amount of voltage you apply will determine the height that the helicopter will reach. At 15v the helicopter will go about 4-5ft high at 18v the helicopter will go about 15-20ft and at 20v the helicopter will launch 25-30ft into the air. The height can vary from transformer to transformer. To change the trajectory of the helicopter, the launch pad can be moved manually by pressing on either end.

# COUPLER OPTIONS

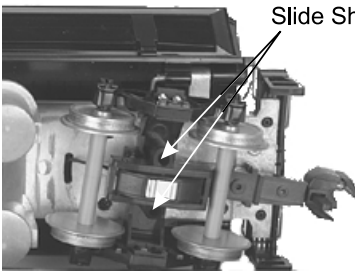
This RailKing One-Gauge Freight Car can be equipped with three different types of G-Gauge couplers - an MTH knuckle coupler, an MTH hook & loop coupler or a 1/32nd (#1 Scale) Kadee coupler. For your convenience, the MTH knuckle couplers, hook & loop couplers and 2 spacers for Kadee coupler mounting have been included with your Freight Car. The Kadee type must be the 1/32nd (#1 Scale) size and can be purchased from a Kadee coupler retailer. Both the standard knuckle and the hook and loop coupler designs attach to the truck. The Kadee coupler mounts directly onto the Freight Car's frame.

## Knuckle Coupler

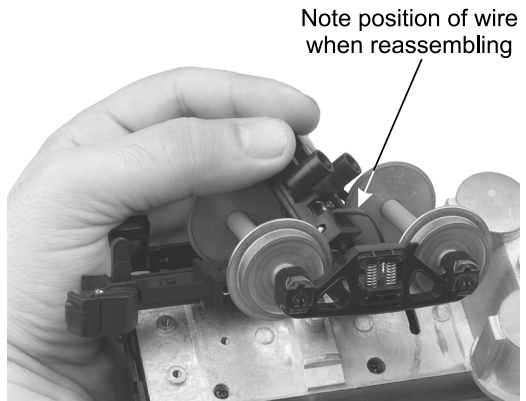
All MTH Freight Cars come with the knuckle coupler attached at 1/32nd height (which closely lines up with LGB couplers). The height of the coupler can be adjusted to mate up with the freight cars, passenger cars and locomotives of other manufacturers (USA, Lionel etc.).

### To lower the coupler you will need to:

1. Remove the 2 screws holding the Slide Shoe pick-up.
2. Remove the Slide Shoe pick-up wire screw to detach Slide Shoe from the truck frame.  
(*Please note:* When reassembling the Slide Shoe pick-up, be sure the wire is bent at a 45 degree angle so that there is no interference between the wire and the pick-up frame.)

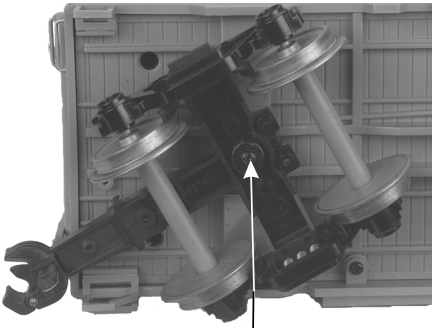


Slide Shoe pick-up screws



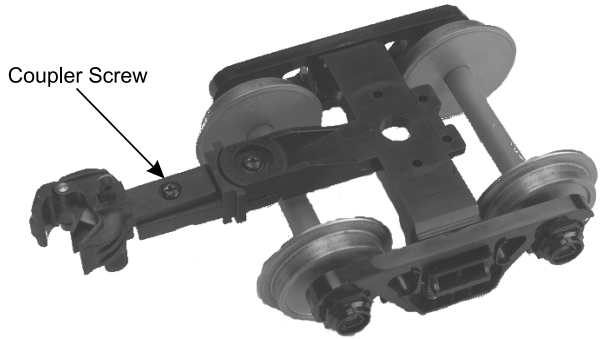
Note position of wire when reassembling

## Lowering Coupler Continued

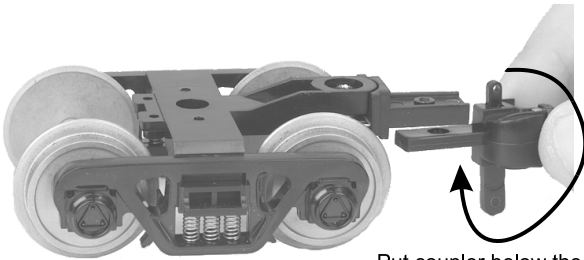


Truck Mount  
Screw

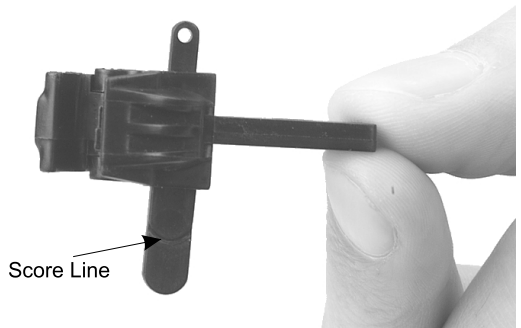
3. Remove the truck mounting screw.
4. Remove the coupler screw.
5. Put the coupler on the bottom of the shank and screw it on.
6. Then cut the armature pin at the score line.
7. Reassemble in reverse order.



Coupler Screw



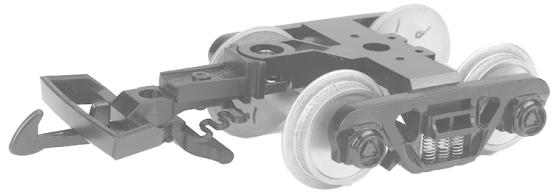
Put coupler below the shank  
& screw together



Score Line

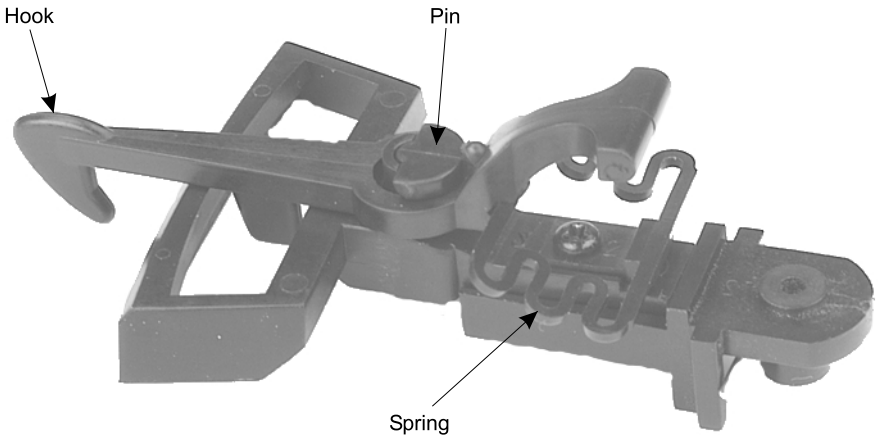
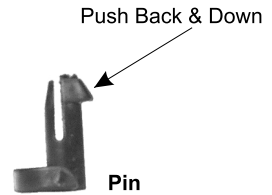
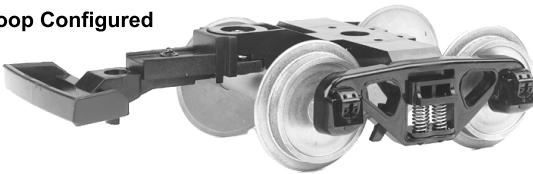
# Hook and Loop Coupler

You can configure the Hook and Loop coupler 2 different ways. You can apply the Hook and Loop on both sides of the car (you will need two manual uncouplers on the track to uncouple) or a Hook and Loop on one side and just the Loop on the other side (you will need 1 manual uncoupler on the track to uncouple). To install the Hook and Loop coupler, follow the same installation steps for the knuckle coupler and screw the Hook and Loop coupler onto the bottom of the shank. To equip just the Loop, you will need to remove the pin, the Hook and the spring before screwing the coupler to the shank. To remove the pin you will need to use a standard screw driver to push the larger side of the locking pin in a back and downward motion.



**Hook & Loop Configured**

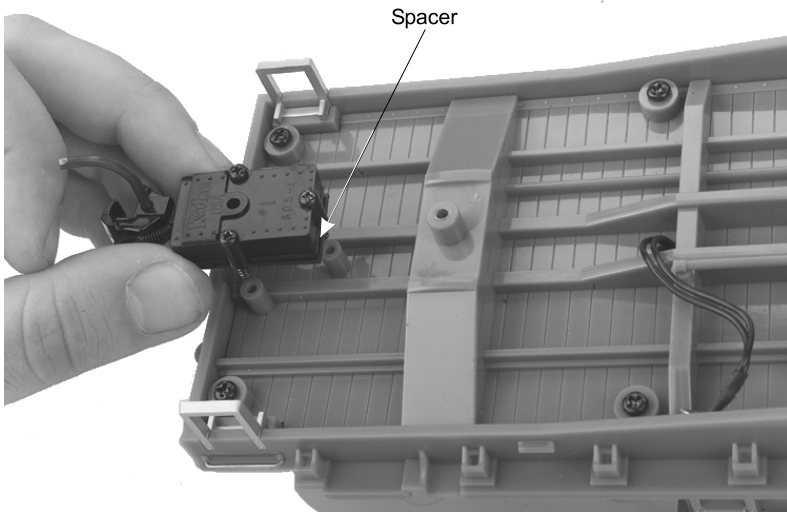
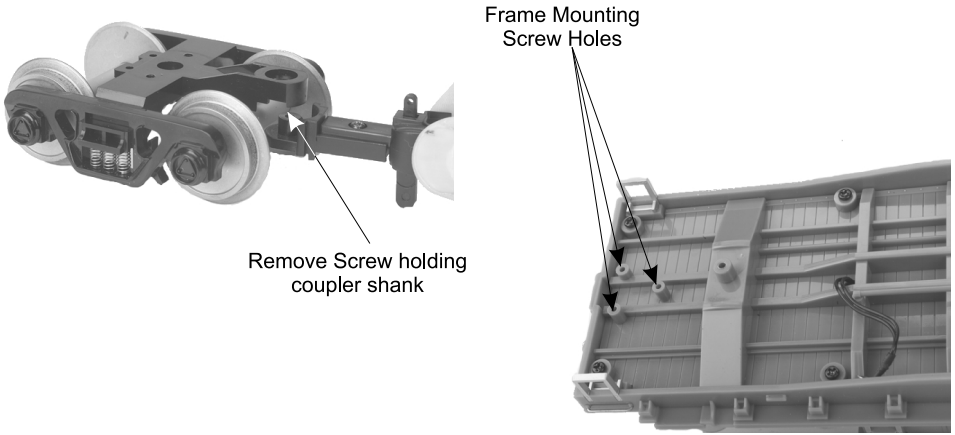
**Loop Configured**



# Kadee Coupler

To install a 1/32nd (#1 Scale) Kadee coupler:

1. Remove the truck mounting screw. (See page 2 & 3)
2. Remove the screw that holds the coupler shank to the truck frame.
3. Turn the truck backward, so the arm of the truck is pointing towards the center of the car. (A slight modification to the truck bolster or undercarriage may be necessary to allow the truck to swing freely.)
4. Replace truck mounting screw.
5. Align the spacer provided and the Kadee coupler with the Kadee coupler mounts on the base.
6. Screw the coupler to the frame of the car. (screws are not included)



# Service & Warranty Information

## How to Get Service Under the Terms of the Limited One-Year Warranty

When you suspect an item is defective, please check the operator's manual for standard operation and trouble-shooting techniques that may correct the problem. Additional information may be found on the M.T.H. Website. Should you still require service, follow the instructions below to obtain warranty service.

First, e-mail, write, call or fax a M.T.H. Authorized Service Center (ASC) in your area to obtain Repair Authorization. You can find the list of ASCs on the M.T.H. Website, [www.mth-railking.com](http://www.mth-railking.com). Authorized Service Centers are required to make warranty repairs on items sold *only* from that store; all other repairs may-- or may not be done at the store's own discretion. If you did not purchase the item directly from the ASC, you will need to select a National Authorized Service Center (NASC). These centers are compensated by M.T.H. to perform warranty service for any customer whose repair qualifies for warranty service. A list of NASC retailers can be located on the M.T.H. Website or by calling 1-888-640-3700. Should the warranty no longer apply, you may choose either an ASC or NASC retailer to service your M.T.H. Product. A reasonable service fee will be charged.

**CAUTION:** Make sure the product is packed in its original factory packaging including its foam and plastic wrapping material to prevent damage to the merchandise. There is no need to return the entire set if only one of the components is in need of repair *unless otherwise instructed by the Service Center*. ***The shipment must be prepaid and we recommend that it be insured. A cover letter including your name, address, daytime phone number, e-mail address (if available), Return Authorization number (if required by the service center, a copy of your sales receipt and a full description of the problem must be included to facilitate the repairs. Please include the description regardless of whether you discussed the problem with a service technician when contacting the Service Center for your Return Authorization.***

Please make sure you have followed the instructions carefully before returning any merchandise for service. Authorized M.T.H. Service Centers are independently owned and operated and are not agents or representatives of M.T.H. Electric Trains. M.T.H. assumes no responsibility, financial or otherwise, for material left in their possession, or work done, by privately owned M.T.H. Authorized Service Centers.

If you need assistance at any time email MTH Service at [service@mth-railking.com](mailto:service@mth-railking.com), or call 410 381-2580.

## Limited One-Year Warranty

**All M.T.H. products purchased from an Authorized M.T.H. Train Merchant are covered by this warranty.**

See our website at [www.mth-railking.com](http://www.mth-railking.com) or call 1-888-640-3700 to identify an Authorized M.T.H. Train Merchant near you.

M.T.H. products are warrantied for one year from the date of purchase against defects in material or workmanship, excluding wear items such as light bulbs, pick-up rollers, batteries, smoke unit wicks, and traction tires. We will repair or replace (at our option) the defective part without charge for the parts or labor, if the item is returned to an M.T.H. Authorized Service Center (ASC) or M.T.H. National Authorized Service Center (NASC) within one year of the original date of purchase. This warranty does not cover damages caused by improper care, handling, or use. Transportation costs incurred by the customer are not covered under this warranty.

Items sent for repair must be accompanied by a return authorization number, a description of the problem, and **a copy of the original sales receipt from an Authorized M.T.H. Train Merchant**, which gives the date of purchase. If you are sending this product to an Authorized Service Center, contact that Center for their return authorization.

This warranty gives you specific legal rights, and you may have other rights that vary from state to state. Specific questions regarding the warranty may be forwarded to M.T.H. directly.





# AUTHORIZED SERVICE CENTER

7020 Columbia Gateway Dr. - Columbia, MD 21046

Information: 410-381-2580 Fax: 410-381-6122

[www.mth-railking.com](http://www.mth-railking.com)

## PARTICIPATING N.A.S.C. RETAILER LIST

### CANADA

TOY TRAIN WORKSHOP  
CUMBERLAND  
613-833-3125

THE TRAIN ROOM  
ERGUS  
519-787-3280

CALIFORNIA  
TIN PLATE JUNCTION  
OAKLAND  
510-444-4780

### COLORADO

MIZELL TRAINS INC  
WESTMINSTER  
303-429-4811

### CONNECTICUT

NEW ENGLAND HOBBY  
SUPPLY  
MANCHESTER  
860-646-0610

### FLORIDA

ROUNDHOUSE SOUTH  
PORT ORANGE  
386-304-7002

### MARYLAND

PLAZA HOBBY  
CUMBERLAND  
301-729-6424

ENGINE HOUSE HOBBIES  
GAITHERSBURG  
301-590-0816

### CATOCTIN MOUNTAIN TRAINS

THURMONT  
301-694-8331

### MICHIGAN

MICHIGAN MODEL TRAIN  
CENTER  
PINCKNEY  
734-426-1651

BRASSEUR ELECTRIC TRAINS,  
INC.  
SAGINAW  
989-793-4753

### NEW HAMPSHIRE

TREASURED TOYS  
SALEM  
603-898-7224

### NEW YORK

AURORA RAILS & HOBBIES  
EAST AURORA  
716-652-5718

### OHIO

DAVIS ELECTRONICS  
MILFORD  
513-831-6425

RICK'S TOY TRAINS  
TOLEDO  
419-478-0171

### PENNSYLVANIA

BUSSINGER TRAINS  
AMBLER  
215-628-2366

### FAIRCHANCE PHARMACY

FAIRCHANCE  
724-564-7817

THE STATION  
NEW CUMBERLAND  
717-774-7096

### VIRGINIA

LOCUST GROVE TRAINS  
LOCUST GROVE  
540-854-8955

DAVIS HOBBY SUPPLIES  
PORTSMOUTH  
757-397-1983

T S G HOBBIES  
WARRENTON  
540-347-9212

### WISCONSIN

SOMMERFELD'S TRAINS  
BUTLER  
262-783-7797

GRAMPA'S TRAIN SHOP  
RICE LAKE  
715-234-2996



# AUTHORIZED SERVICE CENTER

7020 Columbia Gateway Dr. - Columbia, MD 21046

Information: 410-381-2580 Fax: 410-381-6122

[www.mth-railking.com](http://www.mth-railking.com)

## PARTICIPATING A.S.C. RETAILER LIST

### CANADA

TOY TRAIN WORKSHOP  
CUMBERLAND  
613-833-3125

THE TRAIN ROOM  
ERGUS  
519-787-3280

CREDIT VALLEY RAILWAY  
COMPANY  
STREETSVILLE  
905-826-1306

B&H TRAINS  
TERREBONNE, QUEBEC  
450-492-0317

### ALABAMA

SOUTHERLAND STATION  
HUNTSVILLE  
256-533-4720

LIL' BOBBY'S HOBBIES  
MONTGOMERY  
334-277-1715

### ARIZONA

ARIZONA TRAIN DEPOT  
MESA  
480-833-9486

CENTRAL COAST TRAINS  
ATASCADERO  
805-466-1391

### CALIFORNIA

CENTRAL COAST TRAINS  
ATASCADERO  
805-466-1391

TRAIN SHACK  
BURBANK  
818-842-3330

ROUNDHOUSE  
NORTH HOLLYWOOD  
818-769-0403

DOLLHOUSES, TRAINS &  
MORE  
NOVATO  
415-883-0388

TIN PLATE JUNCTION  
OAKLAND  
510-444-4780

RON'S WORLD  
SAN CLEMENTE  
949-361-5596

TRUCKS & TRAINS HOBBIES  
SANTA ROSA  
707-537-6586

### COLORADO

CUSTOM RAILWAY SUPPLY  
COLORADO SPRINGS  
719-634-4616

MIZELL TRAINS INC  
WESTMINSTER  
303-429-4811

### CONNECTICUT

NEW ENGLAND HOBBY  
SUPPLY  
MANCHESTER  
860-646-0610

### DELAWARE

K R R B MODEL TRAINS INC.  
NEWARK  
302-292-2779

### FLORIDA

HOLLYWOOD STATION  
HOLLYWOOD  
954-921-2700

DEPOT HOBBY SHOP  
LAKE WORTH  
561-585-1982  
READY TO ROLL  
MIAMI  
305-688-8868

FRANK'S TRAINS & HOBBIES  
INC.  
OLDSMAR  
813-855-1041

COLONIAL PHOTO & HOBBY  
ORLANDO  
407-841-1485

WARRICK CUSTOM HOBBIES  
PLANTATION  
954-370-0708

ROUNDHOUSE SOUTH  
PORT ORANGE  
386-304-7002

### ILLINOIS

BIKE & CHOO CHOO  
CONNECTION  
SCHAUMBURG  
847-882-7728

### INDIANA

Y. O. R. K. TRAINS  
MUNSTER  
219-838-9999

SAMUELSON'S TRAIN SHOP  
VALPARAISO  
219-462-2708

### IOWA

CABOOSE STOP HOBBIES  
CEDAR FALLS  
800-642-7012

**KENTUCKY**

L & N TRAINS & THINGS  
LOUISVILLE  
502-897-9005

**LOUISIANA**

AMERICA'S TRAIN YARD  
BATON ROUGE  
225-926-5592

**MAINE**

WHEELS, WINGS & THINGS  
LUDLOW  
207-532-6277

**MARYLAND**

PLAZA HOBBY  
CUMBERLAND  
301-729-6424

HOBBYTOWN U S A  
FREDERICK  
301-694-7395

ENGINE HOUSE HOBBIES  
GAITHERSBURG  
301-590-0816

J & B TRAINS  
HAGERSTOWN  
240-420-4930

THE TRAIN ROOM  
HAGERSTOWN  
301-745-6681

PURKEY'S TOY TRAINS  
SYKESVILLE  
410-549-6061

CATOCTIN MOUNTAIN TRAINS  
THURMONT  
301-694-8331

N & W TRAIN SHED  
WILLIAMSPORT  
301-223-8801

**MASSACHUSETTS**

NORTHEAST TRAINS  
PEABODY  
978-532-1615  
EAST BAY HOBBIES  
SEEKONK  
508-336-5573

**MICHIGAN**

MICHIGAN MODEL TRAIN  
CENTER  
PINCKNEY  
734-426-1651

BRASSEUR ELECTRIC TRAINS,  
INC.  
SAGINAW  
989-793-4753

**MISSOURI**

SWITCH STAND  
SAINT LOUIS  
314-781-4458

MARK TWAIN HOBBY CENTER  
ST. CHARLES  
636-946-2816

**NEVADA**

RENO RAILS  
RENO  
775-337-6669

**NEW HAMPSHIRE**

RAILROAD SPECIALTIES  
NASHUA  
603-801-0801

TREASURED TOYS  
SALEM  
603-898-7224

**NEW JERSEY**

COUNTRY AND STUFF  
ANDOVER  
973-786-7086

COLUMBUS TRAIN STATION  
COLUMBUS  
609-518-1800

ATLANTIC RAILS  
HAMMONTON  
609-567-8490

GRAND CENTRAL STATION  
KEARNY  
201-955-6200

J & B TRAINS, INC.  
MAPLE SHADE  
856-414-0092

HOBBY SHOP  
MATAWAN  
732-583-0505

HOBBYMASTERS, INC  
RED BANK  
732-842-6020

RIDGEFIELD HOBBY  
RIDGEFIELD  
201-943-2636

TRAINS & THINGS  
TRENTON  
609-883-8790

COAST TRAINS AND  
COLLECTIBLES  
WALL  
732-556-9005

HOLLY BEACH TRAIN DEPOT  
WILDWOOD  
609-522-2379

**NEW YORK**

AURORA RAILS & HOBBIES  
EAST AURORA  
716-652-5718

NASSAU HOBBY CENTER, INC.  
FREEPORT  
516-378-9594

HOBBY WORLD  
MONTICELLO  
845-794-8770

CITY DEPOT, INC.  
NEW HAMPTON  
845-374-3010

AMERICANA STORE  
TIVOLI  
845-757-4246

KROSS HARDWARE  
WEST BABYLON  
631-669-3069

**NORTH CAROLINA**

THE ROUNDHOUSE &  
BACKSHOP  
CARY  
919-465-0810

TRAINS LTD.  
CHARLOTTE  
704-566-9070

DRY BRIDGE STATION  
MOUNT AIRY  
336-786-9811

THE FREIGHT YARD  
SMITHFIELD  
919-934-6229

TRAIN LOFT  
WINSTON-SALEM  
336-760-9817

**OHIO**

GLEN'S TRAIN SHOP  
AKRON  
330-253-6527

E & S TRAINS  
AKRON  
330-745-0785

T & K HOBBY SHOP  
BRIDGEPORT  
740-633-6607

SCHAFFNER'S TRAINS  
CANTON  
330-452-4444

TRAINS-N- THINGS  
CANTON  
330-499-1666

PARMA HOBBY  
CLEVELAND  
216-741-6440

SANDY'S HOBBY'S &  
COLLECTIBLES  
ELYRIA  
440-365-9999

HUDSON TOY, TRAIN &  
HOBBY  
HUDSON  
330-653-2997

CLEARVIEW TRAIN & HOBBY  
LORAIN  
440-277-4488

DIXIE UNION STATION  
MASON  
513-459-0460

DAVIS ELECTRONICS  
MILFORD  
513-831-6425

GRAND PACIFIC JUNCTION  
OLMSTEAD FALLS  
440-235-4777

RICK'S TOY TRAINS  
TOLEDO  
419-478-0171

ERIE RAILWAY DEPOT  
TROY  
937-440-9972

**PENNSYLVANIA**  
AMERICAN HOBBY CENTER  
ALIQUIPPA  
724-378-3930

ALLENTOWN TOY TRAIN  
SERVICE  
ALLENTOWN  
610-821-0740

ON THE RIGHT TRACK  
ALTOONA  
814-942-4345

BUSSINGER TRAINS  
AMBLER  
215-628-2366

YE OLDE TRAIN & CHRISTMAS  
SHOPPE  
BOYERTOWN  
610-369-0755

CHARLEROI SWEEPER  
CENTER  
CHARLEROI  
724-483-3397

CRANBERRY HOBBY DEPOT  
CRANBERRY TWP  
724-776-3640

FAIRCHANCE PHARMACY  
FAIRCHANCE  
724-564-7817

TOY TRAIN STATION  
FEASTERVILLE TREV  
215-322-5182

THE CABOOSE  
LEHIGHTON  
570-386-5352

HOBBY CITY  
McMURRAY  
724-942-2557

THE STATION  
NEW CUMBERLAND  
717-774-7096

FRYER'S STORE  
ORWIGSBURG  
570-366-2258  
CHESTNUT TOYBOX  
PHILADELPHIA  
215-545-0455

TOBY TYLER'S HOBBY  
CENTER  
PITTSBURGH  
412-653-5030

C. T. MC CORMICK HARDWARE  
ZELIENOPE  
724-452-6130

**SOUTH CAROLINA**  
EMERALD TRAIN & HOBBY  
GREENWOOD  
864-223-2247

**TENNESSEE**  
MODEL RAILROAD & HOBBY  
SHOP  
MEMPHIS  
901-384-6500

**TEXAS**  
HOBBY TIME  
AMARILLO  
806.352.9660

RIVERVIEW TRAINS  
ANGLETON  
979-848-3895

GREAT TRAINS & HOBBIES  
LONGVIEW  
903-757-2720

**VIRGINIA**  
LOCUST GROVE TRAINS  
LOCUST GROVE  
540-854-8955

TRAINS, ETC.  
LORTON  
703-550-1779

TRAIN DEPOT  
MANASSAS  
703-335-2216

CHESTERFIELD HOBBIES  
MIDLOTHIAN  
804-379-9091

DAVIS HOBBY SUPPLIES  
PORTSMOUTH  
757-397-1983

TOY TRAIN CENTER  
RICHMOND  
804-288-4475

T S G HOBBIES  
WARRENTON  
540-347-9212

NORGE STATION  
WILLIAMSBURG  
757-564-7623

**WEST VIRGINIA**  
PATRICK'S TRAINS  
WHEELING  
304-232-0714

**WISCONSIN**  
SOMMERFELD'S TRAINS  
BUTLER  
262-783-7797

WOODCRAFTER'S  
BURLINGTON  
262-763-5239

HOBBY OUTLET  
FOND DU LAC  
920-924-3770

G B T V & TRAINS  
GREEN BAY  
920-496-9697

GRAMPA'S TRAIN SHOP  
RICE LAKE  
715-234-2996

THE TRAIN STORE  
WAUKESHA  
262-650-6675