

RAILKING 0-4-0 DOCKSIDE STEAM ENGINE OPERATING INSTRUCTIONS



Thank you for purchasing this RailKing 0-4-0 Dockside Steam Engine. We at MTH Electric Trains take pride in manufacturing quality products like your train, and we hope that you will enjoy it for a long time. The locomotive is easy to operate with any compatible standard AC transformer (see the compatibility chart on page 12), and is completely compatible with most other 3-rail locomotives, rolling stock, and accessories. To ensure the maximum durability and pleasure from this locomotive, please read all the way through these instructions. Remember that a little attention to routine maintenance yields a maximum of trouble-free performance.

Table of Contents

| | |
|--|----|
| SET UP | 3 |
| Transformer Operation | 4 |
| Operating The Locomotive | 4 |
| Special Reverse Unit Options | 5 |
| MAINTENANCE | 6 |
| Oil | 6 |
| Grease | 7 |
| Locomotive Lamp Replacement | 8 |
| Proto Smoke Unit Operation and Maintenance | 9 |
| COMPATIBILITY | 10 |
| TRANSFORMER COMPATIBILITY CHART | 11 |
| SAFTEY & WARNING PRECAUTIONS | 12 |
| SERVICE AND WARRANTY INFORMATION | 13 |
| AUTHORIZED SERVICE CENTER LIST | 14 |

Set Up

There are a few simple steps you must take before operating this RailKing steamer.

- You should prime the operating smoke unit with smoke fluid before operating. Add 15-20 drops of smoke fluid through the smokestack, then gently blow into the stack to eliminate any air bubbles in the fluid. See Fig. 5.
- If you choose not to prime the unit with fluid, turn the smoke unit switch located under the engine to the OFF position (Fig. 6). Running the engine without a primed smoke unit may cause damage. See the “ProtoSmoke Unit Operation” section of this book for more information on smoke unit maintenance.
- You should lubricate all side rods and linkage components and pickup rollers to prevent them from squeaking. Lightly grease the drive gears (marked “G” in Fig. 3 on page 7) to prevent them from squeaking. Use light household oil and follow the lubrication points (marked “L” in Fig. 2 on page 6). Do not over-oil. Use only a drop or two on each pivot point.
- Put your engine on the track.

At this point, you are ready to begin running your engine.

Transformer Operation

Button Functions:

Bell: No Function

Horn/Whistle: Press to activate the mechanical whistle

Direction: Press to stop motion of train and press again to change direction

Operating The Locomotive

Advance the transformer throttle. The locomotive's light will come on and the engine should now proceed in the forward direction. At this point, advancing the throttle further will allow the engine to pick up speed, reducing the throttle will slow the engine down. Turning the throttle OFF and then back ON will park the engine into neutral. Cycling the throttle OFF and then back ON again one more time will allow the locomotive to enter reverse.

Tip: An alternative method to using the throttle to enter the next reverse unit state is to press the direction button. When depressed, the transformer interrupts all power to the track. Releasing the button reapplies power to the track at whatever voltage level the transformer throttle is set at.

*Note: Pressing the bell button will have no effect on your set engine because your locomotive is not equipped with a bell. Only locomotives equipped with full digital sound systems (which feature engine sounds, horns, bells, air-release sound effects, squeaking brakes and many other locomotive related sound effects) can utilize the bell button.

Special Reverse Unit Options

Locking Out The Reverse Unit Into A Single Direction

Your locomotive's electronic reverse unit may be locked out into one of three positions; forward, neutral or reverse. Locking the engine into one of these three positions prevents the locomotive from cycling through the reverse unit phases and is useful for operators employing block signal operations on their layout. Once locked into a position, turning the throttle OFF and then ON again will not allow the engine to enter the next reverse unit phase and instead keeps the engine in the current locked direction.

To lock the engine into one of the three positions, simply enter that position using the transformer throttle or direction button. Once in the desired direction, remove the locomotive from the track and slide the ON/OFF switch located on the bottom of the engine (See Figure 1) to the OFF position. This locks the engine into the desired direction. Sliding the switch back to the ON position resets the reverse unit into its normal cycling phases.

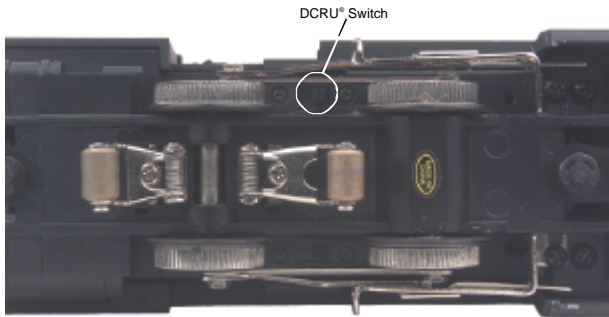


Figure 1. Location of the DCRU Lock-Out Switch

Maintenance Instructions

Proper locomotive performance requires regular attention to lubrication. The following guidelines should be followed to ensure that your locomotive lasts for many years of operation

Oil

Before operating the locomotive, apply a small drop of oil to lubricate the side rods and pick up rollers. Use light household oil and apply sparingly only to the points indicated by Figure 2. Wipe away any excess, especially if oil spills onto the finish of the locomotive. To prevent accidental scratches or other damage to the locomotive shell while you are working, you may want to place the locomotive in a repair cradle or an old towel or other cloth folded to provide a firm but soft resting place.

Check the locomotive oiling points periodically to be sure they are moving freely and quietly. If they are not, apply a small amount of oil again. Also check the locomotive wheels for dirt build-up that can cause performance problems. Such dirt build-up can interfere with electrical contacts, reduce traction (especially on elevated track sections.)

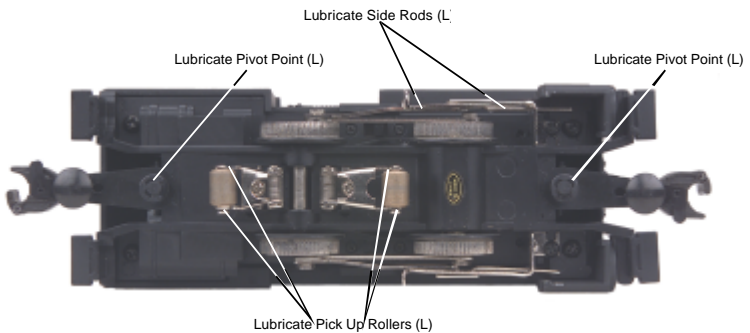


Figure 2. Lubrication Points on the Locomotive

Grease

Grease should be added to the internal drive gears annually or after every 50 hours of operation. Grease can be added by inserting grease into the gear box inside the locomotive chassis. In order to access the gear box, the boiler must be removed from the chassis by unscrewing the four chassis screws as seen in Figure 3 below. Once the boiler is removed, the gear box can be opened up by unscrewing the three screws on the plate located in front of the motor. Grease can then be applied into the gear box using a grease tube dispenser.

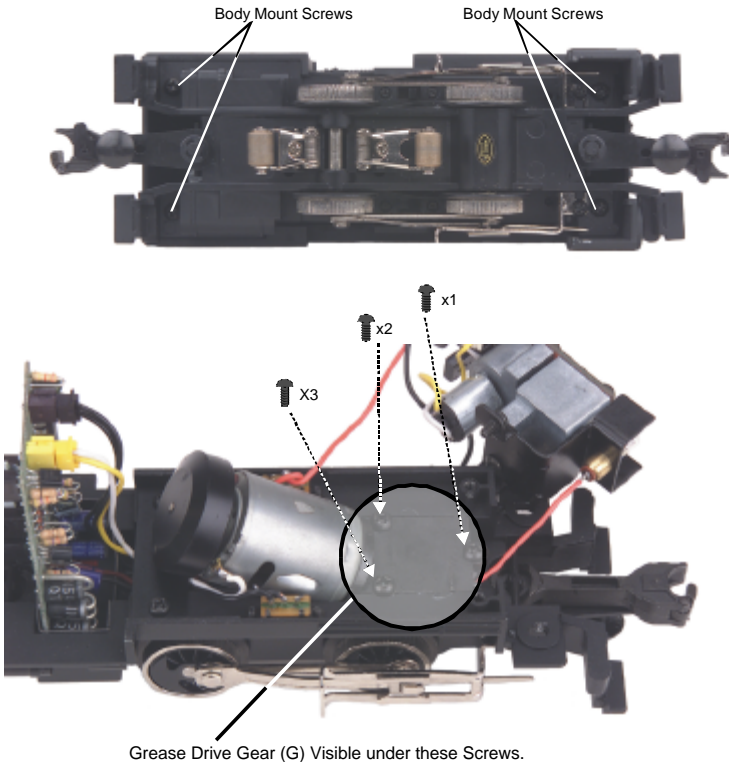


Figure 3. Locations of the Body Mounting Screws and Adding Grease to the Gear Box

Lamp Replacement

The light in your locomotive may occasionally burn out during normal operation. Should this occur, you will need to remove the boiler from the chassis in order to replace the burned out bulb.

To remove the 0-4-0 locomotive boiler from its chassis, follow the body removal instructions (see figure 3). Once the body has been removed, rotate the headlight bulb counter-clockwise as seen in Figure 4 to remove.

You can obtain replacement bulbs directly from the M.T.H. Parts Department.

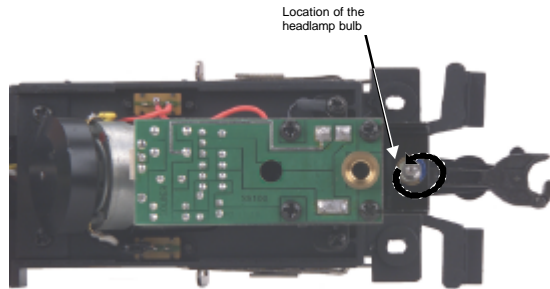


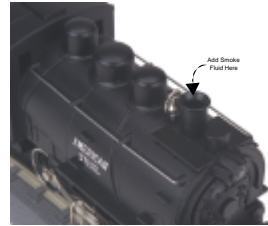
Figure 4. Replacing the Locomotive's Headlamp

ProtoSmoke® Unit Operation

This steam locomotive contains a smoke unit that outputs smoke through the smokestack on the boiler of the engine. The smoke unit is essentially a small heating element and wick that soaks up and then heats a mineral oil-based fluid that emits a harmless smoke. The smoke is then forced out of the stack by a small electric fan.

With a few easy maintenance steps, you should enjoy trouble-free smoke unit operation for years.

- When preparing to run this engine, add 15-20 drops of smoke fluid through the smokestack (see Fig. 5). We recommend M.T.H. ProtoSmoke, Seuthe, LGB, or LVTS fluids (a small pipette of ProtoSmoke fluid is included). Do not overfill the unit or the fluid may leak out and coat the interior engine components.



- If you choose not to add the fluid (or have already added the fluid but choose to run smoke-free), turn off the smoke unit switch located under the engine body (see Fig. 6). Failure either to add fluid to the unit or to turn it off may damage the smoke unit heating element and/or wicking material.

Figure 5. Adding Smoke Fluid to the Engine

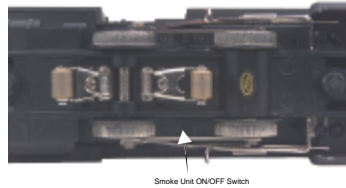


Figure 6. Smoke Unit ON/OFF Switch

- When the smoke output while running the engine begins to diminish, add another 10-15 drops of smoke fluid or turn the smoke unit off.

- When storing the unit for long periods of time, you may want to add about 15 drops of fluid to prevent the wick from drying out.

- After removing the engine from storage, add another 25 drops of fluid, letting the wick soak up the fluid for 15 minutes prior to operation.

If you experience poor or no smoke output when the smoke unit is on and has fluid, check the wick to see if it has become hard, blackened, and unabsorbent around the heating element. Remove the smoke unit inspection cover from the smoke unit (see Fig. 7). After removing the chassis and inspection cover screws, lift the inspection plate away and inspect the wick. If it is darkly discolored and hard, it should be replaced.

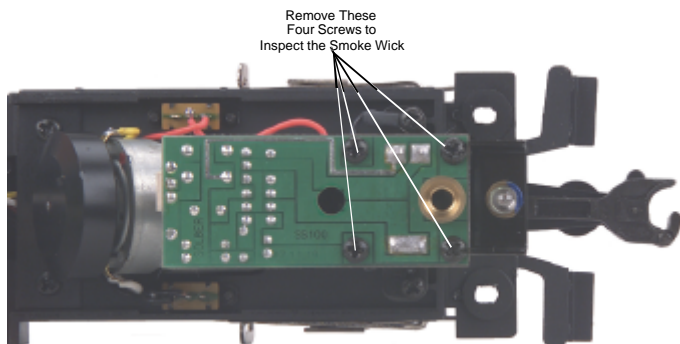


Figure 7. Removing the Smoke Unit Cover

You can obtain replacement parts directly from the M.T.H. Parts Department.

Compatibility

This engine will operate on any traditional O-31 or larger O Gauge track system, including M.T.H.'s RealTrax[®] or ScaleTrax[™] or traditional tubular track. It is also compatible with most standard AC transformers. (See page 12 for a complete list of compatible transformers and wiring instructions.)

Transformer Compatibility and Wiring Chart

The 0-4-0 locomotive reverse unit is designed to work with any standard AC transformer. The chart below lists many of the compatible transformers and how the terminals on these compatible transformers should be attached to your layout.

| Transformer Model | Center Rail | Outside Rail | Min/Max. Voltage | Power Rating | Transformer Type |
|---------------------------------------|------------------------|-----------------------|------------------|--------------|------------------|
| MTHZ-500 | Red Terminal | Black Terminal | 0-18v | 50-Watt | Electronic |
| MTHZ-750 | Red Terminal | Black Terminal | 0-21v | 75-Watt | Electronic |
| MTH Z-4000 | Red Terminal | Black Terminal | 0-22v | 390-Watt | Electronic |
| Lionel 1032 | U | A | 5-16v | 90-Watt | Standard |
| Lionel 1032M | U | A | 5-16v | 90-Watt | Standard |
| Lionel 1033 | U | A | 5-16v | 90-Watt | Standard |
| Lionel 1043 | U | A | 5-16v | 90-Watt | Standard |
| Lionel 1043M | U | A | 5-16v | 90-Watt | Standard |
| Lionel 1044 | U | A | 5-16v | 90-Watt | Standard |
| Lionel 1053 | U | A | 8-17v | 60-Watt | Standard |
| Lionel 1063 | U | A | 8-17v | 60-Watt | Standard |
| All-Trol | Left Terminal | Right Terminal | 0-24v | 300-Watt | Electronic |
| Dallee Hostler | Left Terminal | Right Terminal | | | Electronic |
| Lionel LW | A | U | 8-18v | 75-Watt | Standard |
| Lionel KW | A or B | U | 6-20v | 190-Watt | Standard |
| Lionel MW | Outside Track Terminal | Inside Track Terminal | 5-16v | 50V.A. | Electronic |
| Lionel RS-1 | Red Terminal | Black Terminal | 0-18v | 50V.A. | Electronic |
| Lionel RW | U | A | 9-19v | 110-Watt | Standard |
| Lionel SW | U | A | Unknown | 130-Watt | Standard |
| Lionel TW | U | A | 8-18v | 175-Watt | Standard |
| Lionel ZW | A,B,C or D | U | 8-20v | 275-Watt | Standard |
| Lionel Post-War Celebration Series ZW | A,B,C or D | Common | 0-20v | 135/190 Watt | Electronic |

* Conventional Mode Only

CAUTION: Electrically Operated Product:

Not recommended for children under 10 years of age. M.T.H. recommends adult supervision with children ages 10 - 16. As with all electric products, precautions should be observed during handling and use to reduce the risk of electric shock.

WARNING: When using electrical products, basic safety precautions should be followed including the following:

- Read this manual thoroughly before using this device.

- M.T.H. recommends that all users and persons supervising use examine the hobby transformer periodically for conditions that may result in the risk of fire, electric shock, or injury to persons, such as damage to the primary cord, plug blades, housing, output jacks or other parts. In the event such conditions exist, the transformer should not be used until properly repaired.

- As with all electrical appliances, this product should not be left in operation when unattended.

Service & Warranty Information

How to Get Service Under the Terms of the Limited One-Year Warranty

For warranty repair, follow the instructions below to obtain warranty service.

First, e-mail, write, call or fax an Authorized M.T.H. Service Center in your area or M.T.H. Electric Trains to obtain Repair Authorization. You can find the list of Authorized Service Centers on the M.T.H. website, www.mth-railking.com. Authorized Service Centers are required only to make warranty repairs on items sold from that store; all other repairs may or may not be done at the store's own discretion. Otherwise, contact M.T.H. (fill out the Service Contact form in the Service Section of www.mth-railking.com; send US mail to the address listed below; tel: 410-381-2580; fax: 410-423-0009), stating when the item was purchased and describing the problem. If you contact M.T.H., you will be given a return authorization number to assure that your merchandise will be properly handled upon its receipt.

CAUTION: Make sure the product is packed in its original factory packaging including its foam and plastic wrapping material so as to prevent damage to the merchandise. The shipment must be prepaid and we recommend that it be insured. *A cover letter including your name, address, daytime phone number, e-mail address (if available), Return Authorization number, a copy of your sales receipt and a full description of the problem must be included to facilitate the repairs. Please include the description regardless of whether you discussed the problem with a service technician when contacting the Service Center or M.T.H. for your Return Authorization.*

Please make sure you have followed the instructions carefully before returning any merchandise for service.

Limited One-Year Warranty

All M.T.H. products purchased from an Authorized M.T.H. Train Merchant are covered by this warranty.

See our website at www.mth-railking.com or call 1-888-640-3700 to identify an Authorized M.T.H. Train Merchant near you.

M.T.H. products are warranted for one year from the date of purchase against defects in material or workmanship, excluding wear items such as light bulbs, pick-up rollers, batteries, smoke unit wicks, and traction tires. We will repair or replace (at our option) the defective part without charge for the parts or labor, if the item is returned to an Authorized M.T.H. Service Center or M.T.H. Electric Trains within one year of the original date of purchase. This warranty does not cover damages caused by improper care, handling, or use. Transportation costs incurred by the customer are not covered under this warranty.

Items sent for repair must be accompanied by a return authorization number, a description of the problem, and a **copy of the original sales receipt from an Authorized M.T.H. Train Merchant**, which gives the date of purchase. If you are sending the item to M.T.H., fill out the Service Contact form in the Service Section of www.mth-railking.com; send US mail to the address listed below; call 410-381-2580, or fax 410-423-0009 to obtain a return authorization number. If you are sending this product to an Authorized Service Center, contact that Center for their return authorization.

This warranty gives you specific legal rights, and you may have other rights that vary from state to state.

Service Department
M.T.H. Electric Trains
7020 Columbia Gateway Drive
Columbia MD 21046-1532



MTH
ELECTRIC TRAINS[®]
AUTHORIZED SERVICE CENTER

7020 Columbia Gateway Dr. - Columbia, MD 21046
Information: 410-381-2580 Fax: 410-381-6122
www.mth-railking.com

PARTICIPATING RETAILER LIST

ALABAMA

SOUTHERLANDSTATION
HUNTSVILLE
256-533-4720
railway@bellsouth.net

ARIZONA

ARIZONA TRAIN DEPOT
MESA
480-833-9486
sales@arizonatrainedepot.com
www.arizonatrainedepot.com/

CALIFORNIA

DOLLHOUSES, TRAINS & MORE
NOVATO
415-883-0388
kbecker@cmc.net

TIN PLATE JUNCTION
OAKLAND

510-444-4780
TOYTRAINS@email.msn.com

COLORADO

MIZELL TRAINS Inc.
WESTMINSTER
303-429-4811
mizelltrains@cs.com
www.mizelltrains.com

CONNECTICUT

SHELTON RAILROAD SYSTEMS
SHELTON
203-924-8761
adriani@clearlight.com
NEW ENGLAND HOBBY SUPPLY
MANCHESTER
860-646-0610
bobbell@nehobby.com

DELAWARE

K R R B MODEL TRAINS INC.
NEWARK
302-292-2779
info@krrb.com
www.krrb.com

FLORIDA

DEPOT HOBBY SHOP
LAKE WORTH
561-585-1982
jimmy11982@aol.com
www.depotobbies.com

COLONIAL PHOTO & HOBBY

ORLANDO
817-841-1485
trains@colonialphotoandhobby.com

WARRICK CUSTOM HOBBIES

PLANTATION
415-370-0708
info@warrickcustomhobbies.com
www.warrickcustomhobbies.com

FRANK'S TRAINS & HOBBIES INC.

OLDSMAR
813-855-1041
FTH@allhobbies.com
www.allhobbies.com

READY TO ROLL

M I A M I
305-688-8868
rtrtrains@aol.com
www.readytorolltrains.com

ILLINOIS

BIKE & CHOO CHOO CONNECTION
SCHAUMBURG
847-882-7728
trainconnection@aol.com

INDIANA

Y. O. R. K. TRAINS
MUNSTER
219-838-9999
yorktrains@aol.com

SAMUELSON'S TRAIN SHOP

VALPARAISO
219-462-2708

LOUISIANA

AMERICA'S TRAIN YARD
BATON ROUGE
225-926-5592

MAINE

WHEELS, WINGS & THINGS
LUDLOW
207-532-6277
irc44@javanel.com

MARYLAND

ENGINE HOUSE HOBBIES
GAITHERSBURG
301-590-0816
lucieceise@aol.com

J & B TRAINS
HAGERSTOWN
240-420-4930

HOBBYTOWN U S A
FREDERICK
301-694-7395

PURKEY'S TOY TRAINS

SYKESVILLE
410-549-6061
wiley@oldmainline.com

THE TRAIN ROOM

HAGERSTOWN
301-745-6681

MASSACHUSETTS

NORTHEAST TRAINS
PEABODY
978-532-1615
www.netrains.com

MICHIGAN

BRASSEUR ELECTRIC TRAINS INC.
SAGINAW
517-793-4753
bob@traindoctor.com
www.traindoctor.com

MISSOURI
SWITCH STAND
SAINT LOUIS
314-781-4458
r41877@earthlink.com

MARK TWAIN HOBBY CENTER
ST. CHARLES
636-946-2816
webmaster@hobby1.com
www.hobby1.com

NEW HAMPSHIRE
TREASURED TOYS
SALEM
603-898-7224
ttoys@treasured-toys.com
www.treasured-toys.com

RAILROAD SPECIALTIES
HUDSON
603-882-5566
crew@electric-trains.com
www.electric-trains.com

NEW JERSEY
TRAINS & THINGS
TRENTON
609-883-8790
trainsanthings@aol.com

GRAND CENTRAL STATION
KEARNY
201-955-6200
228gene@gateway.com

HOBBYMASTERS, INC
RED BANK
732-842-6020
hobbymasters@hobbymasters.com

HOLLY BEACH TRAIN DEPOT
WILDWOOD
609-522-2379
larry@pro-usa.net

COAST TRAINS AND COLLECTIBLES
WALL
732-556-9005
coasttrain@aol.com
www.coasttrains.com

J & B TRAINS, INC.
MAPLE SHADE
856-414-0092
BASE1130@aol.com

HOBBY SHOP
MATAWAN
732-583-0505
hobbyshopnj.com

ATLANTIC RAILS
HAMMONTON
609-567-8490
bobcap@pics.com
www.atlanticrails.com

COUNTRY AND STUFF
ANDOVER
973-786-7086
stuff@crystal.palace.net

RIDGEFIELD HOBBY
RIDGEFIELD
201-943-2636

COLUMBUS TRAIN STATION
COLUMBUS
609-518-1800

NEW YORK
AURORA RAILS & HOBBIES
EAST AURORA
716-652-5718
rk82141@aol.com

AMERICANA STORE
TIVOLI
845-757-4246
mthdepot@valstar.net

NASSAU HOBBY CENTER, INC.
FREEPORT
516-378-9594
Charlienassau@aol.com

KROSS HARDWARE
WEST BABYLON
631-669-3069
1989@aol.com

CITY DEPOT, INC.
NEW HAMPTON
845-374-3010
citydepot@frontiernet.net
www.citydepot.com

NORTH CAROLINA
DRY BRIDGE STATION
MOUNT AIRY
336-786-9811
mikek@drybridgestation.com
www.drybridgestation.com

THE FREIGHT YARD
SMITHFIELD
919-934-6229
disbissette@aol.com

TRAINS LTD.
CHARLOTTE
704-566-9070
modelrrs@bellsouth.net
www.trainsltd.com

THE ROUNDHOUSE & BACKSHOP
CARY
919-465-0810

OHIO
DIXIE UNION STATION
MASON
513-459-0460
rockylane@core.net
www.dixieunionstation.com

RICK'S TOY TRAINS
TOLEDO
419-478-0171

T & K HOBBY SHOP
BRIDGEPORT
740-633-6607
salea@tkhobbies.com
www.tkhobbies.com

TRAINS-N- THINGS
CANTON
330-499-1666
trains@sssnet.com

PARMA HOBBY
CLEVELAND
216-741-6440
info@parmahobby.com

GLEN'S TRAIN SHOP
AKRON
330-253-6527

E & S TRAINS
AKRON
330-745-0785

GRAND PACIFIC JUNCTION
OLMSTEAD FALLS
440-235-4777
gpjmr@juno.com
HUDSON TOY, TRAIN & HOBBY
HUDSON
330-653-2997
ejpickens@aol.com

DAVIS ELECTRONICS
MILFORD
513-831-6425
davistrains@fuse.net
www.davistrains.com

SANDY'S HOBBY'S & COLLECTIBLES
ELYRIA
440-365-9999
sandyshobb@aol.com

ERIE RAILWAY DEPOT
TROY
937-440-9972
orvile@gte.net

CLEARVIEW TRAIN & HOBBY
LORAIN
440-277-4488
klogar@erienet.net
www.clearviewtrainandhobby.com

PENNSYLVANIA
FAIRCHANCE PHARMACY
FAIRCHANCE
724-564-7817
mhdealer@aol.com
www.hhs.net/fairchance

THE STATION
NEW CUMBERLAND
717-774-7096
station@paonline.com
BUSSINGER TRAINS
AMBLER
215-628-2366
choochoos@icdc.com
www.icdc.com/~btrains

CHARLEROI SWEEPER CENTER
CHARLEROI
724-483-3397

AMERICAN HOBBY CENTER
ALQUIPPA
724-378-3930
american@icubed.com

CRANBERRY HOBBY DEPOT
CRANBERRY TWP
724-776-3640
JAdams6113@aol.com

ALLENTOWN TOY TRAIN SERVICE
ALLENTOWN
610-821-0740

ON THE RIGHT TRACK
ALTOONA
814-942-4345

JIM'S TRAIN SHOP
HOMER CITY
724-479-2026
sudsy@stargate.net

YE OLDE TRAIN & CHRISTMAS
SHOPPE
BOYERTOWN
610-369-0755
www.yeoldetrain.com

TOBY TYLER'S HOBBY CENTER
PITTSBURGH
412-653-5030
tobytyler111@cs.com

BUSTLETON TRAIN SHOP
PHILADELPHIA
215-698-7266

CHESTNUT TOYBOX
PHILADELPHIA
215-545-0455
chestnuttoy@earthlink.net

THE CABOOSE
LEHIGHTON
570-386-5352
www.thecaboosehobbies.com
victen@ptd.net

SOUTH CAROLINA
EMERALD TRAIN & HOBBY
GREENWOOD
864-223-2247

TENNESSEE
MODEL RAILROAD & HOBBY SHOP
MEMPHIS
901-384-6500
mrhs99@earthlink.net
www.modelrailroadandhobby.com

TEXAS
HOBBY TIME
AMARILLO
806.352.9660
don.l.harris.@hobby-time.com

VIRGINIA
TRAIN DEPOT
MANASSAS
703-335-2216

NORGE STATION
WILLIAMSBURG
757-564-7623
norgetrains@cs.com

NUTBUSH EXPRESS
VICTORIA
804-696-1902
thenutbushexp@meckcom.net

TOY TRAIN CENTER
RICHMOND
804-288-4475

T S G HOBBIES
WARRENTON
540-347-9212
tripli@mnsinc.com
www.mnsinc.com/tripli/tsg.htm

CHESTERFIELD HOBBIES
MIDLOTHIAN
804-379-9091
chsthobb@erols.com
www.chesterfieldhobbies.com

DAVIS HOBBY SUPPLIES
PORTSMOUTH
757-397-1983
ralph@davishobby.com
www.davishobby.com

LOCUST GROVE TRAINS
LOCUST GROVE
540-854-8955
lgtrains@aol.com
www.locustgrovetrains.com

WEST VIRGINIA
PATRICK'S TRAINS
WHEELING
304-232-0714
trains@patstrains.com
www.patstrains.com

WISCONSIN
SOMMERFELD'S TRAINS
BUTLER
262-783-7797
questions@sommerfelds.com
www.sommerfelds.com

G B T V & TRAINS
GREEN BAY
920-496-9697
rrtycoon@netnet.net

GRAMPA'S TRAIN SHOP
RICE LAKE
715-234-2996
grampastrainsshop@yahoo.com

THE TRAIN STORE
WAUKESHA
262-650-6675

HOBBY OUTLET
FOND DU LAC
920-924-3770
hobby_outlet@hotmail.com

CANADA
ONTARIO
CREDIT VALLEY RAILWAY COMPANY
STREETSVILLE
905-826-1306
CVRCO@globalserve.net
www.cvrco.com

TOY TRAIN WORKSHOP
CUMBERLAND
613-833-3125
info@toytrainworkshop.com
www.toytrainworkshop.com

THE TRAIN ROOM
FERGUS
519-787-3280