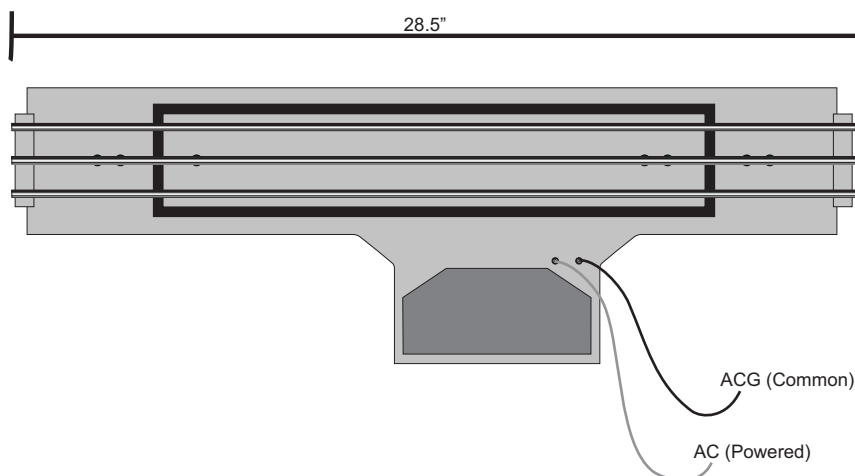


No. 441 Weigh Scale

Item No. 11-90027

LAYOUT:

First, you will need to create a 28 1/2" straight pass of track. In addition, you will need at least 8" of clearance between any parallel lines of track on either side of the weigh scale.



LIGHTING:

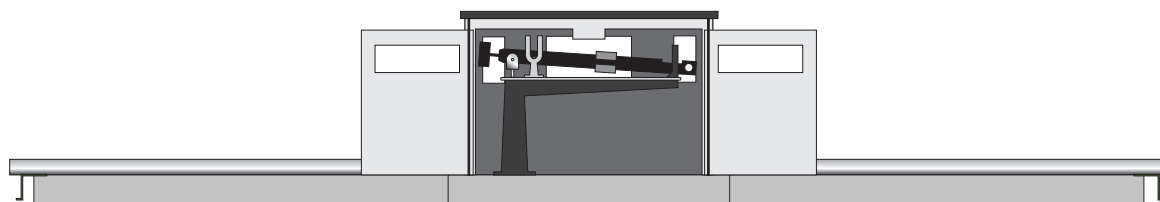
The weigh scale is illuminated by an 18-volt bulb. Connect the AC ground (common) terminal of your transformer to the right side screw terminal (found in front of the house - the terminal does not contain a black fiber insulator).

Connect the AC powered terminal of your transformer to the left side screw terminal.

OPERATION:

Now, you are ready to operate the #441 Weigh Scale.

To weigh your standard gauge models, simply stop them so that the entire model is on the center section of the rails. Position the slide and/or add brass weights until the slide arm is horizontal.



CAUTION: Electrically Operated Product:

Recommended for Ages 14 and up. Not recommended for children under 14 years of age without adult supervision. As with all electric products, precautions should be observed during handling and use to prevent electric shock.

WARNING: When using electrical products, basic safety precautions should be observed, including the following: Read this manual thoroughly before using this device.

- M.T.H. recommends that all users and persons supervising use examine the hobby transformer and other electronic equipment periodically for conditions that may result in the risk of fire, electric shock, or injury to persons, such as damage to the primary cord, plug blades, housing, output jacks or other parts. In the event such conditions exist, the train set should not be used until properly repaired.
- Do not operate your layout unattended. Obstructed accessories or stalled trains may overheat, resulting in damage to your layout.
- This train set is intended for indoor use. Do not use if water is present. Serious injury or fatality may result.
- Do not operate the hobby transformer with damaged cord, plug, switches, buttons or case.

To obtain Warranty Service, please visit our website www.lionelcorporation.com