



HO TRAINS THAT DO MORE

**HO NYC  
(EMPIRE STATE EXPRESS)  
STREAMLINE PASSENGER**

**80-60025-1 80-60026-1**

**80-60027-1 80-60028-1**

**PARTS LIST & EXPLODED VIEW**

REV. 07.2015

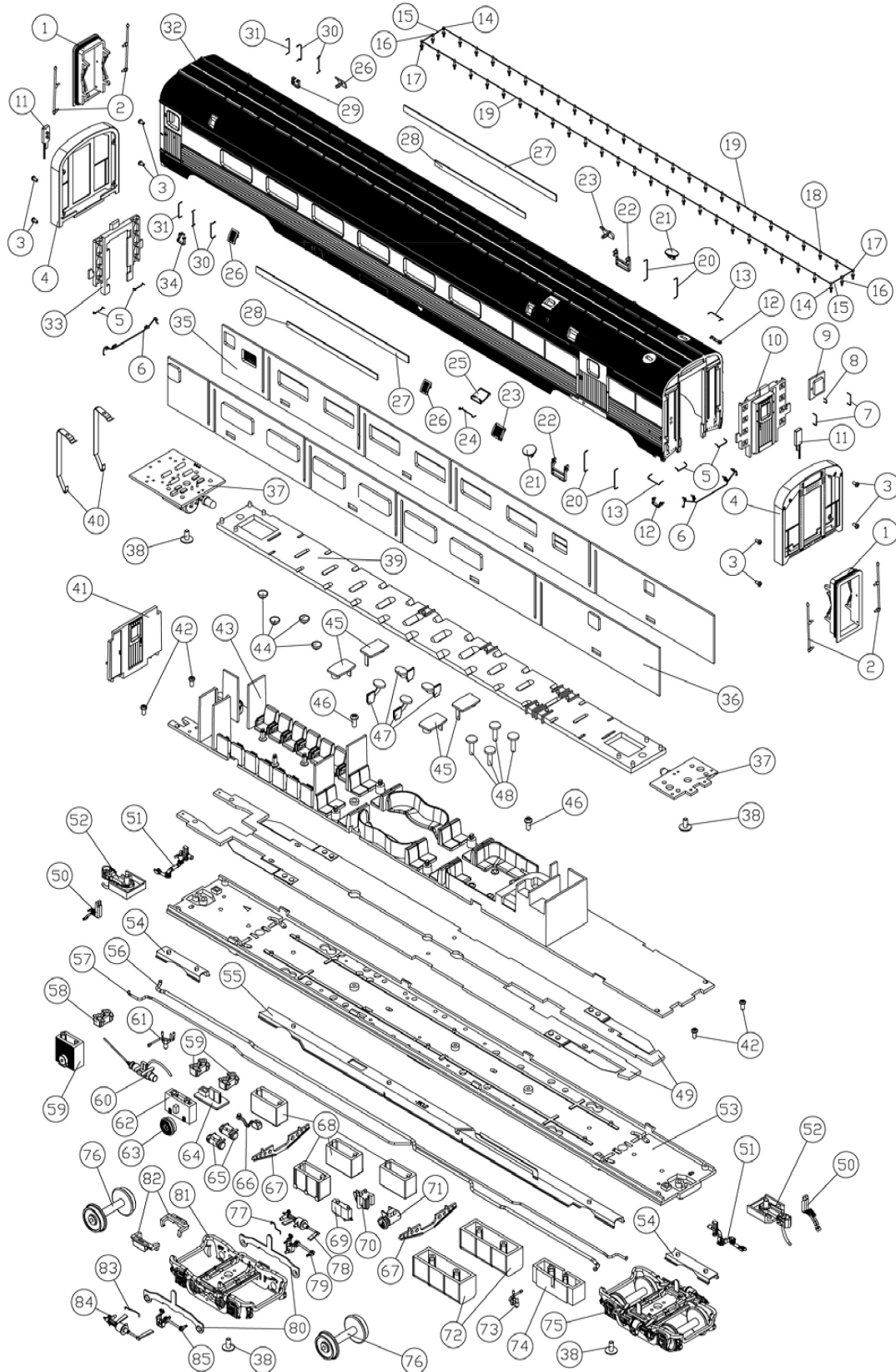
# PARTS LIST: BAGGAGE-TAVERN-LOUNGE

1.) SMALL DIAPHRAGM	<a href="#">FI-7603005001</a>	57.) PIPE WIRE OF LOUNGE.A	<a href="#">GA-7653005084</a>
2.) DIAPHRAGM PIPE	<a href="#">GA-7653005029</a>	58.) REFRIGERATION UNIT	<a href="#">GB-7603005019</a>
3.) SCREW	<a href="#">IA-0000201</a>	59.) ENGINE GENERATOR 1	<a href="#">GB-7603005006</a>
4.) BIG DIAPHRAGM GROUP	<a href="#">FI-7603005002</a>	60.) GENERATOR 2	<a href="#">GB-7603005009</a>
5.) HANDRAIL AT DOOR BOTTOM	<a href="#">GA-7643005032</a>	61.) AIR VENT PIPE 2	<a href="#">GA-7603005058</a>
6.) LIFT BAR	<a href="#">GA-7643005033</a>	62.) ICE ENGINE	<a href="#">GB-7603005011</a>
7.) HANDRAIL AT END DOOR TOP	<a href="#">GA-7643005030</a>	63.) PART FOR ICE ENGINE	<a href="#">GB-7603005010</a>
8.) HANDRAIL AT END DOOR BOTTOM	<a href="#">GA-7643005031</a>	64.) BASE FOR GENERATOR	<a href="#">GB-7603005007</a>
9.) WINDOW AT END DOOR	<a href="#">FA-7643005002</a>	65.) A.P.W.S RESERVOIR	<a href="#">GB-7603005016</a>
10.) END DOOR&WALL	<a href="#">GB-7643005001</a>	66.) PART FOR GENERATOR	<a href="#">GA-7603005040</a>
11.) HANDWHEEL BOX	<a href="#">GA-7603005053</a>	67.) CHASSIS STRIP	<a href="#">GB-7603005013</a>
12.) LADDER 2	<a href="#">GA-7653005027</a>	68.) BATTERY BOX	<a href="#">GB-7603005012</a>
13.) HANDRAIL AT SIDE FRONT	<a href="#">GA-7653005028</a>	69.) CONTROL VALVE	<a href="#">GB-7603005018</a>
14.) ANTENNA HOLDERS AT ROOF 2	<a href="#">GA-7603005013</a>	70.) CONTROL VALVE 2	<a href="#">GB-7603005015</a>
15.) ANTENNA WIRE AT ROOF 2	<a href="#">GA-7603005014</a>	71.) MOTOR GENERATOR	<a href="#">GB-7603005020</a>
16.) ANTENNA HOLDERS AT ROOF 4	<a href="#">GA-7603005016</a>	72.) WATER TANK	<a href="#">GB-7603005021</a>
17.) ANTENNA HOLDERS AT ROOF 3	<a href="#">GA-7603005015</a>	73.) AIR VENT PIPE 1	<a href="#">GA-7603005059</a>
18.) ANTENNA HOLDERS AT ROOF 1	<a href="#">GA-7603005017</a>	74.) EJECTOR CONTROL BOX	<a href="#">GB-7603005014</a>
19.) ANTENNA WIRE AT ROOF 1	<a href="#">GA-7603005018</a>	75.) TRUCKS GROUP	<a href="#">DA-7653005001</a>
20.) HANDRAIL AT SIDE DOOR 1	<a href="#">GA-7623005021</a>	76.) WHEEL GROUP(DC)	<a href="#">DC-7653005001</a>
21.) DETAIL AT ROOF 1	<a href="#">GA-7603005041</a>	77.) TRUCKS PART 2	<a href="#">DB-7603005001</a>
22.) LADDER 7	<a href="#">GA-7603005051</a>	78.) TRUCKS OF CYLINDER L	<a href="#">DB-7603005002</a>
23.) DETAIL AT ROOF 3	<a href="#">GA-7603005026</a>	79.) TRUCKS OF ROD R	<a href="#">DB-7603005003</a>
24.) HANDRAIL AT ROOF 1	<a href="#">GA-7603005067</a>	80.) PICK UP FOR TRUCK	<a href="#">BD-7603005002</a>
25.) DETAIL AT ROOF 2	<a href="#">GA-7603005068</a>	81.) TRUCKS	<a href="#">DB-7603005004</a>
26.) DETAIL AT ROOF 4	<a href="#">GA-7603005022</a>	82.) TABLE 6	<a href="#">GB-7603005022</a>
27.) NEW YORK CENTRAL	<a href="#">GA-7653005024</a>	83.) TRUCKS PART 1	<a href="#">DB-7603005005</a>
28.) GROVER CLEVELAND	<a href="#">GA-7603005080</a>	84.) TRUCKS OF CYLINDER R	<a href="#">DB-7603005006</a>
29.) LADDER 8R	<a href="#">GA-7613005061</a>	85.) TRUCKS OF ROD L	<a href="#">DB-7603005007</a>
30.) HANDRAIL AT SIDE DOOR 4	<a href="#">GA-7653005062</a>		
31.) HANDRAIL AT SIDE DOOR 3	<a href="#">GA-7653005063</a>		
32.) BAGGAGE TAVERN LOUNGE BODY	<a href="#">FF-7603005006</a>		
33.) END DOOR FRAME	<a href="#">GB-7643005026</a>		
34.) LADDER 8L	<a href="#">GA-7623005064</a>		
35.) BAGGAGE TAVERN LOUNGE WINDOW R	<a href="#">FA-7613005013</a>		
36.) BAGGAGE TAVERN LOUNGE WINDOW L	<a href="#">FA-7623005014</a>		
37.) PCB GROUP	<a href="#">AG-6603005001</a>		
38.) SCREW	<a href="#">IA-0000000</a>		
39.) ROOF LIGHT BAR	<a href="#">CI-7603005002</a>		
40.) PICKUP PLATE	<a href="#">BD-7643005001</a>		
41.) WALL 2	<a href="#">GB-7643005035</a>		
42.) SCREW	<a href="#">IA-0000000</a>		
43.) BAGGAGE TAVERN LOUNGE FLOOR	<a href="#">GB-7603005039</a>		
44.) TABLE 3	<a href="#">GA-7603005036</a>		
45.) TABLE 4	<a href="#">GA-7603005081</a>		
46.) SCREW	<a href="#">IA-0000000</a>		
47.) TABLE 1	<a href="#">GA-7603005035</a>		
48.) TABLE 5	<a href="#">GA-7603005082</a>		
49.) WEIGHT	<a href="#">II-7603005001</a>		
50.) AIR HOSE GROUP	<a href="#">GA-7653005037</a>		
51.) HEAT PIPE	<a href="#">GA-6603005086</a>		
52.) KADEE COUPLER GROUP	<a href="#">DD-7653005001</a>		
53.) BAGGAGE TAVERN LOUNGE CHASSIS	<a href="#">GB-7603005040</a>		
54.) SHORT BOTTOM BEAM	<a href="#">GB-7603005004</a>		
55.) BAGGAGE TAVERN LOUNGE OF BOTTOM BEAM	<a href="#">GB-7603005041</a>		
56.) PIPE WIRE OF LOUNGE.B	<a href="#">GA-7653005083</a>		

# EXPLODED VIEW: BAGGAGE-TAVERN-LOUNGE

NYC(Empire State Express)Streamline Passenger

Baggage-Tavern-Lounge Exploded Views DC





HO TRAINS THAT DO MORE

**HO NYC  
(EMPIRE STATE EXPRESS)  
STREAMLINE PASSENGER**

**80-60025-1 80-60026-1  
80-60027-1 80-60028-1**

**PARTS LIST & EXPLODED VIEW**

REV. 07.2015

# PARTS LIST: BAGGAGE-MAIL

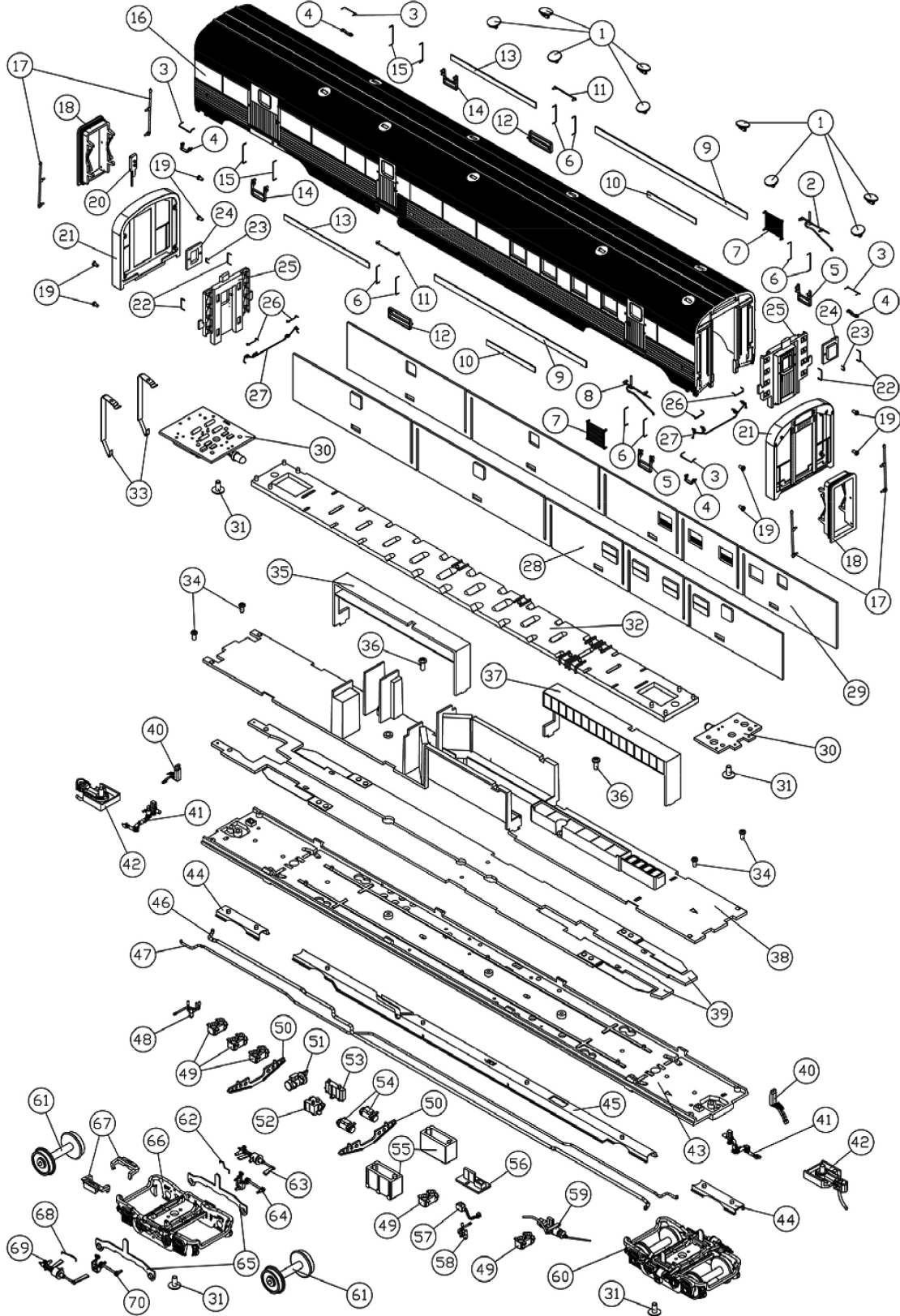
1.) DETAIL AT ROOF 1	<a href="#">GA-7603005041</a>	57.) PART FOR GENERATOR	<a href="#">GA-7603005040</a>
2.) MAIL GRAB HOLDER L	<a href="#">GA-7603005042</a>	58.) AIR VENT PIPE 1	<a href="#">GA-7603005059</a>
3.) HANDRAIL AT SIDE FRONT	<a href="#">GA-7653005028</a>	59.) GENERATOR 2	<a href="#">GB-7603005009</a>
4.) LADDER 2	<a href="#">GA-7653005027</a>	60.) TRUCKS GROUP	<a href="#">DA-7653005001</a>
5.) LADDER 6	<a href="#">GA-7603005043</a>	61.) WHEEL GROUP(DC)	<a href="#">DC-7653005001</a>
6.) HANDRAIL AT SIDE DOOR 2	<a href="#">GA-7603005044</a>	62.) TRUCKS PART 2	<a href="#">DB-7603005001</a>
7.) OUTSIDE GUARD	<a href="#">GA-7603005045</a>	63.) TRUCKS OF CYLINDER L	<a href="#">DB-7603005002</a>
8.) MAIL GRAB HOLDER R	<a href="#">GA-7613005046</a>	64.) TRUCKS OF ROD R	<a href="#">DB-7603005003</a>
9.) NEW YORK CENTRAL	<a href="#">GA-7653005024</a>	65.) PICK UP FOR TRUCK	<a href="#">BD-7603005002</a>
10.) UNITED STATES MAIL RAILWAY POST OFFICE	<a href="#">GA-7653005047</a>	66.) TRUCKS	<a href="#">DB-7603005004</a>
11.) HANDRAIL OF DOOR	<a href="#">GA-7603005048</a>	67.) TABLE 6	<a href="#">GB-7603005022</a>
12.) LADDER 4	<a href="#">GA-7603005049</a>	68.) TRUCKS PART 1	<a href="#">DB-7603005005</a>
13.) ALONZOB.CORNELL	<a href="#">GA-7653005050</a>	69.) TRUCKS OF CYLINDER R	<a href="#">DB-7603005006</a>
14.) LADDER 7	<a href="#">GA-7603005051</a>	70.) TRUCKS OF ROD L	<a href="#">DB-7603005007</a>
15.) HANDRAIL AT SIDE DOOR 1	<a href="#">GA-7603005052</a>		
16.) BAGGAGE MAIL BODY	<a href="#">FF-7603005002</a>		
17.) DIAPHRAGM PIPE	<a href="#">GA-7653005029</a>		
18.) SMALL DIAPHRAGM	<a href="#">FI-7603005001</a>		
19.) SCREW	<a href="#">IA-0000201</a>		
20.) HANDWHEEL BOX	<a href="#">GA-7603005053</a>		
21.) BIG DIAPHRAGM GROUP	<a href="#">FI-7603005002</a>		
22.) HANDRAIL AT END DOOR TOP	<a href="#">GA-7643005030</a>		
23.) HANDRAIL AT END DOOR BOTTOM	<a href="#">GA-7643005031</a>		
24.) WINDOW AT END DOOR	<a href="#">FA-7643005002</a>		
25.) END DOOR&WALL	<a href="#">GB-7643005001</a>		
26.) HANDRAIL AT DOOR BOTTOM	<a href="#">GA-7643005032</a>		
27.) LIFT BAR	<a href="#">GA-7643005033</a>		
28.) BAGGAGE MAIL WINDOW L	<a href="#">FA-7623005005</a>		
29.) BAGGAGE MAIL WINDOW R	<a href="#">FA-7613005006</a>		
30.) PCB GROUP	<a href="#">AG-6603005001</a>		
31.) SCREW	<a href="#">IA-0000000</a>		
32.) ROOF LIGHT BAR	<a href="#">CI-7603005002</a>		
33.) PICKUP PLATE	<a href="#">BD-7643005001</a>		
34.) SCREW	<a href="#">IA-0000000</a>		
35.) BAGGAGE MAIL SHELF R.	<a href="#">GA-7613005054</a>		
36.) SCREW	<a href="#">IA-0000000</a>		
37.) BAGGAGE MAIL SHELF L.	<a href="#">GA-7623005055</a>		
38.) BAGGAGE MAIL FLOOR	<a href="#">GB-7603005023</a>		
39.) WEIGHT	<a href="#">II-7603005001</a>		
40.) AIR HOSE GROUP	<a href="#">GA-7653005037</a>		
41.) HEAT PIPE	<a href="#">GA-6603005086</a>		
42.) KADEE COUPLER GROUP	<a href="#">DD-7653005001</a>		
43.) BAGGAGE MAIL CHASSIS	<a href="#">GB-7603005024</a>		
44.) SHORT BOTTOM BEAM	<a href="#">GB-7603005004</a>		
45.) BAGGAGE MAIL OF BOTT . BEAM	<a href="#">GB-7603005025</a>		
46.) PIPE WIRE OF MAIL B	<a href="#">GA-7653005056</a>		
47.) PIPE WIRE OF MAIL A	<a href="#">GA-7653005057</a>		
48.) AIR VENT PIPE 2	<a href="#">GA-7603005058</a>		
49.) REFRIGERATION UNIT	<a href="#">GB-7603005019</a>		
50.) CHASSIS STRIP	<a href="#">GB-7603005013</a>		
51.) MOTOR GENERATOR	<a href="#">GB-7603005020</a>		
52.) CONTROL VALVE 2	<a href="#">GB-7603005015</a>		
53.) CONTROL VALVE	<a href="#">GB-7603005018</a>		
54.) A.P.W.S RESERVOIR	<a href="#">GB-7603005016</a>		
55.) BATTERY BOX	<a href="#">GB-7603005012</a>		
56.) BASE FOR GENERATOR	<a href="#">GB-7603005007</a>		



# EXPLODED VIEW: BAGGAGE-MAIL

NYC(Empire State Express)Streamline Passenger

Baggage-Mail Exploded Views DC





HO TRAINS THAT DO MORE

**HO NYC  
(EMPIRE STATE EXPRESS)  
STREAMLINE PASSENGER**

**80-60025-1 80-60026-1  
80-60027-1 80-60028-1**

**PARTS LIST & EXPLODED VIEW**

REV. 07.2015

# PARTS LIST: DINER

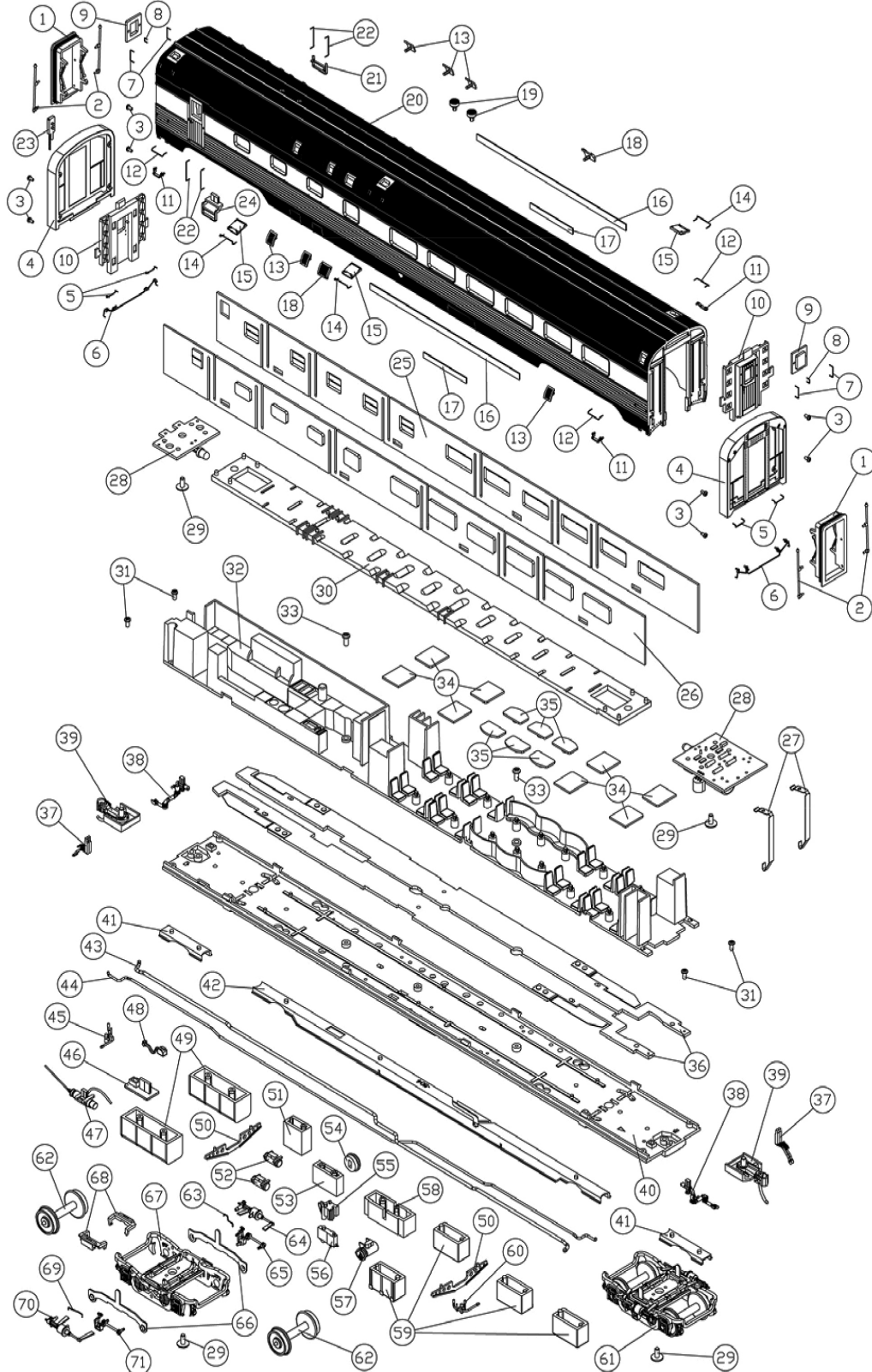
1.) SMALL DIAPHRAGM	<a href="#">FI-7603005001</a>	57.) MOTOR GENERATOR	<a href="#">GB-7603005020</a>
2.) DIAPHRAGM PIPE	<a href="#">GA-7653005029</a>	58.) EJECTOR CONTROL BOX	<a href="#">GB-7603005014</a>
3.) SCREW	<a href="#">IA-0000201</a>	59.) BATTERY BOX	<a href="#">GB-7603005012</a>
4.) BIG DIAPHRAGM GROUP	<a href="#">FI-7603005002</a>	60.) AIR VENT PIPE 2	<a href="#">GA-7603005058</a>
5.) HANDRAIL AT DOOR BOTTOM	<a href="#">GA-7643005032</a>	61.) TRUCKS GROUP	<a href="#">DA-7653005001</a>
6.) LIFT BAR	<a href="#">GA-7643005033</a>	62.) WHEEL GROUP(DC)	<a href="#">DC-7653005001</a>
7.) HANDRAIL AT END DOOR TOP	<a href="#">GA-7643005030</a>	63.) TRUCKS PART 2	<a href="#">DB-7603005001</a>
8.) HANDRAIL AT END DOOR BOTTOM	<a href="#">GA-7643005031</a>	64.) TRUCKS OF CYLINDER L	<a href="#">DB-7603005002</a>
9.) WINDOW AT END DOOR	<a href="#">FA-7643005002</a>	65.) TRUCKS OF ROD R	<a href="#">DB-7603005003</a>
10.) END DOOR&WALL	<a href="#">GB-7643005001</a>	66.) PICK UP FOR TRUCK	<a href="#">BD-7603005002</a>
11.) LADDER 2	<a href="#">GA-7653005027</a>	67.) TRUCKS	<a href="#">DB-7603005004</a>
12.) HANDRAIL AT SIDE FRONT	<a href="#">GA-7653005028</a>	68.) TABLE 6	<a href="#">GB-7603005022</a>
13.) DETAIL AT ROOF 4	<a href="#">GA-7603005022</a>	69.) TRUCKS PART 1	<a href="#">DB-7603005005</a>
14.) HANDRAIL AT ROOF 1	<a href="#">GA-7603005067</a>	70.) TRUCKS OF CYLINDER R	<a href="#">DB-7603005006</a>
15.) DETAIL AT ROOF 2	<a href="#">GA-7603005068</a>	71.) TRUCKS OF ROD L	<a href="#">DB-7603005007</a>
16.) NEW YORK CENTRAL	<a href="#">GA-7653005024</a>		
17.) JOHN JAY	<a href="#">GA-7653005069</a>		
18.) DETAIL AT ROOF 3	<a href="#">GA-7603005026</a>		
19.) DETAIL AT ROOF 5	<a href="#">GA-7603005070</a>		
20.) DINER BODY	<a href="#">FF-7603005004</a>		
21.) LADDER 3	<a href="#">GA-7623005023</a>		
22.) HANDRAIL AT SIDE DOOR 1	<a href="#">GA-7603005052</a>		
23.) HANDWHEEL BOX	<a href="#">GA-7603005053</a>		
24.) LADDER 9	<a href="#">GA-7603005071</a>		
25.) DINER WINDOW L	<a href="#">FA-7623005009</a>		
26.) DINER WINDOW R	<a href="#">FA-7613005010</a>		
27.) PICKUP PLATE	<a href="#">BD-7643005001</a>		
28.) PCB GROUP	<a href="#">AG-6603005001</a>		
29.) SCREW	<a href="#">IA-0000000</a>		
30.) ROOF LIGHT BAR	<a href="#">CI-7603005002</a>		
31.) SCREW	<a href="#">IA-0000000</a>		
32.) DINER FLOOR	<a href="#">GB-7603005032</a>		
33.) SCREW	<a href="#">IA-0000000</a>		
34.) TABLE 7	<a href="#">GA-7603005072</a>		
35.) TABLE 6	<a href="#">GA-7603005075</a>		
36.) WEIGHT	<a href="#">II-7603005001</a>		
37.) AIR HOSE GROUP	<a href="#">GA-7653005037</a>		
38.) HEAT PIPE	<a href="#">GA-6603005086</a>		
39.) KADEE COUPLER GROUP	<a href="#">DD-7653005001</a>		
40.) DINER CHASSIS	<a href="#">GB-7603005033</a>		
41.) SHORT BOTTOM BEAM	<a href="#">GB-7603005004</a>		
42.) DINER OF BOTTOM BEAM	<a href="#">GB-7603005034</a>		
43.) PIPE WIRE OF DINER.B	<a href="#">GA-7653005074</a>		
44.) PIPE WIRE OF DINER.A	<a href="#">GA-7653005075</a>		
45.) AIR VENT PIPE 1	<a href="#">GA-7603005059</a>		
46.) BASE FOR GENERATOR	<a href="#">GB-7603005007</a>		
47.) GENERATOR 2	<a href="#">GB-7603005009</a>		
48.) PART FOR GENERATOR	<a href="#">GA-7603005040</a>		
49.) WATER TANK	<a href="#">GB-7603005021</a>		
50.) CHASSIS STRIP	<a href="#">GB-7603005013</a>		
51.) ENGINE GENERATOR 1	<a href="#">GB-7603005006</a>		
52.) A.P.W.S RESERVOIR	<a href="#">GB-7603005016</a>		
53.) ICE ENGINE	<a href="#">GB-7603005011</a>		
54.) PART FOR ICE ENGINE	<a href="#">GB-7603005010</a>		
55.) CONTROL VALVE 2	<a href="#">GB-7603005015</a>		
56.) CONTROL VALVE	<a href="#">GB-7603005018</a>		



# EXPLODED VIEW: DINER

## NYC(Empire State Express)Streamline Passenger

### Diner Exploded Views DC





HO TRAINS THAT DO MORE

**HO NYC  
(EMPIRE STATE EXPRESS)  
STREAMLINE PASSENGER**

80-60025-1 80-60026-1

80-60027-1 80-60028-1

**PARTS LIST & EXPLODED VIEW**

REV. 07.2015

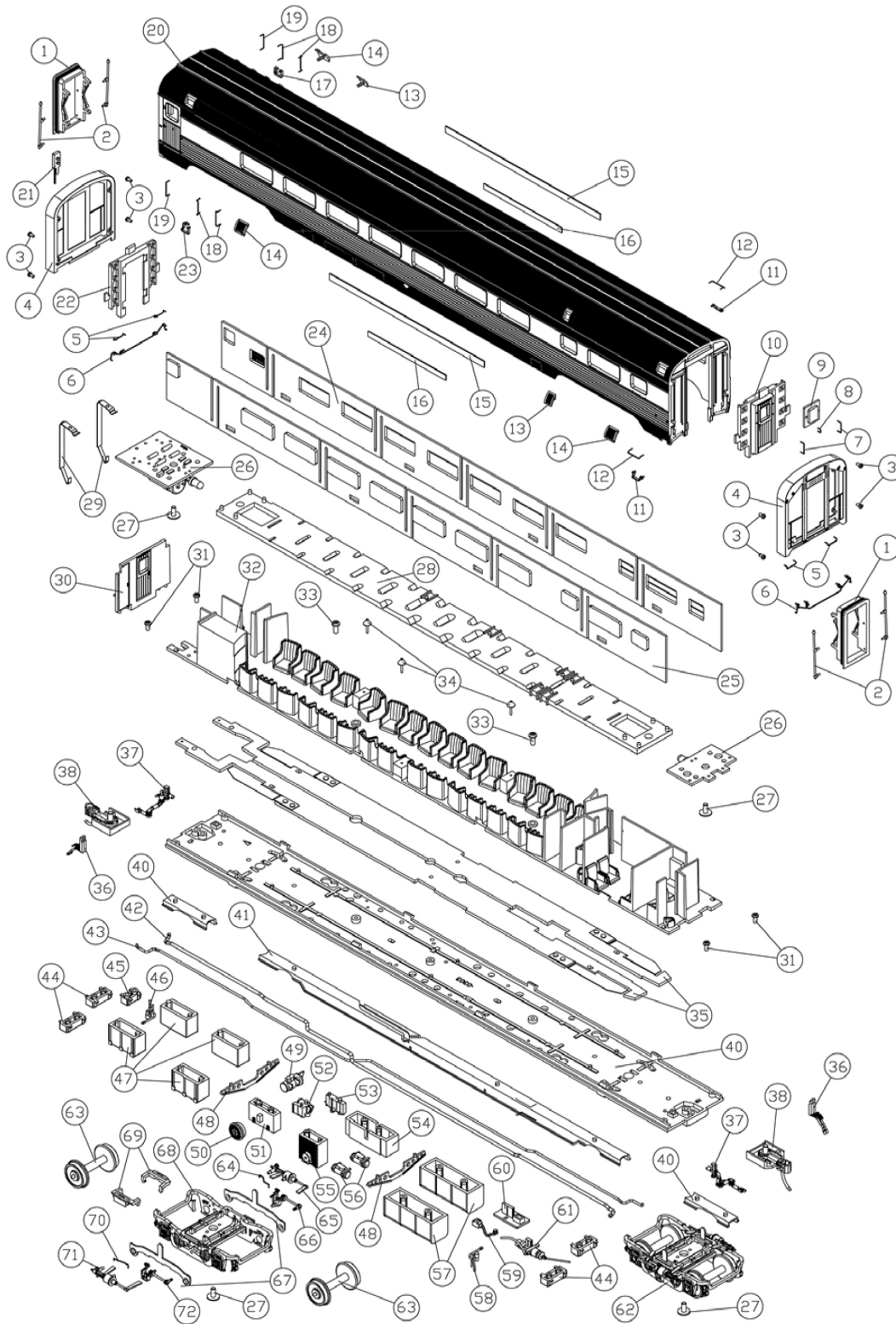
# PARTS LIST: PARLOR

1.) SMALL DIAPHRAGM	<a href="#">FI-7603005001</a>	57.) WATER TANK	<a href="#">GB-7603005021</a>
2.) DIAPHRAGM PIPE	<a href="#">GA-7653005029</a>	58.) AIR VENT PIPE 2	<a href="#">GA-7603005058</a>
3.) SCREW	<a href="#">IA-0000201</a>	59.) PART FOR GENERATOR	<a href="#">GA-7603005040</a>
4.) BIG DIAPHRAGM GROUP	<a href="#">FI-7603005002</a>	60.) BASE FOR GENERATOR	<a href="#">GB-7603005007</a>
5.) HANDRAIL AT DOOR BOTTOM	<a href="#">GA-7643005032</a>	61.) GENERATOR 2	<a href="#">GB-7603005009</a>
6.) LIFT BAR	<a href="#">GA-7643005033</a>	62.) TRUCKS GROUP	<a href="#">DA-7653005001</a>
7.) HANDRAIL AT END DOOR TOP	<a href="#">GA-7643005030</a>	63.) WHEEL GROUP(DC)	<a href="#">DC-7653005001</a>
8.) HANDRAIL AT END DOOR BOTTOM	<a href="#">GA-7643005031</a>	64.) TRUCKS PART 2	<a href="#">DB-7603005001</a>
9.) WINDOW AT END DOOR	<a href="#">FA-7643005002</a>	65.) TRUCKS OF CYLINDER L	<a href="#">DB-7603005002</a>
10.) END DOOR&WALL	<a href="#">GB-7643005001</a>	66.) TRUCKS OF ROD R	<a href="#">DB-7603005003</a>
11.) LADDER 2	<a href="#">GA-7653005027</a>	67.) PICK UP FOR TRUCK	<a href="#">BD-7603005002</a>
12.) HANDRAIL AT SIDE FRONT	<a href="#">GA-7653005028</a>	68.) TRUCKS	<a href="#">DB-7603005004</a>
13.) DETAIL AT ROOF 4	<a href="#">GA-7603005022</a>	69.) TABLE 6	<a href="#">GB-7603005022</a>
14.) DETAIL AT ROOF 3	<a href="#">GA-7603005026</a>	70.) TRUCKS PART 1	<a href="#">DB-7603005005</a>
15.) NEW YORK CENTRAL	<a href="#">GA-7653005024</a>	71.) TRUCKS OF CYLINDER R	<a href="#">DB-7603005006</a>
16.) SAMUELJ.TILDEN	<a href="#">GA-7653005076</a>	72.) TRUCKS OF ROD L	<a href="#">DB-7603005007</a>
17.) LADDER 8R	<a href="#">GA-7613005061</a>		
18.) HANDRAIL AT SIDE DOOR 4	<a href="#">GA-7653005062</a>		
19.) HANDRAIL AT SIDE DOOR 3	<a href="#">GA-7653005063</a>		
20.) PARLOR BODY	<a href="#">FF-7603005005</a>		
21.) HANDWHEEL BOX	<a href="#">GA-7603005053</a>		
22.) END DOOR FRAME	<a href="#">GB-7643005026</a>		
23.) LADDER 8L	<a href="#">GA-7623005064</a>		
24.) PARLOR WINDOW L	<a href="#">FA-7623005011</a>		
25.) PARLOR WINDOW R	<a href="#">FA-7613005012</a>		
26.) PCB GROUP	<a href="#">AG-6603005001</a>		
27.) SCREW	<a href="#">IA-0000000</a>		
28.) ROOF LIGHT BAR	<a href="#">CI-7603005002</a>		
29.) PICKUP PLATE	<a href="#">BD-7643005001</a>		
30.) WALL 2	<a href="#">GB-7643005035</a>		
31.) SCREW	<a href="#">IA-0000000</a>		
32.) PARLOR FLOOR	<a href="#">GB-7603005036</a>		
33.) SCREW	<a href="#">IA-0000000</a>		
34.) LAMP	<a href="#">GA-7603005077</a>		
35.) WEIGHT	<a href="#">II-7603005001</a>		
36.) AIR HOSE GROUP	<a href="#">GA-7653005037</a>		
37.) HEAT PIPE	<a href="#">GA-6603005086</a>		
38.) KADEE COUPLER GROUP	<a href="#">DD-7653005001</a>		
39.) PARLOR CHASSIS	<a href="#">GB-7603005037</a>		
40.) SHORT BOTTOM BEAM	<a href="#">GB-7603005004</a>		
41.) PARLOR OF BOTTOM BEAM	<a href="#">GB-7603005038</a>		
42.) PIPE WIRE OF PARLOR.B	<a href="#">GA-7653005078</a>		
43.) PIPE WIRE OF PARLOR.A	<a href="#">GA-7653005079</a>		
44.) RECEIVER TANK	<a href="#">GB-7603005017</a>		
45.) REFRIGERATION UNIT	<a href="#">GB-7603005019</a>		
46.) AIR VENT PIPE 1	<a href="#">GA-7603005059</a>		
47.) BATTERY BOX	<a href="#">GB-7603005012</a>		
48.) CHASSIS STRIP	<a href="#">GB-7603005013</a>		
49.) MOTOR GENERATOR	<a href="#">GB-7603005020</a>		
50.) PART FOR ICE ENGINE	<a href="#">GB-7603005010</a>		
51.) ICE ENGINE	<a href="#">GB-7603005011</a>		
52.) CONTROL VALVE 2	<a href="#">GB-7603005015</a>		
53.) CONTROL VALVE	<a href="#">GB-7603005018</a>		
54.) EJECTOR CONTROL BOX	<a href="#">GB-7603005014</a>		
55.) ENGINE GENERATOR 1	<a href="#">GB-7603005006</a>		
56.) A.P.W.S RESERVOIR	<a href="#">GB-7603005016</a>		

# EXPLODED VIEW: PARLOR

## NYC(Empire State Express)Streamline Passenger

### Parlor Explored Views DC





HO TRAINS THAT DO MORE

**HO NYC  
(EMPIRE STATE EXPRESS)  
STREAMLINE PASSENGER**

**80-60025-1 80-60026-1**

**80-60027-1 80-60028-1**

**PARTS LIST & EXPLODED VIEW**

REV. 07.2015



# PARTS LIST: COACH

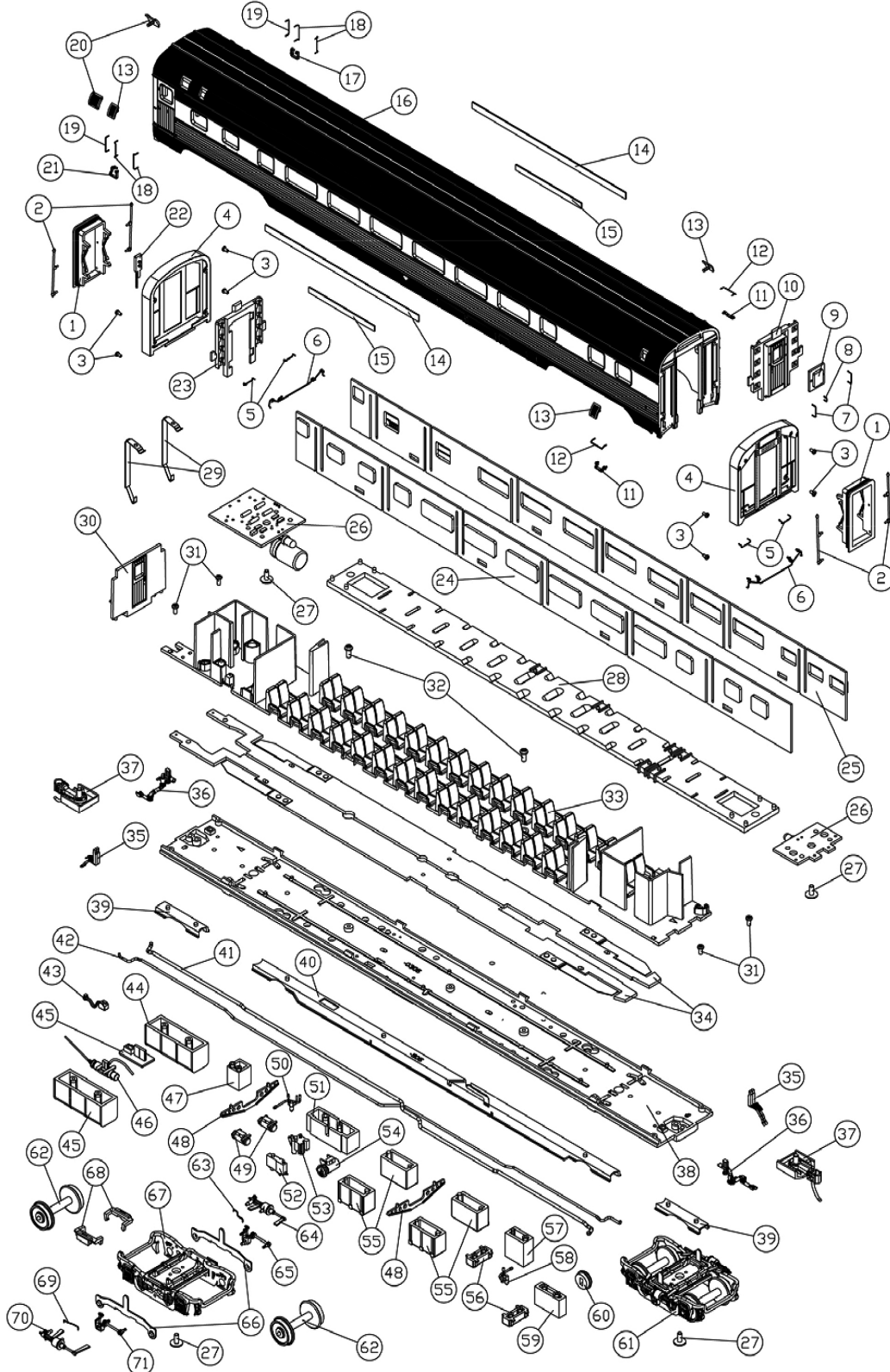
1.) SMALL DIAPHRAGM	<a href="#">FI-7603005001</a>	57.) ENGINE GENERATOR 1	<a href="#">GB-7603005006</a>
2.) DIAPHRAGM PIPE	<a href="#">GA-7653005029</a>	58.) AIR VENT PIPE 1	<a href="#">GA-7603005059</a>
3.) SCREW	<a href="#">IA-0000201</a>	59.) ICE ENGINE	<a href="#">GB-7603005011</a>
4.) BIG DIAPHRAGM GROUP	<a href="#">FI-7603005002</a>	60.) PART FOR ICE ENGINE	<a href="#">GB-7603005010</a>
5.) HANDRAIL AT DOOR BOTTOM	<a href="#">GA-7643005032</a>	61.) TRUCKS GROUP	<a href="#">DA-7653005001</a>
6.) LIFT BAR	<a href="#">GA-7643005033</a>	62.) WHEEL GROUP(DC)	<a href="#">DC-7653005001</a>
7.) HANDRAIL AT END DOOR TOP	<a href="#">GA-7643005030</a>	63.) TRUCKS PART 2	<a href="#">DB-7603005001</a>
8.) HANDRAIL AT END DOOR BOTTOM	<a href="#">GA-7643005031</a>	64.) TRUCKS OF CYLINDER L	<a href="#">DB-7603005002</a>
9.) WINDOW AT END DOOR	<a href="#">FA-7643005002</a>	65.) TRUCKS OF ROD R	<a href="#">DB-7603005003</a>
10.) END DOOR&WALL	<a href="#">GB-7643005001</a>	66.) PICK UP FOR TRUCK	<a href="#">BD-7603005002</a>
11.) LADDER 2	<a href="#">GA-7653005027</a>	67.) TRUCKS	<a href="#">DB-7603005004</a>
12.) HANDRAIL AT SIDE FRONT	<a href="#">GA-7653005028</a>	68.) TABLE 6	<a href="#">GB-7603005022</a>
13.) DETAIL AT ROOF 4	<a href="#">GA-7603005022</a>	69.) TRUCKS PART 1	<a href="#">DB-7603005005</a>
14.) NEW YORK CENTRAL	<a href="#">GA-7653005024</a>	70.) TRUCKS OF CYLINDER R	<a href="#">DB-7603005006</a>
15.) HAMIL TONFISH	<a href="#">GA-7653005060</a>	71.) TRUCKS OF ROD L	<a href="#">DB-7603005007</a>
16.) COACH BODY	<a href="#">FF-7603005003</a>		
17.) LADDER 8R	<a href="#">GA-7613005061</a>		
18.) HANDRAIL AT SIDE DOOR 4	<a href="#">GA-7653005062</a>		
19.) HANDRAIL AT SIDE DOOR 3	<a href="#">GA-7653005063</a>		
20.) DETAIL AT ROOF 3	<a href="#">GA-7603005026</a>		
21.) LADDER 8L	<a href="#">GA-7623005064</a>		
22.) HANDWHEEL BOX	<a href="#">GA-7603005053</a>		
23.) END DOOR FRAME	<a href="#">GB-7643005026</a>		
24.) COACH WINDOW L	<a href="#">FA-7623005007</a>		
25.) COACH WINDOW R	<a href="#">FA-7613005008</a>		
26.) PCB GROUP	<a href="#">AG-6603005001</a>		
27.) SCREW	<a href="#">IA-0000000</a>		
28.) ROOF LIGHT BAR	<a href="#">CI-7603005002</a>		
29.) PICKUP PLATE	<a href="#">BD-7643005001</a>		
30.) WALL 1	<a href="#">GB-7643005027</a>		
31.) SCREW	<a href="#">IA-0000000</a>		
32.) SCREW	<a href="#">IA-0000000</a>		
33.) COACH FLOOR	<a href="#">GB-7603005028</a>		
34.) WEIGHT	<a href="#">II-7603005001</a>		
35.) AIR HOSE GROUP	<a href="#">GA-7653005037</a>		
36.) HEAT PIPE	<a href="#">GA-6603005086</a>		
37.) KADEE COUPLER GROUP	<a href="#">DD-7653005001</a>		
38.) COACH CHASSIS	<a href="#">GB-7603005029</a>		
39.) SHORT BOTTOM BEAM	<a href="#">GB-7603005004</a>		
40.) COACH OF BOTTOM BEAM	<a href="#">GB-7603005030</a>		
41.) PIPE WIRE OF COACH.B	<a href="#">GA-7653005065</a>		
42.) PIPE WIRE OF COACH.A	<a href="#">GA-7653005066</a>		
43.) PART FOR GENERATOR	<a href="#">GA-7603005040</a>		
44.) WATER TANK	<a href="#">GB-7603005021</a>		
45.) BASE FOR GENERATOR	<a href="#">GB-7603005007</a>		
46.) GENERATOR 2	<a href="#">GB-7603005009</a>		
47.) RADIO CONVERTER BOX	<a href="#">GB-7603005031</a>		
48.) CHASSIS STRIP	<a href="#">GB-7603005013</a>		
49.) A.P.W.S RESERVOIR	<a href="#">GB-7603005016</a>		
50.) AIR VENT PIPE 2	<a href="#">GA-7603005058</a>		
51.) EJECTOR CONTROL BOX	<a href="#">GB-7603005014</a>		
52.) CONTROL VALVE	<a href="#">GB-7603005018</a>		
53.) CONTROL VALVE 2	<a href="#">GB-7603005015</a>		
54.) MOTOR GENERATOR	<a href="#">GB-7603005020</a>		
55.) BATTERY BOX	<a href="#">GB-7603005012</a>		
56.) RECEIVER TANK	<a href="#">GB-7603005017</a>		



# EXPLODED VIEW: COACH

## NYC(Empire State Express)Streamline Passenger

### Coach Exploded Views DC





HO TRAINS THAT DO MORE

**HO NYC  
(EMPIRE STATE EXPRESS)  
STREAMLINE PASSENGER**

**80-60025-1 80-60026-1**

**80-60027-1 80-60028-1**

**PARTS LIST & EXPLODED VIEW**

REV. 07.2015

# PARTS LIST: OBSERVATION

1.) INNER FRAME FOR SQU.DRUMHEAD	<a href="#">GA-7633005001</a>	57.) TABLE 1	<a href="#">GA-7603005035</a>
2.) OBS.HANDRAIL AT REAR BOT.R	<a href="#">GA-7623005002</a>	58.) TABLE 3	<a href="#">GA-7603005036</a>
3.) OUTER FRAME FOR SQU.DRUMHEAD	<a href="#">GA-7633005003</a>	59.) SCREW	<a href="#">IA-0000000</a>
4.) OBS. HANDRAIL AT REAR R	<a href="#">GA-7623005004</a>	60.) OBSERVATION FLOOR	<a href="#">GB-7603005002</a>
5.) OBS. PIPE AT REAR BOTTOM	<a href="#">GA-7653005005</a>	61.) DRUMHEAD LIGHT PCB	<a href="#">AG-7633005001</a>
6.) LADDER 1R	<a href="#">GA-7623005006</a>	62.) WEIGHT	<a href="#">IL-7603005001</a>
7.) SQUARE DRUMHEAD GLASS	<a href="#">GA-7633005007</a>	63.) HEAT PIPE	<a href="#">GA-6603005086</a>
8.) BAR RING 1	<a href="#">GA-7633005008</a>	64.) AIR HOSE GROUP	<a href="#">GA-7653005037</a>
9.) BAR 1	<a href="#">GA-7633005009</a>	65.) KADEE COUPLER GROUP	<a href="#">DD-7653005001</a>
10.) OBS. HANDRAIL AT REAR BOT.L	<a href="#">GA-7613005010</a>	66.) OBSERVATION CHASSIS	<a href="#">GB-7603005003</a>
11.) OBS. HANDRAIL AT REAR. L	<a href="#">GA-7613005011</a>	67.) SHORT BOTTOM BEAM	<a href="#">GB-7603005004</a>
12.) LADDER 1L	<a href="#">GA-7613005012</a>	68.) OBS. BOTTOM BEAM	<a href="#">GB-7603005005</a>
13.) OBSERVATION WINDOW F	<a href="#">FA-7633005001</a>	69.) PIPE WIRE OF OBS.B	<a href="#">GA-7653005038</a>
14.) HEAD LIGHT GLASS	<a href="#">CA-7603005001</a>	70.) PIPE WIRE OF OBS.A	<a href="#">GA-7653005039</a>
15.) ANTENNA HOLDERS AT ROOF 2	<a href="#">GA-7603005013</a>	71.) ENGINE GENERATOR 1	<a href="#">GB-7603005006</a>
16.) ANTENNA WIRE AT ROOF 2	<a href="#">GA-7603005014</a>	72.) BASE FOR GENERATOR	<a href="#">GB-7603005007</a>
17.) ANTENNA HOLDERS AT ROOF 3	<a href="#">GA-7603005015</a>	73.) CONTROL VALVE 1	<a href="#">GB-7603005008</a>
18.) ANTENNA HOLDERS AT ROOF 4	<a href="#">GA-7603005016</a>	74.) GENERATOR 2	<a href="#">GB-7603005009</a>
19.) ANTENNA HOLDERS AT ROOF 1	<a href="#">GA-7603005017</a>	75.) PART FOR GENERATOR	<a href="#">GA-7603005040</a>
20.) ANTENNA WIRE AT ROOF 1	<a href="#">GA-7603005018</a>	76.) PART FOR ICE ENGINE	<a href="#">GB-7603005010</a>
21.) DETAIL AT ROOF 6R	<a href="#">GA-7603005019</a>	77.) ICE ENGINE	<a href="#">GB-7603005011</a>
22.) MARKER LIGHT GLASS	<a href="#">CB-7653005001</a>	78.) BATTERY BOX	<a href="#">GB-7603005012</a>
23.) DETAIL AT ROOF 6L	<a href="#">GA-7603005020</a>	79.) CHASSIS STRIP	<a href="#">GB-7603005013</a>
24.) HANDRAIL AT SIDE DOOR 1	<a href="#">GA-7623005021</a>	80.) EJECTOR CONTROL BOX	<a href="#">GB-7603005014</a>
25.) DETAIL AT ROOF 4	<a href="#">GA-7603005022</a>	81.) CONTROL VALVE 2	<a href="#">GB-7603005015</a>
26.) LADDER 3	<a href="#">GA-7623005023</a>	82.) A.P.W.S RESERVOIR	<a href="#">GB-7603005016</a>
27.) NEW YORK CENTRAL	<a href="#">GA-7653005024</a>	83.) RECEIVER TANK	<a href="#">GB-7603005017</a>
28.) FRANKLIND.ROOSEVELT	<a href="#">GA-7653005025</a>	84.) CONTROL VALVE	<a href="#">GB-7603005018</a>
29.) DETAIL AT ROOF 3	<a href="#">GA-7603005026</a>	85.) REFRIGERATION UNIT	<a href="#">GB-7603005019</a>
30.) LADDER 2	<a href="#">GA-7653005027</a>	86.) MOTOR GENERATOR	<a href="#">GB-7603005020</a>
31.) HANDRAIL AT SIDE FRONT	<a href="#">GA-7653005028</a>	87.) WATER TANK	<a href="#">GB-7603005021</a>
32.) OBSERVATION BODY	<a href="#">FF-7603005001</a>	88.) TRUCKS GROUP	<a href="#">DA-7653005001</a>
33.) DIAPHRAGM PIPE	<a href="#">GA-7653005029</a>	89.) WHEEL GROUP(DC)	<a href="#">DC-7653005001</a>
34.) SMALL DIAPHRAGM	<a href="#">FI-7603005001</a>	90.) TRUCKS PART 2	<a href="#">DB-7603005001</a>
35.) SCREW	<a href="#">IA-0000201</a>	91.) TRUCKS OF CYLINDER L	<a href="#">DB-7603005002</a>
36.) HANDRAIL AT END DOOR TOP	<a href="#">GA-7643005030</a>	92.) TRUCKS OF ROD R	<a href="#">DB-7603005003</a>
37.) HANDRAIL AT END DOOR BOTTOM	<a href="#">GA-7643005031</a>	93.) PICK UP FOR TRUCK	<a href="#">BD-7603005002</a>
38.) WINDOW AT END DOOR	<a href="#">FA-7643005002</a>	94.) TRUCKS	<a href="#">DB-7603005004</a>
39.) BIG DIAPHRAGM GROUP	<a href="#">FI-7603005002</a>	95.) TABLE 6	<a href="#">GB-7603005022</a>
40.) END DOOR&WALL	<a href="#">GB-7643005001</a>	96.) TRUCKS PART 1	<a href="#">DB-7603005005</a>
41.) HANDRAIL AT DOOR BOTTOM	<a href="#">GA-7643005032</a>	97.) TRUCKS OF CYLINDER R	<a href="#">DB-7603005006</a>
42.) LIFT BAR	<a href="#">GA-7643005033</a>	98.) TRUCKS OF ROD L	<a href="#">DB-7603005007</a>
43.) OBSERVATION WINDOW L	<a href="#">FA-7623005003</a>		
44.) OBSERVATION WINDOW R	<a href="#">FA-7613005004</a>		
45.) BARDOOR	<a href="#">CI-7633005001</a>		
46.) HEAD&MARKER LIGHTS PCB	<a href="#">CC-6603005001</a>		
47.) SCREW	<a href="#">IA-0000000</a>		
48.) SCREW	<a href="#">IA-0000000</a>		
49.) SCREW	<a href="#">IA-0000000</a>		
50.) SCREW	<a href="#">IA-0000000</a>		
51.) ROOF LIGHT BAR	<a href="#">CI-7603005002</a>		
52.) PCB GROUP	<a href="#">AG-6603005001</a>		
53.) PICK UP FOR DRUMHEAD LIGHT 1	<a href="#">BD-6603005002</a>		
54.) PICK UP FOR DRUMHEAD LIGHT 2	<a href="#">BD-6603005003</a>		
55.) PICKUP PLATE	<a href="#">BD-7643005001</a>		
56.) TABLE 2	<a href="#">GA-7603005034</a>		

## NYC(Empire State Express)Streamline Passenger

Parlor Expoded Views DC

