

RAIL KING
By M.T.H. Electric Trains

Wanderer 4-4-0

30-1155-1

30-1155-0



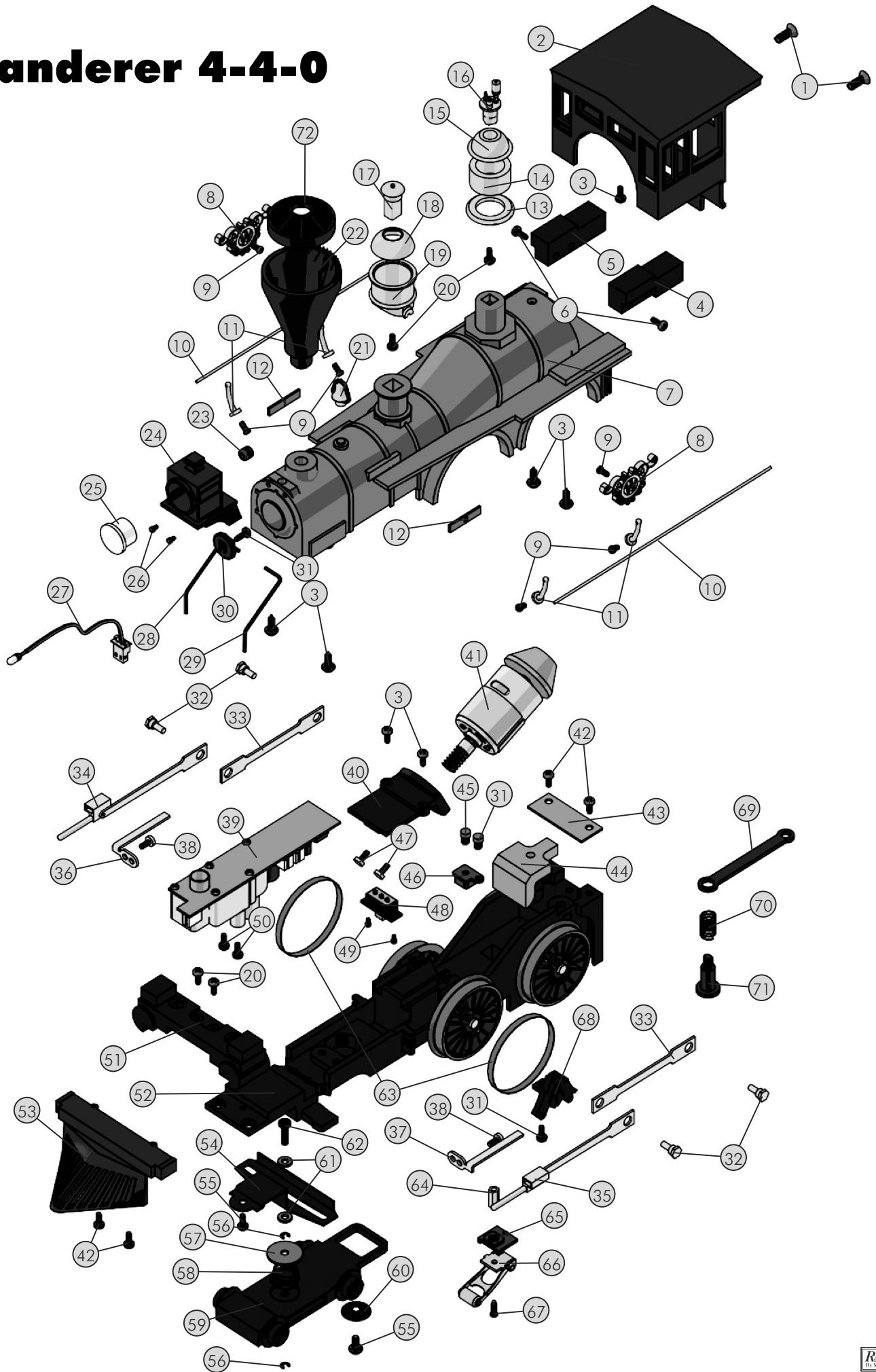
Wanderer 4-4-0

Parts

Name and Number	Part #	\$Price Per Unit	Name and Number	Part #	\$Price Per Unit
1.) Screw (black) (6/32X8.0mm)(flathead)	IA-0000177	0.15	41.) Motor (RS-365SH) (8.0X21.0mm worm gear)(12.0X28.0mm flywheel)	BE-0000048	25.00
2.) Cab (Wanderer)(black)	FB-1200128	*25.00	42.) Screw (6/32X6.0mm)(roundhead)	IA-0000027	0.15
3.) Screw (6/32X10.0mm)(roundhead)	IA-0000040	0.15	43.) Wire harness plug PCB	BB-1040003	8.00
4.) Weight (left)	II-0000007	6.00	44.) Weight	II-0000009	5.00
5.) Weight (right)	II-0000008	6.00	45.) Screw (nickel) (M3X6.0mm)(roundhead)	IA-0000015	0.15
6.) Screw (M3X10.0mm)(roundhead)	IA-0000110	0.15	46.) Insulator (pick-up)(top)	BD-0000026	2.00
7.) Boiler (black, green, gold)	FB-1200129	*65.00	47.) Screw (yellow zink) (M2.5X6.0mm)(roundhead w/ lock washer)	IA-0000089	0.15
8.) Name plate (W)(polished brass)	FB-1200130	5.00	48.) Switch (small)	BB-0000009	5.00
9.) Screw (M2X3.0mm)(washer head)	IA-0000118	0.15	49.) Screw (M2X4.0mm)(roundhead)	IA-0000058	0.15
10.) Handrail (polished brass)	FB-1200111	2.00	50.) Screw (4/40X8.0mm)(roundhead)	IA-0000011	0.15
11.) Stanchion (polished brass)	FB-1200112	1.00	51.) Steam chest (black & gold)	EF-1230010	15.00
12.) Number board (# 5)	FB-1200131	4.00	52.) Drive block (2 axle)	DF-1200022	*60.00
13.) Ring (polished brass)	FB-1200114	3.00	53.) Pilot (black)	DG-1230012	20.00
14.) Spacer (polished brass)	FB-1200132	3.00	54.) Bracket (lead truck)(black)	IH-1230002	3.00
15.) Steam dome (polished brass)	FB-1200116	3.00	55.) Screw (4/40X6.0mm)(washer head)	IA-0000028	0.15
16.) Whistle (polished brass)	FB-1200117	4.00	56.) E-clip (2.5X6.0X0.4mm)	IF-0000004	0.15
17.) Sand dome cap (polished brass)	FB-1200118	3.00	57.) Spacer (3.0X15.0X2.0mm)	ID-0000066	0.50
18.) Sand dome (polished brass)	FB-1200119	3.00	58.) Spring (12.0X9.0X6.5mm)(w/ 0.5mm thick wire)	IE-0000037	0.50
19.) Sand dome housing (polished brass)	FB-1200133	5.00	59.) Truck (lead)(2 axle)	DA-1230020	20.00
20.) Screw (6/32X8.0mm)(roundhead)	IA-0000050	0.15	60.) Spacer (3.5X15.0X2.5mm)	ID-0000014	1.00
21.) Bell (polished brass)	FB-1200134	4.00	61.) Washer (3.0X7.0X0.4mm)	ID-0000028	0.15
22.) Smokestack (black)	FB-1200016	10.00	62.) Pin	IG-0000015	0.50
23.) Grommet	IH-0000005	0.50	63.) Traction tire	DE-0000027	0.75
24.) Headlight housing (black & gold)	FB-1200135	12.00	64.) Nut (nickel) (2.5X5.0X10.0mm)	IC-0000001	0.50
25.) Headlight lens	FA-1230005	2.00	65.) Insulator (pick-up)(bottom)	BD-0000001	2.00
26.) Screw (M2.5X6.0mm)(roundhead)	IA-0000185	0.15	66.) Pick-up	BD-0000013	5.00
27.) Bulb (18V) (grain of wheat) (105.0mm long)	CA-0000016	2.00	67.) Screw (M3X8.0mm)(roundhead)	IA-0000164	0.15
28.) Handrail (right) (polished brass)	FB-1210027	2.00	68.) Brake assembly (black)	FB-1250001	8.00
29.) Handrail (left) (polished brass)	FB-1220027	2.00	69.) Draw bar	FB-1200019	3.00
30.) Number board (black & gold)(#5)	FB-1200136	4.00	70.) Spring	IE-0000002	0.50
31.) Screw (4/40X6.0mm)(roundhead)	IA-0000003	0.15	71.) Bolt (8/32X19.0mm) (w/ 5.0X11.0mm shoulder)(slotted head)	IA-0000066	1.00
32.) Bolt (nickel) (M3X10.0mm W/ 3.5X4.0mm oversized shank)	IA-0000265	1.00	72.) Smoke stack screen (black)	FB-1200137	3.00
33.) Side rod	EC-1250001	2.00			
34.) Drive rod (right)	EC-1210004	5.00			
35.) Drive rod (left)	EC-1220004	5.00			
36.) Drive rod guide (right)	EA-1210008	2.00			
37.) Drive rod guide (left)	EA-1220008	2.00			
38.) Screw (nickel) (4/40X6.0mm)(roundhead)	IA-0000101	0.15			
39.) Smoke unit	AA-1200003	50.00			
40.) Motor mount	BI-0000038	10.00			

*Requires Exchange

Wanderer 4-4-0



Wanderer Tender

Parts

Name and Number	Part #	\$Price Per Unit	Name and Number	Part #	\$Price Per Unit
1.) Shell (Wanderer)	GA-1200054	*75.00	41.) T-bar	IG-0000001	0.15
2.) Screw (6/32X6.0mm)(roundhead)	IA-0000027	0.15	42.) Screw (6/32X6.0mm)(roundhead)	IA-0000027	0.15
3.) Proto-Sound Chip®	N/A	19.95	43.) Clip (top)	IF-0000006	1.00
4.) Proto-Sound®board (top)	AE-4500001	*100.00	44.) Clip (bottom)	IF-0000007	1.00
5.) Proto-Sound®board (bottom)	AD-4500001	*60.00			
6.) Heat sink (aluminum) (3.0X14.0X10.0mm)	AI-4500005	2.00			
7.) Screw (4/40X25.0mm)(roundhead)	IA-0000192	0.15			
8.) Screw (M2.5X3.0mm)(roundhead)	IA-0000022	0.15			
9.) Bracket (speaker)	IH-0000002	1.00			
10.) Speaker (UNISON. U4508BSR,8,9W)	BF-4500013	8.95			
11.) Screw (M3X8.0mm) (roundhead)(self-drilling)	IA-0000072	0.15			
12.) Nut (nickel) (6.0X10.0X2.0) (for volume pot)	IC-0000007	0.50			
13.) Washer (7.0X12.0X0.5mm)	ID-0000034	0.15			
14.) Bracket (volume pot)	IH-0000023	2.00			
15.) Volume pot	BI-0000039	5.00			
16.) Wire nut (yellow)	BI-4500003	0.25			
17.) Screw (4/40X6.0mm)(roundhead)	IA-0000003	0.15			
18.) Insulator washer (3.0X6.0X3.0mm)	ID-0000025	0.15			
19.) Bracket (Proto-Sound®board)	IH-4500005	2.00			
20.) Insulator	ID-0000024	0.15			
21.) Battery leads	BC-0000003	3.00			
22.) Battery	BG-4000001	10.00			
23.) Screw (4/40X4.0mm)(roundhead)	IA-0000021	0.15			
24.) Bracket (battery)	IH-0000092	2.00			
25.) Chassis	GB-1200029	*15.00			
26.) Wire harness (tender)	BC-0000028	8.00			
27.) Tool box (green)	GA-1200055	*10.00			
28.) Truck (2 axle)(black) (truck sides have leaf springs)	DA-0000009	25.00			
29.) Screw (6/32X6.0mm)(washer head)	IA-0000214	0.15			
31.) Insulator (pick-up)(bottom)	BD-0000001	1.00			
32.) Nut (nickel) (2.5X5.0X10.0mm)	IC-0000001	0.50			
33.) Pick-up	BD-0000013	5.00			
34.) Screw (M3X8.0mm)(roundhead)	IA-0000164	0.15			
35.) Insulator (pick-up)(top)	BD-0000047	2.00			
36.) Screw (M3X6.0mm)(roundhead)	IA-0000016	0.15			
37.) E-clip (3.0X8.0X0.5mm)	IF-0000002	0.15			
38.) Washer (5.0X10.0X1.0mm)	ID-0000026	0.15			
39.) Spring (6.5X14.0mm) (w/ 0.5mm thick wire)	IE-0000022	0.50			
40.) Proto-Coupler®	DD-0000004	10.00			

Whistle Only Parts

4.) Board (whistle)	AF-4500005	29.95
5.) Board (DCRU) (w/ red & black plugs)	AC-0000006	39.95
6.) Heat sink (14.0X3.5mm)(2-3.0mm holes)	AI-0000025	2.00
7.) Screw (4/40X30.0mm)(roundhead)	IA-0000191	0.15
17.) Screw (4/40X4.0mm)(roundhead)	IA-0000021	0.15
19.) Bracket (DCRU)(U-shaped)	IH-0000039	2.00
26.) Wire harness (tender) (190.0mm long)(1 red & 1 black plugs & extra wires)	BC-0000031	8.00
38.) Washer (4.6X8.6X2.0mm) (plastic)(inside 7.0X1.1mm)(cup shaped)	ID-0000060	0.15
39.) Spring (6.5X11.0mm)(w/ 0.4mm thick wire)	IE-0000007	0.50
NS.) Switch (small)	BB-0000009	5.00
NS.) Screw (for switch) (M2X4.0mm)(roundhead)	IA-0000058	0.15
NS.) Coupler	DD-0000011	3.00
NS.) Armature	DD-0000012	1.00

*Requires Exchange

Wanderer Tender

