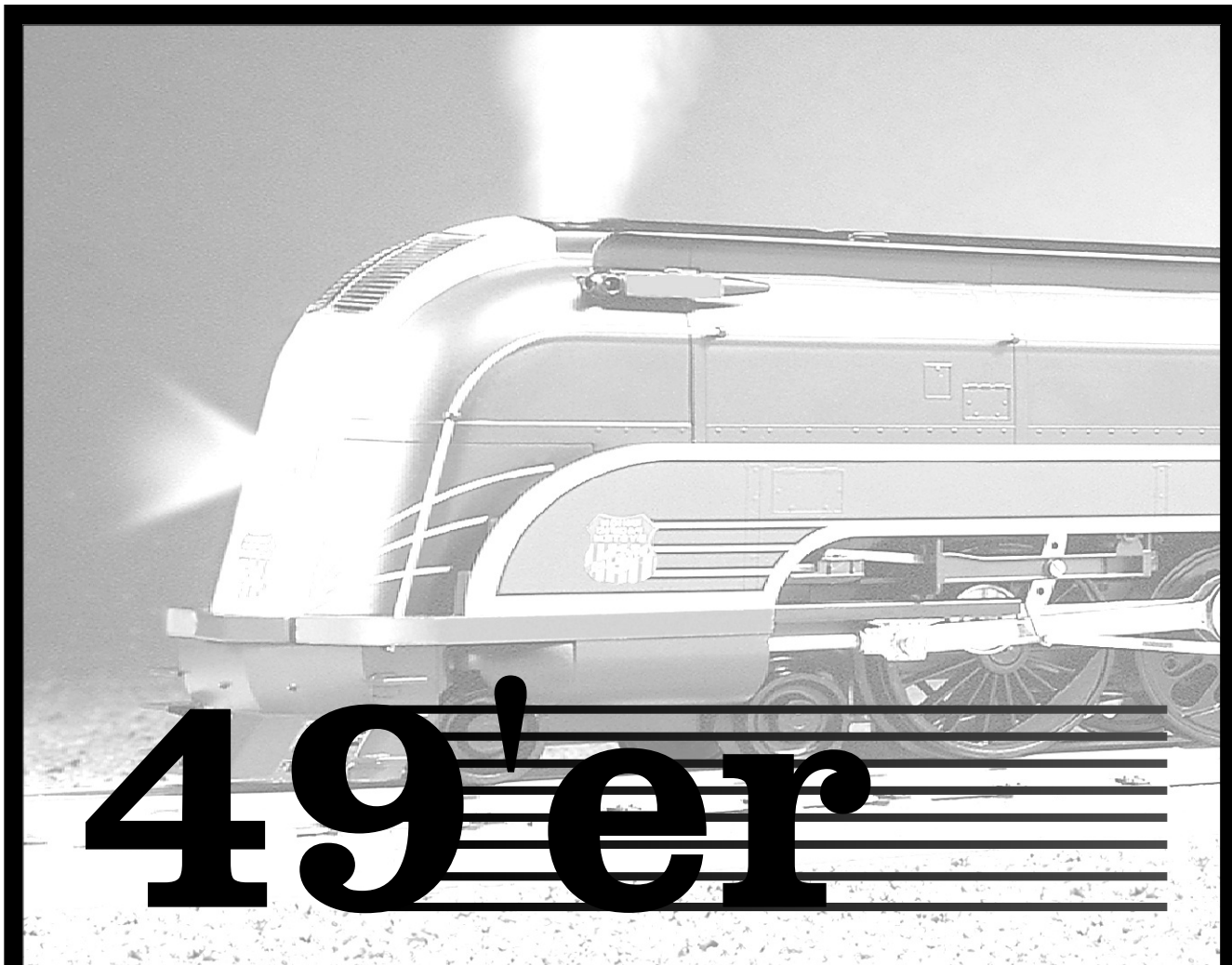


**RAIL KING**  
By MTH Electric Trains

# 49'er 4-6-2

Item Numbers: 30-1139-0, 30-1139-1



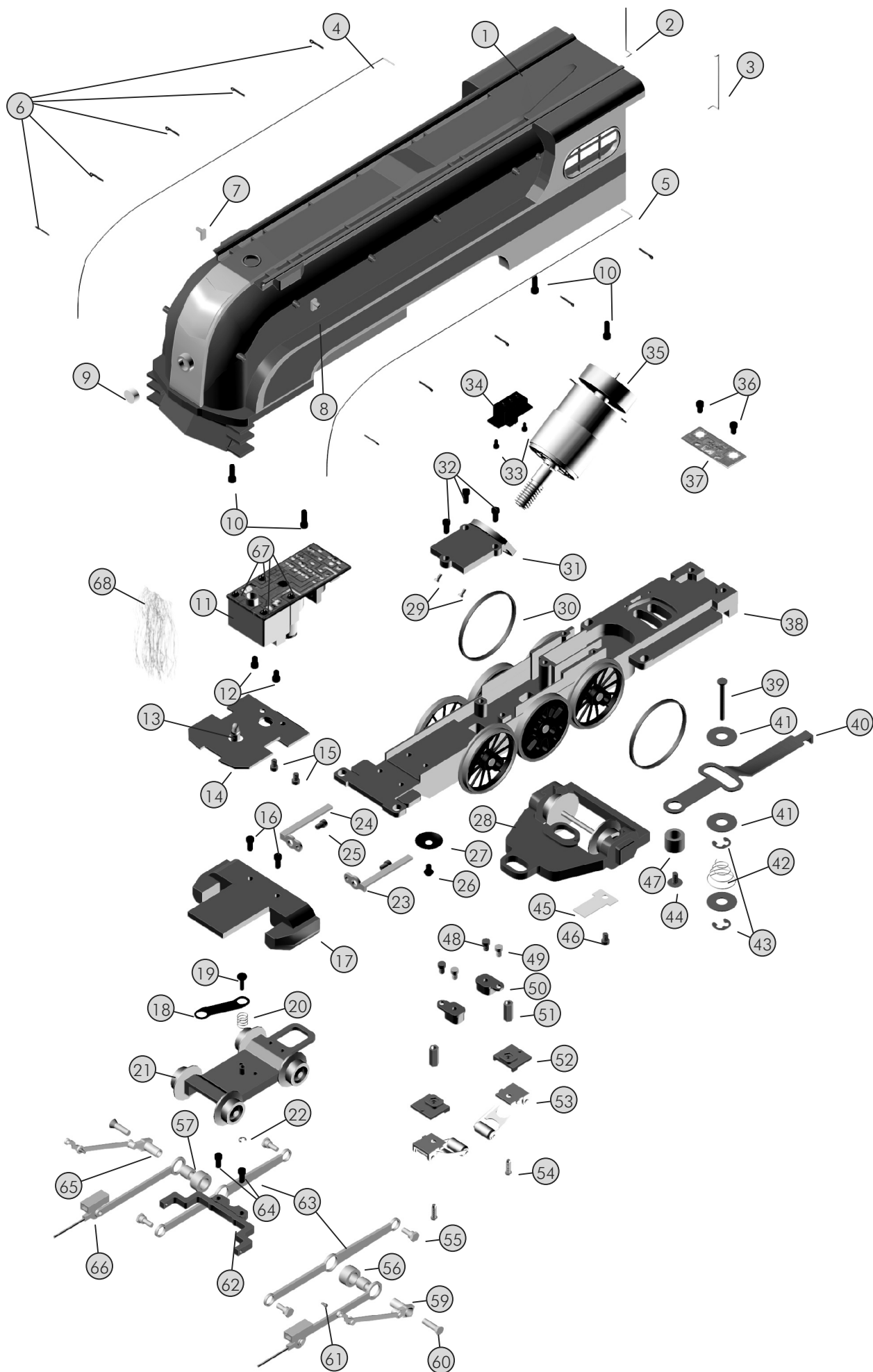
# Rail King 49'er

## Engine Parts

Name and Number	Part #	Price Per Unit
1.) Boiler (U.P. #2906)	FB-1200082	* 150.00
2.) Handrail (R)(cab)(silver)	FB-1210021	2.00
3.) Handrail (L)(cab)(silver)	FB-1220021	2.00
4.) Handrail (R)(boiler)(silver)	FB-1210022	1.00
5.) Handrail (L)(boiler)(silver)	FB-1220022	1.00
6.) Standions (black)	FB-1200024	.25
7.) Marker lens (green)(right)	FA-1210001	1.00
8.) Marker lens (green)(left)	FA-1220001	1.00
9.) Headlight lens	FA-1230023	2.00
10.) Screw (6/32 x 8.0mm)(roundhead)	IA-0000050	.15
11.) Smoke unit	AA-0000007	* 30.00
12.) Screw (4-40 x 6.0mm)(roundhead)	IA-0000003	.15
13.) Light bulb 18v (screw base, small globe)	CA-0230001	.95
14.) Bracket (H.L./smoke unit)	IH-0000040	3.00
15.) Screw (M3 x 6.0mm)(roundhead)	IA-0000016	.15
16.) Screw (6/32 x 10.0mm)(roundhead)	IA-0000040	.15
17.) Steam chest	EF-1230006	* 15.00
18.) Bracket (lead truck)	IH-0000041	1.00
19.) Pin (w/groove)(3.0 x 15.0mm)	IG-0000003	.50
20.) Spring (6.5 x 9.0mm)	IE-0000009	.50
21.) Lead truck	DA-1230004	20.00
22.) E-clip (2.5 x 6.0 x .5mm)	IF-0000004	.15
23.) Drive rod guide(L)(34.5mm long)	EA-1220005	1.00
24.) Drive rod guide(R)(34.5mm long)	EA-1210005	1.00
25.) Screw (6/32 x 6.0mm)(chrome)(roundhead)	IA-0000051	.15
26.) Screw (6/32 x 6.0mm)(chrome)(washerhead)	IA-0000039	.15
27.) Spacer (3.5 x 15.0 x 2.4mm)(indented sheet metal)	ID-0000014	1.00
28.) Trailing truck	DA-1240019	20.00
29.) Screw (M2.5 x 6.0mm)(roundhead w/lock washer)(yellow zinc)	IA-0000001	.15
30.) Traction tires	DE-0000027	.75
31.) Motor mount	BI-0000019	2.00
32.) Screw (6/32 x 8.0mm)(roundhead)	IA-0000050	.15
33.) Screw (M2 x 4.0mm)(Panhead)	IA-0000007	.15
34.) Switch (small)	BB-0000009	5.00
35.) Motor (RS-385PH)(6.4 29.0mm worm gear)	BE-0000029	20.00
36.) Screw (6/32 x 6.0mm)(roundhead)	IA-0000027	.15
37.) PCB (12.6 x 32.00mm)(wire harness plug)	BB-0000011	8.00
38.) Drive block (3 axle)	DF-1200015	* 75.00
39.) Pin (5.0 x 27.5mm)(2 grooves)	IG-0000002	.50
40.) Draw bar	FB-1200083	3.00
41.) Washer (5.0 x 11.5 x .6mm)	ID-0000012	.15
42.) Spring (7.5 x 13.0 x 14.0mm)	IE-0000018	.50
43.) E-clip (3.0 x 8.0 x .6mm)	IF-0000002	.15
44.) Screw (6/32 x 6.0mm)(washerhead)	IA-0000039	.15
45.) Ground strap (12.5 x 8.0 x 21.0 x .1mm)	II-0000004	1.00
46.) Screw (4/40 x 4.0mm)(roundhead)	IA-0000021	.15
47.) Spacer (6.5 x 10.0 x 9.0mm)	ID-0000005	1.00

Name and Number	Part #	Price Per Unit
48.) Screw (M3 x 6.0mm)(chrome)(washerhead)	IA-0000015	.15
49.) Screw (4/40 x 6.0mm)(roundhead)	IA-0000003	.15
50.) Insulator (pick-up)(top)(square)	BD-0000035	2.00
51.) Nut (2.4 x 5.0 x 10.0mm)	IC-0000005	.50
52.) Insulator (pick-up)(bottom)(square)	BD-0000041	2.00
53.) Pick-up (8.0mm roller, 28.0mm long)	BD-0000038	5.00
54.) Screw (M3 x 6.0mm)(chrome)(roundhead)	IA-0000015	.15
55.) Bolt (Chrome)(M3 x 10.0mm)(4.0mm oversized shank)	IA-0000054	1.00
56.) Sleeve (Chrome)(6.8 x 10.0 x 4.3mm)	ID-1250006	1.00
57.) Sleeve (Chrome)(5.4 x 6.5 x 7.8mm)	ID-1250005	1.00
58.) Drive rod (L)	EC-1220016	5.00
59.) Accentric assembly (L)	ED-1220016	5.00
60.) Screw (Chrome)(M3 x 16.0mm)(flathead)	IA-0000052	.15
61.) Screw (6/32 x 8.0mm)(roundhead)	IA-0000050	.15
62.) Motor hanger	EA-1200007	2.00
63.) Side rod	EC-1250013	2.00
64.) Screw (M2 x 4.0mm)(2.0mm long oversized shank)	IA-0000053	.15
65.) Accentric assembly (right)	ED-1210016	5.00
66.) Drive rod (right)	EC-1210016	5.00
67.) Screw (4/40 x 6.0mm)(roundhead)	IA-0000003	.15
68.) Smoke wick	AA-0000001	1.00

\* Requires Exchange



# Tender Parts

Name and Number	Part #	Price Per Unit
1.) Shell (Union Pacific)	GA-1200034	*85.00
2.) Proto-sound chip	N/A	*19.95
3.) Handrail	GA-1200035	2.00
4.) Proto-sound board (top)	AE-4500001	*100.00
5.) DCRU board (bottom)	AD-4500001	*60.00
6.) Bracket (battery)	IH-0000042	3.00
7.) Wire harness (tender)(6 1/2" wires w/plugs)	BC-1200006	8.00
8.) Heat sink (3.0 x 20.0 x 10.0, w/notch 17.8mm)	AI-0000012	2.00
9.) Screw (4/40 x 4.0mm)(roundhead)	IA-0000021	.15
10.) Battery leads	BC-0000003	3.00
11.) Volume pot (B10K, SW)(5 1/2" wires)	BI-0000020	5.00
12.) Bracket (volume pot)(U-shaped, plastic)	IH-0000023	2.00
13.) Washer (7.0 x 12.0 x .5mm)	ID-0000034	.15
14.) Battery	BG-4000001	9.95
15.) Nut (6.0 x 10.0 x 2.0mm)	IC-0000007	
16.) Screw (4-40 x 4.0mm)(roundhead)	IA-0000021	.15
17.) Bracket (Proto-sound board)	IH-0000043	
18.) Screw (M3 x 6.0mm)(roundhead)	IA-0000016	.15
19.) Insulator (washer)	ID-0000033	.15
20.) Screw (4-40 x 6.0mm)(roundhead)	IA-0000003	.15
21.) Insulator	ID-0000026	1.00
22.) Screw (M2.5 x 4.0mm)(roundhead)	IA-0000023	.15
23.) Bracket (speaker)	IH-0000044	1.00
24.) Speaker (Star, PR-05004-08, 8 , 0.2w)	BF-4500008	8.95
25.) T-bar	IG-0000001	.50
26.) Screw (6/32 x 8.0mm)(roundhead)	IA-0000050	.15
27.) Proto-coupler (44.0mm long)	DD-0000004	10.00
28.) Spring	IE-0000017	.50
29.) Washer	ID-0000026	.15
30.) E-clip	IF-0000002	.15
31.) Truck (3 axle, w/coupler mount)(brown)	DA-1240020	30.00
32.) Screw (6/32 x 6.0mm)(washer head)	IA-0000039	.15
33.) Truck (3 axle, w/drawbar mount)(brown)	DA-1230014	30.00
34.) Drawbar (12.5 x 53.5mm)	GA-1200036	2.00
35.) Screw (4/40 x 6.0mm)(roundhead)	IA-0000003	.15
36.) Screw (4/40 x 30.0mm)(roundhead)(w/7.0mm undersized shank)	IA-0000019	.15
37.) Screw (6/32 x 8.0mm)(roundhead)	IA-0000050	.15

Name and Number	Part #	Price Per Unit
38.) Chassis	GB-1200022	*15.00
39.) Clip (Proto-sound board)(top)(plastic)	IF-0000006	1.00
40.) Clip (Proto-sound board)(bottom)(plastic)	IF-0000007	1.00

## Horn Only Parts

NS= Parts not shown

4.) Whistle board	AF-4500005	29.95
5.) DCRU	AC-0000001	39.95
41.) Coupler (mechanical)	DD-0000003	3.00
42.) Armature	DD-0000022	1.00
NS) Switch (small)(reverse lockout)	BB-0000009	5.00

\* Requires Exchange

