



# **GS-4 STEAM ENGINE**

**30-4182-1E**

**PARTS LIST & EXPLODED VIEW**

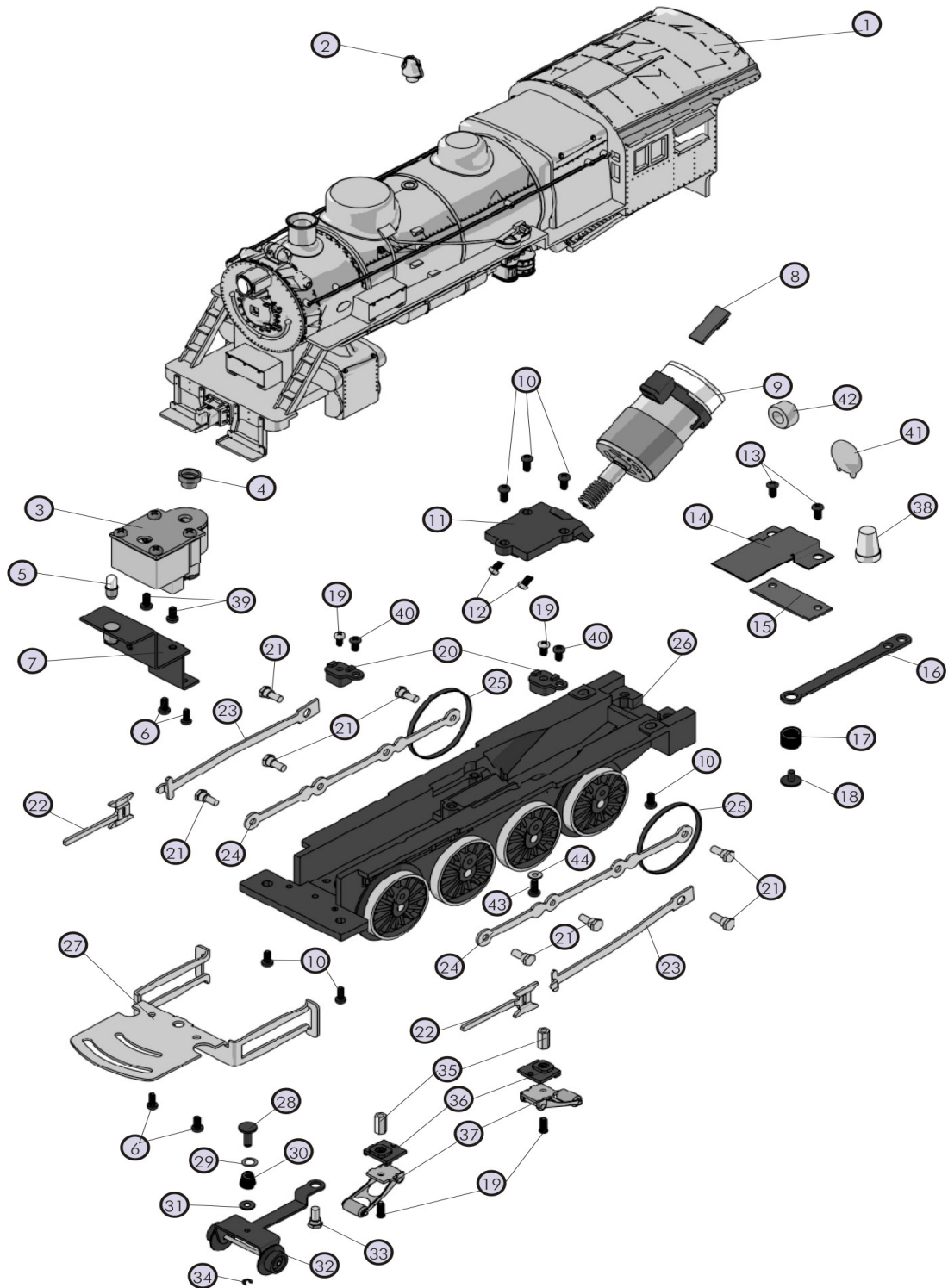
REV. 07.2015

# PARTS LIST: GS-4 STEAM ENGINE (BANTAM)



1.) SHELL ( ORANGE, RED, SILVER, BLACK ) ( BOILER )( S.P. DAYLIGHT )( # 4449 )	<a href="#">FB-1200182</a>	( TOP )( SQUARE )( PICK-UP )	
2.) SCREW ( 4/40X6.0MM )( ROUNDHEAD )	<a href="#">IA-0000003</a>	33.) DRIVE BLOCK ( BLACK )( 4 AXLE )	<a href="#">DF-1200027</a>
3.) BELL ( NICKEL )	<a href="#">FB-1200002</a>	34.) SIDE ROD ( NICKEL ) ( 1.0X87.5MM )( 4 BOLT HOLES )	<a href="#">EC-1250023</a>
4.) NUMBER BOARD HOUSING ( RIGHT )( BLACK )( S.P. DAYLIGHT )( # 4449 )	<a href="#">FB-1210041</a>	35.) BOLT ( NICKEL ) ( M3X8.0MM )( HEX HEAD )( 4.0X2.5MM SHOULDER )	<a href="#">IA-0000087</a>
5.) NUMBER BOARD HOUSING ( LEFT )( BLACK )( S.P. DAYLIGHT )( # 4449 )	<a href="#">FB-1220048</a>	36.) DRIVE ROD ( NICKEL )	<a href="#">EC-1250022</a>
6.) SIDE PANEL ( ORANGE ) ( RIGHT )( S.P. DAYLIGHT )( # 4449 )	<a href="#">FB-1210038</a>	37.) CROSSHEAD ( NICKEL ) ( 38.8MM LONG )	<a href="#">EC-1250016</a>
7.) SIDE PANEL ( ORANGE ) ( LEFT )( S.P. DAYLIGHT )( # 4449 )	<a href="#">FB-1220045</a>	38.) WASHER ( BLACK ) ( 3.0X6.0X0.4MM )( FIBER )	<a href="#">ID-0000040</a>
8.) HANDRAIL ( NICKEL ) ( RIGHT )( BOILER )( 196.0X30.0X25.0MM )	<a href="#">FB-1210037</a>	39.) SCREW ( 6/32X4.0MM )( ROUNDHEAD )	<a href="#">IA-0000060</a>
9.) HANDRAIL ( NICKEL ) ( LEFT )( BOILER )( 196.0X30.0X25.0MM )	<a href="#">FB-1220044</a>	40.) SPACER ( BLACK ) ( 6.0X9.0X3.8MM )( METAL )	<a href="#">ID-0000103</a>
10.) STANCHION ( BLACK ) ( PLASTIC )( 3.0MM LONG )	<a href="#">FB-1200242</a>	41.) E-CLIP ( 3.5X9.0X0.6MM )	<a href="#">IF-0000009</a>
11.) MARKER LIGHT HOUSING (BLACK)	<a href="#">FB-1200184</a>	42.) WASHER ( 5.5X10.0X0.5MM )	<a href="#">ID-0000075</a>
12.) BOILER FRONT ( SILVER ) ( S.P. DAYLIGHT )( # 4449 )( METAL )	<a href="#">FB-1230004</a>	43.) SPRING ( NICKEL ) ( 6.5X12.5X13.0MM )( 0.6MM THICK WIRE )	<a href="#">IE-0000062</a>
13.) LENS ( HEADLIGHT )( CLEAR )	<a href="#">FA-1230022</a>	44.) WASHER ( 5.5X15.0X1.0MM )	<a href="#">ID-0000095</a>
14.) INSULATOR ( REFLECTIVE PLASTIC )	<a href="#">ID-0000134</a>	45.) TRUCK ( BLACK ) ( 2 AXLES )( TRAILING )( BOILER )	<a href="#">DA-1240032</a>
15.) SMOKE UNIT ( PROTO-SOUND® 2.0 )	<a href="#">AA-0000070</a>	46.) SPACER ( 3.5X15.0X3.5MM )( METAL )( CUPPED )	<a href="#">ID-0000132</a>
16.) BULB ( CLEAR )( HEADLIGHT ) ( 6V )( SCREW BASE )( SMALL GLOBE )1	<a href="#">CA-0000038</a>	47.) SPACER ( BLACK ) ( 3.5X15.0X2.5MM )( METAL )( CUPPED )	<a href="#">ID-0000014</a>
17.) BRACKET ( BLACK ) IH-0000085 ( 3 STEP )( HEADLIGHT/SMOKE UNIT )		48.) E-CLIP ( 2.5X6.0X0.5MM )	<a href="#">IF-0000004</a>
18.) BRASS CUP ( SMOKE UNIT )	<a href="#">AA-0000102</a>	49.) TRUCK ( BLACK ) ( LEAD )( 2 AXLE )( BOILER )	<a href="#">DA-1230022</a>
19.) SCREW ( 6/32X8.0MM )( ROUNDHEAD )	<a href="#">IA-0000050</a>	50.) NUT ( 2.5X5.0X10.0MM )	<a href="#">IC-0000005</a>
20.) TACH BOARD	<a href="#">AG-0000033</a>	51.) INSULATOR ( BLACK ) ( PICK-UP )( BOTTOM )( PLASTIC )	<a href="#">BD-0000001</a>
21.) MOTOR ( RS-365SH ) ( 8.0X21.0MM WORM GEAR )( 13.0MM LONG THREADS ) ( 9.0X30.0MM WHITE FLYWHEEL W/ BLACK STRIPES ) ( TACH BOARD MOUNTING STRAP )	<a href="#">BE-0000076</a>	52.) PICK-UP ( 8.0X11.0MM ROLLER )( 28.0MM LONG )	<a href="#">BD-0000048</a>
22.) WASHER ( BLACK ) ( 3.0X6.0X0.4MM )( FIBER )	<a href="#">ID-0000040</a>	53.) CROSSHEAD GUIDE ASSEMBLY	<a href="#">EA-1200013</a>
23.) MOTOR MOUNT ( BLACK )	<a href="#">BI-0000034</a>	54.) PIN ( 3.0X15.0MM ) ( 1.3X6.0MM ROUNDHEAD )( 1E-CLIP GROOVE )	<a href="#">IG-0000003</a>
24.) SCREW ( YELLOW ZINC ) ( M2.5X6.0MM )( ROUNDHEAD W/ LOCK WASHER )	<a href="#">IA-0000089</a>	55.) SPRING ( NICKEL ) ( 6.5X9.0MM )( 0.5MM THICK WIRE )	<a href="#">IE-0000009</a>
25.) TRACTION TIRE	<a href="#">DE-0000022</a>	56.) BRACKET ( BLACK )( LEAD TRUCK )	<a href="#">IH-1230006</a>
26.) SCREW ( M3X6.0MM )( ROUNDHEAD )	<a href="#">IA-0000016</a>	NS.) WIRE HARNESS ( 10 PIN FEMALE PC BOARD )	<a href="#">BC-1200191</a>
27.) PC BOARD ( GREEN ) ( W/ 10 PIN FEMALE PLUG )	<a href="#">AG-0000096</a>		
28.) PIN ( 5.0X25.0MM ) ( 1.5X8.0MM FLATHEAD )( 2 E-CLIP GROOVES )	<a href="#">IG-0000033</a>		
29.) DRAW BAR	<a href="#">FB-1200181</a>		
30.) SCREW ( M2.5X6.0MM )( WASHER HEAD )	<a href="#">IA-0000108</a>		
31.) SCREW ( NICKEL ) ( M3X6.0MM )( ROUNDHEAD )	<a href="#">IA-0000015</a>		
32.) INSULATOR ( BLACK )	<a href="#">BD-0000026</a>		

# EXPLODED VIEW: GS-4 STEAM ENGINE (BANTAM)



# PARTS LIST: GS-4 STEAM ENGINE TENDER (BANTAM)



1.) SHELL ( TENDER )( PLASTIC ) ( S.P. DAYLIGHT )( ORANGE, RED, SILVER, BLACK )	<a href="#">GA-1200071</a>	31.) T-BAR	<a href="#">IG-0000001</a>
2.) SCREW ( M3X4.0MM ) ( FLATHEAD )	<a href="#">IA-0000389</a>	32.) COUPLER ( BLACK ) ( PROTO SOUND® 2.0 )( 51.0MM LONG )	<a href="#">DD-0000032</a>
3.) BATTERY ( AA, 2.4V 700MAHR )	<a href="#">BG-4000003</a>	33.) INSULATOR, COUPLER	<a href="#">ID-0000123</a>
4.) BRACKET ( PLASTIC )( BLACK )	<a href="#">IH-0000416</a>	34.) SPRING ( NICKEL ) IE-0000022 ( 6.5X14.0MM )( W/ 0.5MM THICK WIRE )	
5.) BRACKET ( METAL )( BLACK )	<a href="#">IH-0000417</a>	35.) WASHER ( 4.5X10.0X5.0MM )	<a href="#">ID-0000009</a>
6.) SCREW ( M2.5X4.5MM )( ROUNDHEAD )	<a href="#">IA-0000058</a>	36.) E-CLIP ( 3.0X8.0X0.5MM )	<a href="#">IF-0000001</a>
7.) SCREW ( M3X15.0MM ) ( ROUNDHEAD )	<a href="#">IA-0000390</a>	37.) GROUND STRAP ( COPPER )	<a href="#">II-0000029</a>
8.) SCREW ( M3X8.0MM )( ROUNDHEAD )	<a href="#">IA-0000035</a>	38.) DRAW BAR ( 60.7X10.0X1.2MM )( 1 STEP, 2 BENDS ) ( 2 LARGE HOLES, 1 SMALL HOLE )	<a href="#">GA-1200027</a>
9.) VOLUME POT ( SMALL )( BLUE )	<a href="#">BI-0000040</a>	39.) SCREW ( 4/40X6.0MM ) ( ROUNDHEAD )	<a href="#">IA-0000003</a>
10.) SPACER ( BLACK ) ( 3.0X6.0X4.0MM )( PLASTIC )	<a href="#">ID-0000071</a>	NS.) AXLE BEARING ( BLACK ) ( 3 AXLE )( PLASTIC )	<a href="#">DC-0000005</a>
11.) SCREW ( M3X8.0MM )( ROUNDHEAD )	<a href="#">IA-0000035</a>		
12.) SPEAKER CONE ( 44MM ID X 48MM OD X 22MM TALL )	<a href="#">BF-0000042</a>		
13.) SPEAKER ( 4 OHMS )( MAX 3W )( 50MM DIAMETER )	<a href="#">BF-0000034</a>		
14.) GASKET SPEAKER ( 43.8MM I.D.X49.8MM O.DX3.0MM )( FOAM )	<a href="#">IB-0000009</a>		
15.) BRACKET, PS2 BOARD	<a href="#">IH-0000391</a>		
16.) PS2 BOARD ( POWER ) ( PROCESSOR )	<a href="#">AE-0000011</a>		
17.) SCREW ( 4/40X3.5MM )( ROUNDHEAD )	<a href="#">AE-0000010</a>		
18.) BRACKET ( HEATSINK )	<a href="#">IA-0000391</a>		
19.) SCREW ( 6/32X5.5MM )( ROUNDHEAD )	<a href="#">IH-0000418</a>		
20.) SCREW ( M2.5X3.5MM ) ( ROUNDHEAD )	<a href="#">IA-0000392</a>		
21.) BRACKET ( METAL )( BLACK )	<a href="#">IA-0000393</a>		
22.) SPACER ( 6.5X9.5 METAL COVERED W/ 14.0MM LONG HEAT SHRINK )	<a href="#">IH-0000419</a>		
23.) SCREW ( M2X7.5MM )( ROUNDHEAD )	<a href="#">ID-0000129</a>		
24.) WIRE HARNESS ( BATTERY CHARGER )	<a href="#">IA-0000394</a>		
25.) HARNESS, TENDER	<a href="#">BC-1200189</a>		
26.) HARNESS, TENDER ( INSIDE )	<a href="#">BC-0000217</a>		
27.) CHASSIS ( TENDER ) ( HAS HOLES FOR BATTERY CHARGER JACK )( BLACK )	<a href="#">BC-1200190</a>		
28.) SCREW ( M3X16.0MM )( WASHER HEAD )( SELF-DRILLING THREADS )	<a href="#">GB-1200063</a>		
29.) SCREW ( 6/32X6.0MM )( WASHER HEAD )	<a href="#">IA-0000025</a>		
30.) TRUCK ( BLACK ) ( 3 AXLE )( LEADING/TRAILING )( TENDER )	<a href="#">IA-0000214</a>		
	<a href="#">DA-1250005</a>		

# EXPLODED VIEW: GS-4 STEAM ENGINE TENDER (BANTAM)

