

***RAIL KING***  
By MTH Electric Trains

# Steamer

## 2-8-0

30-4023-0

30-4023-1

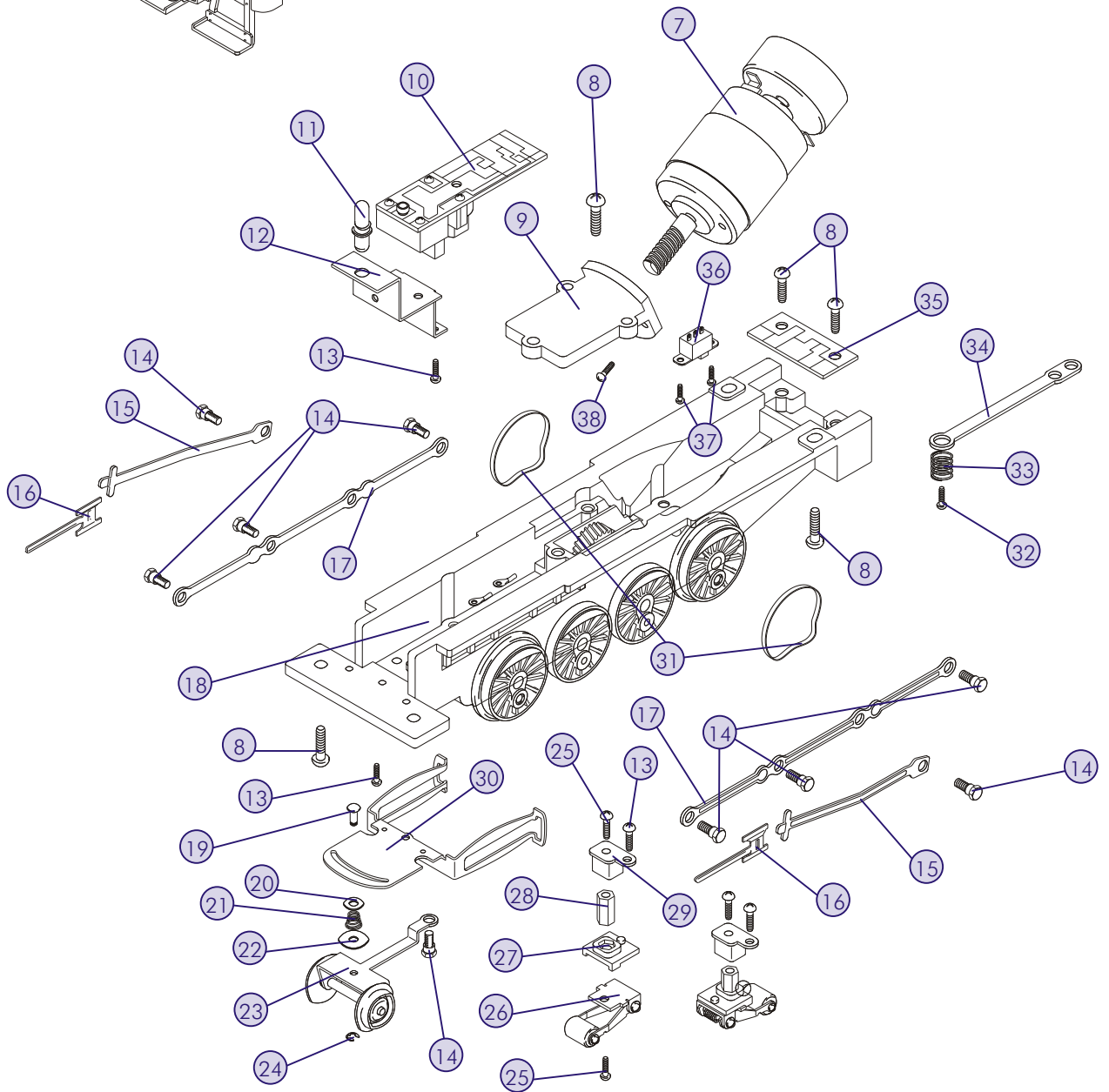
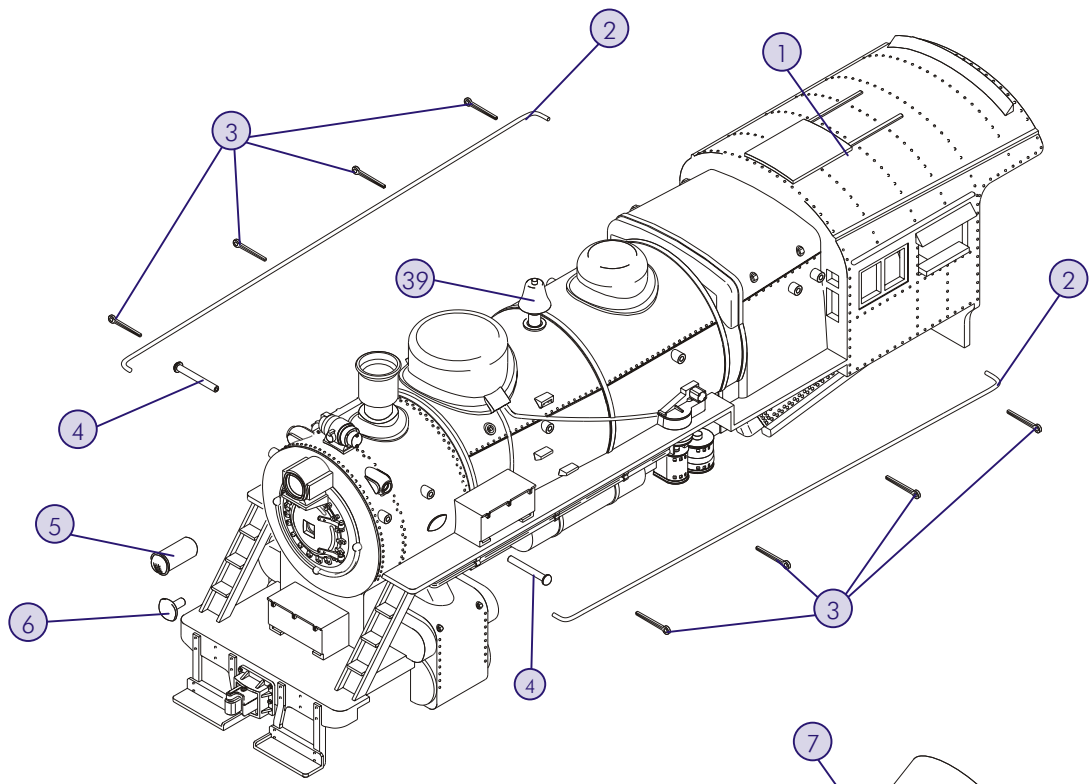


# Railking 2-8-0

## Parts

Name and Number	Part #	Price Per Unit
1.) Shell ( PRR #9915 )	FB-1200098	*125.00
2.) Handrail	FB-1200099	2.00
3.) Stanchion ( black )	FB-1200024	0.25
4.) Lens ( marker )( green )	FA-1230025	1.00
5.) Lens ( headlight )	FA-1230022	2.00
6.) Number board ( #9915 )	FB-1200100	2.00
7.) Motor ( RS-365SH ) ( 8.0X21.0mm worm gear )( w/ 13.0mm threads )	BE-0000045	25.00
8.) Screw	IA-0000050	0.15
9.) Motor mount	BI-0000034	15.00
10.) Smoke unit	AA-1200013	50.00
11.) Bulb ( headlight ) (18V, screw base)	CA-0230001	1.00
12.) Bracket (smoke unit)(black)	IH-0000085	3.00
13.) Screw	IA-0000003	0.15
14.) Bolt	IA-0000030	1.00
15.) Drive rod ( 82.8mm long )	EC-1250015	2.00
16.) Crosshead ( 38.8mm long )	EC-1250016	1.00
17.) Side rod	EC-1250017	3.00
18.) Drive block ( 4 axle )	DF-1200018	*50.00
19.) Pin	IG-0000007	0.50
20.) Washer	ID-0000028	0.15
21.) Spring	IE-0000016	0.50
22.) Insulator washer	ID-0000029	0.15
23.) Truck ( lead )( single axle )	DA-1230013	10.00
24.) E-clip	IF-0000004	0.15
25.) Screw	IA-0000015	0.15
26.) Pick-up	BD-0000050	5.00
27.) Insulator (pick-up)(bottom)	BD-0000024	2.00
28.) Nut	IC-0000005	0.50
29.) Insulator (pick-up)(top)	BD-0000026	2.00
30.) Pivot plate ( nickel )	IH-0000021	5.00
31.) Traction tires	DE-0000023	0.75
32.) Screw	IA-0000028	0.15
33.) Spring	IE-0000007	0.50
34.) Draw bar	FB-1200079	3.00
35.) PCB board (12.0X32.0mm)	BB-0000018	8.00
36.) Switch ( small )	BB-0000009	5.00
37.) Screw	IA-0000058	0.15
38.) Screw	IA-0000089	0.15
39.) Bell	FB-1200101	6.00

\* REQUIRES EXCHANGE



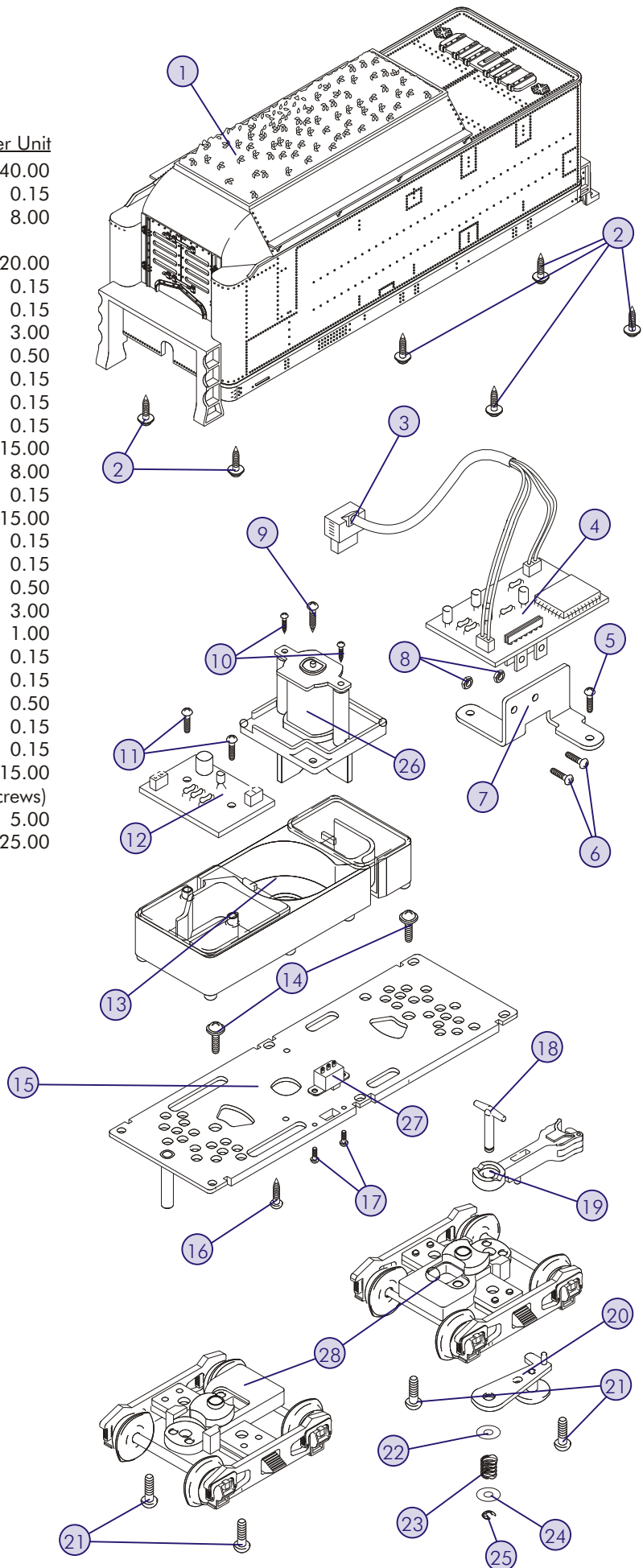
# Railking 2-8-0

## Tender Parts

(Whistle only)

Name and Number	Part #	Price Per Unit
1.) Shell ( tender )( PRR )	GA-1200045	*40.00
2.) Screw	IA-0000069	0.15
3.) Tender wire harness ( 330.0mm long )	BC-0000026	8.00
4.) Board ( reverse unit )	AC-0000005	20.00
5.) Screw	IA-0000021	0.15
6.) Screw	IA-0000264	0.15
7.) Bracket ( reverse unit )	IH-0000085	3.00
8.) Nut	IC-0000010	0.50
9.) Screw	IA-0000057	0.15
10.) Screw	IA-0000072	0.15
11.) Screw	IA-0000084	0.15
12.) Board ( whistle power )	AF-0000001	15.00
13.) Whistle base	AI-0000007	8.00
14.) Screw	IA-0000214	0.15
15.) Chassis	GB-1200025	*15.00
16.) Screw	IA-0000013	0.15
17.) Screw	IA-0000058	0.15
18.) T-bar	IG-0000001	0.50
19.) Coupler	DD-0000011	3.00
20.) Armature	DD-0000012	1.00
21.) Screw	IA-0000003	0.15
22.) Washer ( insulator )( clear )	ID-0000031	0.15
23.) Spring	IE-0000012	0.50
24.) Washer	ID-0000022	0.15
25.) E-clip	IF-0000002	0.15
26.) Whistle motor assembly (complete w/ motor, motor mount, impellor and screws)	AI-0000023	15.00
27.) Switch	BB-0000009	5.00
28.) Truck ( 2 axle )	DA-1250008	25.00

\*REQUIRES EXCHANGE



# 2-8-0 Steamer

## Proto-Sound® Parts

Name and Number	Part #	Price Per Unit
1.) Proto-sound board ( top )	AE-4500001	*100.00
2.) Proto-sound chip	N/A	*19.95
3.) Proto-sound board (bottom)	AD-4500001	*60.00
4.) Screw	IA-0000021	0.15
5.) Bracket ( speaker )	IH-0000024	1.00
6.) Speaker	BF-4500008	8.95
7.) Volume pot	BI-0000035	5.00
8.) Bracket ( volume pot )	IH-0000023	2.00
9.) Washer	ID-0000034	0.15
10.) Nut	IC-0000007	0.50
11.) Proto-coupler	DD-0000001	10.00
12.) Screw	IA-0000263	0.15
13.) Screw	IA-0000003	0.15
14.) Chassis	GB-1200026	*15.00
15.) Screw	IA-0000047	0.15
16.) Bracket (Proto-sound board)	IH-0000025	3.00
17.) Insulator	ID-0000024	0.15
18.) Insulator washer	ID-0000033	0.15
19.) Bracket (Proto-sound board)	IH-0000084	3.00
20.) Battery leads	BC-0000002	3.00
21.) Battery	BG-4000001	9.95
22.) Bracket ( battery )	IH-0000074	3.00
23.) Tender wire harness	BC-0000024	8.00

\*REQUIRES EXCHANGE

## Proto-Sound® Parts

