

RAILKING[®]
By M.T.H. Electric Trains

30-4070-1

2-8-0 Steam Engine



AE093002

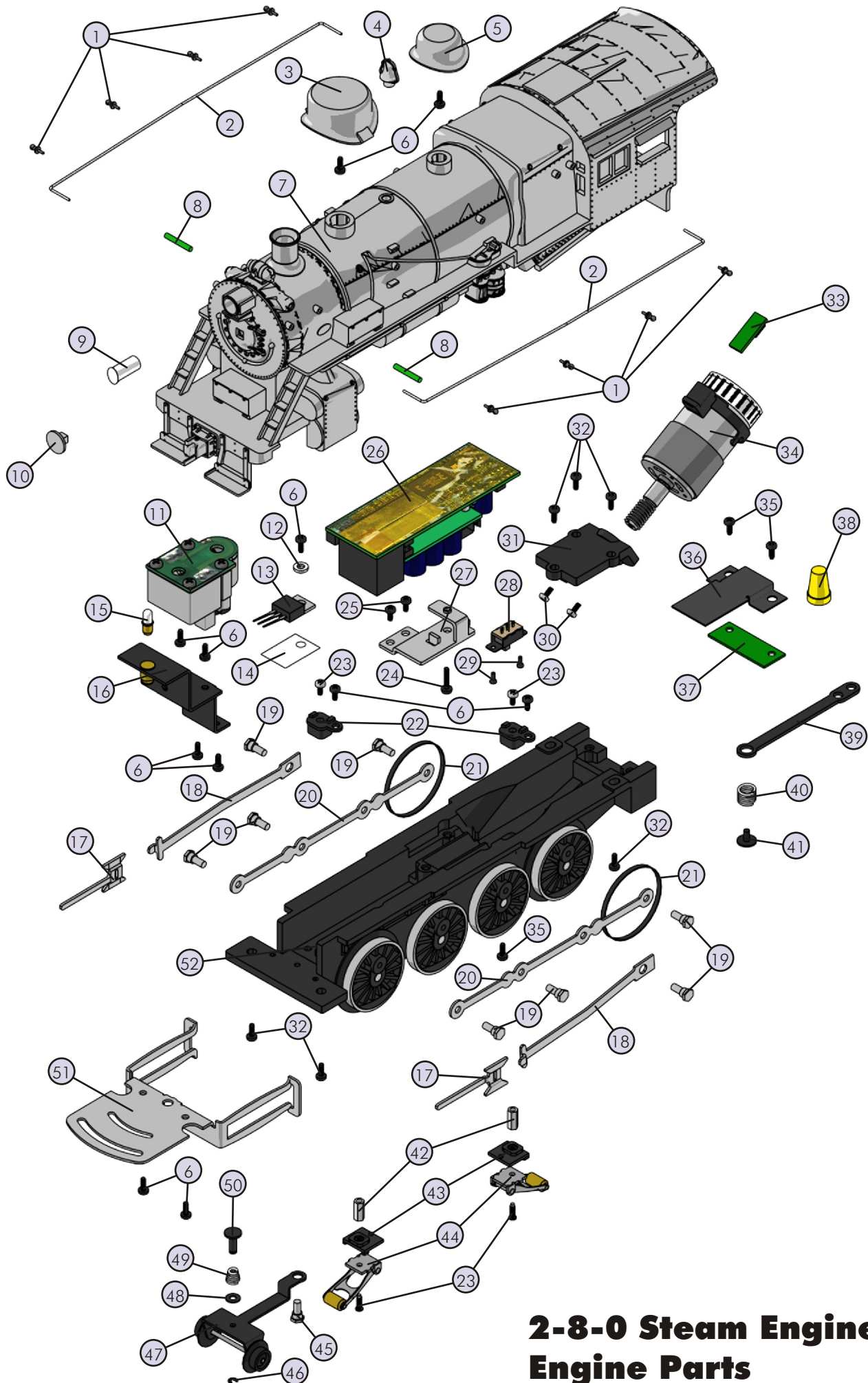
REV.122602

2-8-0 Steam Engine

Engine Parts

Name and Number	Part #	\$Price Per Unit	Name and Number	Part #	\$Price Per Unit
1.) Stanchion (black) (plastic)(3.0mm long)	FB-1200242	0.50	35.) Screw (6/32x6.0mm)(roundhead)	IA-0000027	0.15
2.) Handrail (nickel)(boiler)	FB-1200099	2.00	36.) Bracket (black) (metal)(18.6x32.4x40.5mm)(T shaped)	IH-0000211	3.00
3.) Sand dome (black)	FB-1200246	10.00	37.) PC board (green) (w/ 10 pin female plug)	AG-0000039	8.00
4.) Bell (nickel)	FB-1200101	6.00	38.) Wire nut (yellow)	BI-4500003	0.25
5.) Steam dome (black)	FB-1200247	8.00	39.) Draw bar (black) (67.5mm long)	FB-1200079	3.00
6.) Screw (4/40x6.0mm)(roundhead)	IA-0000003	0.15	40.) Spring (6.5x10.0mm)(w/ 0.6mm thick wire)	IE-0000061	0.50
7.) Shell (black) (Union Pacific)(# 1757)	FB-1200238	*100.00	41.) Screw (4/40x6.0mm)(washer head)	IA-0000028	0.15
8.) Lens (green)(marker)	FA-1230025	1.00	42.) Nut (nickel)(2.5x5.0x10.0mm)	IC-0000005	0.50
9.) Lens (clear)(headlight)	FA-1230022	2.00	43.) Insulator (black) (pick-up)(bottom)(flat)(square)	BD-0000024	2.00
10.) Number board (black) (Union Pacific)(# 1757)	FB-1200250	3.00	44.) Pick-up (8.0x11.0mm roller)(24.0mm long)	BD-0000050	5.00
11.) Smoke unit (7.0x8.0x2.0x3.7mm brass cup)(7.5mm long posts) (Proto-Sound 2.0® & Loco Sound®)	AA-0000029	50.00	45.) Bolt (nickel)(M3x9.5mm long) (4.0x2.5mm shoulder)(5.0mm hex head)	IA-0000253	1.00
12.) Insulator washer (white) (3.0x6.0x3.0mm)	ID-0000025	0.15	46.) E-clip (2.5x6.0x0.5mm)	IF-0000004	0.15
13.) Voltage regulator (LM2937ET)	AG-0000032	3.00	47.) Truck (lead)(single axle)	DA-1230013	10.00
14.) Insulator (clear) (13.0x16.0x0.1mm)(single hole)	ID-0000024	0.15	48.) Washer (3.0x7.0x0.4mm)	ID-0000028	0.15
15.) Bulb (clear)(headlight) (6V)(small globe)(screw base)	CA-0000038	1.00	49.) Spring (6.5x11.0mm)(w/ 0.4mm thick wire)	IE-0000007	0.50
16.) Bracket (black) (smoke unit / headlight)	IH-0000085	3.00	50.) Pin (3.0x9.0mm)(flathead)(1 e-clip groove)	IG-0000007	0.50
17.) Crosshead (nickel) (38.8mm long)	EC-1250016	1.00	51.) Pivot plate (nickel) (for lead truck)	IH-0000021	5.00
18.) Drive rod (nickel)	EC-1250015	2.00	52.) Drive block (black)(4 axle)	DF-1200037	*50.00
19.) Bolt (nickel) (M3x9.5mm long)(hex head 5.0mm) (4.0x2.5mm shoulder)	IA-0000253	1.00	NS.) Wire harness (12 pin black male plug)	BC-1200098	12.00
20.) Side rod (nickel) (116.0mm long)(4 holes)	EC-1250017	3.00	NS.) Wire harness (7 pin black male plug)	BC-1200099	8.00
21.) Traction tires	DE-0000023	0.75	NS.) Wire harness (5 pin black male plug)	BC-1200100	4.00
22.) Insulator (black) (top)(square)(pick-up)	BD-0000026	2.00	NS.) Wire harness (4 pin black male plug)	BC-1200101	4.00
23.) Screw (nickel) (M3x6.0mm)(roundhead)	IA-0000015	0.15			
24.) Screw (6/32x12.0mm)(roundhead)	IA-0000103	0.15			
25.) Screw (M3x4.0mm)(roundhead)	IA-0000010	0.15			
26.) Boards (Proto-Sound 2.0®)	AE-0000001	*200.00			
27.) Bracket (Aluminum) (for Proto-Sound 2.0® boards) (16.2x32.9mm)(side mounting)	IH-0000210	3.00			
28.) Switch (small)	BB-0000009	5.00			
29.) Screw (M2x4.0mm)(roundhead)	IA-0000058	0.15			
30.) Screw (yellow Zink) (M2.5x6.0mm)(roundhead w/ lock washer)	IA-0000089	0.15			
31.) Motor mount (black)	BI-0000034	15.00			
32.) Screw (6/32x8.0mm)(roundhead)	IA-0000050	0.15			
33.) Tach board (no spacer between board and optical sensor)	AG-0000033	6.00			
34.) Motor (RS-365SH) (8.0x21.0mm worm gear)(12.0mm long threads) (9.0x30.0mm white flywheel w/ black stripes) (black plastic tach board mounting strap) (black plastic wire shield w/ 2 wire clips)	BE-0000076	25.00			

*Requires Exchange
All parts are priced as each



2-8-0 Steam Engine Engine Parts

2-8-0 Steam Engine Tender

Tender Parts

Name and Number	Part #	\$Price Per Unit
1.) Shell (black)(tender)(plastic) (Union Pacific)(# 1757)	GA-1200095	*40.00
2.) Screw (M3x8.0mm)(roundhead)	IA-0000035	0.15
3.) Speaker cone (black) (44.0x48.3x37.0mm)(plastic)(2 screw hole tabs)	BF-0000020	4.00
4.) Speaker (STAR)(PR-050-A111)(16 ohms)(MAX 2W)	BF-0000007	8.95
5.) Gasket (black) (speaker ring)(43.8x49.8x3.0mm)(foam)	IB-0000009	0.50
6.) Wire harness (black) (10 pin male plug)(w/ 295.0mm long wires) (black, white & blue 2 pin female plugs) (battery jack & small volume pot)	BC-1200102	15.00
7.) Battery jack (black)	BG-0000001	3.00
8.) Screw (M2x4.0mm)(roundhead)	IA-0000058	0.15
9.) Spacer (black) (3.0x6.0x4.3mm)(plastic)	ID-0000071	0.15
10.) Volume pot (small) (blue pot mounted on green PC board)	BI-0000040	5.00
11.) Battery leads (60.0mm long wires w/ blue 2 pin male plug)	BC-0000094	3.00
12.) Screw (M3x4.0mm)(roundhead)	IA-0000010	0.15
13.) Battery	BG-4000001	9.95
14.) Bracket (black) (battery)(horizontal side mount)(plastic)	IH-0000116	3.00
15.) Chassis (black) (58.0x175.0mm)(has new hole for battery jack)	GB-1200047	*15.00
16.) T-bar (black)(plastic)	IG-0000001	0.50
17.) Proto-Coupler 2.0® (51.0mm long)	DD-0000032	10.00
18.) Spring (nickel) (6.5x14.0mm)(0.5mm thick wire)	IE-0000022	0.50
19.) E-clip (3.0x8.0x0.5mm)	IF-0000002	0.15
20.) Screw (M3x16.0mm)(washer head)(self-drilling threads)	IA-0000025	0.15
21.) Screw (6/32x6.0mm)(washer head)	IA-0000214	0.15
22.) Truck (black)(tender)(2 axle)	DA-1250012	25.00
23.) Screw (4/40x6.0mm)(roundhead)	IA-0000003	0.15
24.) Washer (4.5x10.0x0.6mm)	ID-0000041	0.15

*Requires Exchange
All parts are priced as each

2-8-0 Steam Engine Tender

Tender Parts

