

RAILKING[®]
By M.T.H. Electric Trains

S-2 Turbine

6-8-6

30-4037-1a

30-4037-0a

30-4038-1a

30-4038-0a



Rev. 01-24-01



6-8-6 Turbine Steam Engine

Engine Parts

Name and Number	Part #	\$Price Per Unit	Name and Number	Part #	\$Price Per Unit
1.) Stanchion (black)	FB-1200024	0.25	36.) Washer (5.0x12.0x0.6mm)	ID-0000053	0.15
2.) Handrail (nickel)	FB-1210040	2.00	37.) Truck (trailing)(boiler)(3 axle)	DA-1240033	30.00
(20.0x207.0mm)(right)			38.) Spacer (7.0x9.0x4.0mm)	ID-0000096	1.00
3.) Handrail (nickel)	FB-1220047	2.00	39.) Screw	IA-0000214	0.15
(20.0x207.0mm)(left)			(6/32x6.0mm)(washer head)		
4.) Shell (Pennsylvania)	FB-1200185	*100.00	40.) Screw	IA-0000050	0.15
(Brunswick green)(steel grey smoke box)			(6/32x8.0mm)(roundhead)		
(#6200 gold numbers)(cast metal)			41.) Nut (2.5x5.0x10.0mm)	IC-0000005	0.50
5.) Marker lens (green)	FA-1230003	1.00	42.) Insulator (black)	BD-0000001	2.00
(2.2x13.3mm)(2.8x1.2)(plastic)			(pick-up)(bottom)(square)		
6.) Lens (clear)	FA-1230022	2.00	43.) Pin (3.0x15.0mm)	IG-0000003	0.50
(headlight)(7.0x6.0x13.0mm)			(6.0x1.3mm roundhead)(1 e-clip groove)		
7.) Number plate (#6200)	FB-1230005	4.00	44.) Bracket (lead truck)	GA-1200068	3.00
(boiler front)(Keystone)(Tuscan & gold)			(37.0mm long)(1.0mm thick)(2 bends)		
8.) Smoke Unit	AA-0000029	50.00	45.) Spring	IE-0000009	0.50
(Proto-Sound 2.0®)			(6.5x9.0mm)(0.5mm thick wire)		
9.) Bulb (6v)(clear)	CA-0000038	1.00	46.) E-clip (2.5x6.0x0.5mm)	IF-0000004	0.15
(small globe)(screw base)(headlight)			47.) Insulator washer (white)	ID-0000033	0.15
10.) Screw	IA-0000003	0.15	48.) Voltage regulator	AG-0000032	3.00
(4/40x6.0mm)(roundhead)			(LM2937ET)		
11.) Bracket (black)(metal)	IH-0000172	3.00	49.) Insulator (clear)	ID-0000024	0.15
(3 step)(headlight/smoke unit)			(13.0x19.0x0.1mm)(single hole)		
12.) Traction tire	DE-0000022	0.75	50.) Truck (black)	DA-1230023	30.00
13.) Bolt (M3x8.0mm)(nickel)	IA-0000087	1.00	(boiler)(lead)(3 axle)		
(5.0mm hex head)(4.0x2.5mm shoulder)			51.) Spacer (cup)	ID-0000014	1.00
14.) Side rod (nickel)	EC-1250024	2.00	(3.5x15.0x2.5mm)		
(1.0x85.0mm)(4 holes)			52.) Pick-up	BD-0000048	5.00
15.) Drive block (black)(4 axle)	DF-1200028	*75.00	(8.0x11.0mm roller)(28.0mm long)		
16.) Insulator (pick-up)(top)	BD-0000047	2.00	53.) Screw	IA-0000021	0.15
17.) Screw (nickel)	IA-0000015	0.15	(4/40x4.0mm)(roundhead)		
(M3x6.0mm)(roundhead)			54.) Wire nut (yellow)	BI-4500003	0.25
18.) Screw	IA-0000264	0.15	NS.) Wire harness	BC-1200019	15.00
(4/40x12.0mm)(roundhead)			(10 pin green female PC board)		
19.) Bracket (Aluminum)	IH-0000170	3.00	NS.) Wire harness	BC-1200014	8.00
(Proto-Sound 2.0®)			(7 pin black male plug)		
20.) Boards (Proto-Sound 2.0®)	AE-0000001	*200.00	NS.) Wire harness	BC-1200015	5.00
21.) Screw	IA-0000058	0.15	(5 pin black male plug)		
(M2x4.0mm)(roundhead)			NS.) Wire harness	BC-1200020	4.00
22.) Switch (small)	BB-0000009	5.00	(4 pin black male plug)		
23.) Screw (yellow Zinc)	IA-0000089	0.15	NS.) Wire harness	BC-1200024	2.00
(M2.5x6.0mm)(roundhead w/ lock washer)			(single metal eyelet mounted on 70.0mm long red wire)		
24.) Screw	IA-0000040	0.15	NS.) Wire harness	BC-1200025	2.00
(6/32x10.0mm)(roundhead)			(single metal eyelet mounted on 70.0mm long black wire)		
25.) Motor mount (black)	BI-0000034	15.00	NS.) Wire harness	BC-1200026	2.00
26.) Screw	IA-0000027	0.15	(two metal eyelets connected together by a 40.0mm red wire)		
(6/32x6.0mm)(roundhead)			NS.) Insulator (sleeve)(black)	BD-0000068	1.00
27.) PC board (10 pin)(female)	AG-0000039	8.00	NS.) Truck frame (black)	DA-1250013	7.00
28.) Tach board	AG-0000033	6.00	(3 axle)(leading/trailing)(engine)		
(Proto-Sound 2.0®)			NS.) Truck side frame (black)	DA-1230025	7.00
29.) Motor (RS-365SH)	BE-0000076	25.00	(3 axle)(leading)(engine)		
(8.0x21.0mm worm gear)(13.0mm long threads)			NS.) Truck side frame (black)	DA-1240035	7.00
(w/ tach board mounting strap)(9.0x30.0mm flywheel)			(3 axle)(trailing)(engine)		
30.) Tach tape	BE-0000069	1.00	NS.) Bracket (black)	IH-1230007	7.00
(1.96mm wide stripes)(fits 30.0mm flywheel)			(3 axle)(leading)(truck)(engine)		
(black & white striped tape)			(square opening)		
31.) Pin (5.0x25.0mm)(black)	IG-0000033	0.50	NS.) Bracket (black)	IH-1240001	7.00
(8.0x1.5mm flathead)(2 e-clip grooves)			(3 axle)(trailing)(truck)(engine)		
32.) Draw bar	FB-1200183	3.00	(oval opening)		
(10.0x105.0mm)(multiple bend w/ tender hook)					
33.) Washer (5.0x12.0x0.8mm)	ID-0000012	0.15			
34.) E-clip (3.5x9.0x0.6mm)	IF-0000009	0.15			
35.) Spring (conical)	IE-0000062	0.50			
(6.0x12.5x13.0mm)(0.6mm thick wire)					

*Requires Exchange
All parts priced as each



6-8-6 Turbine Steam Engine

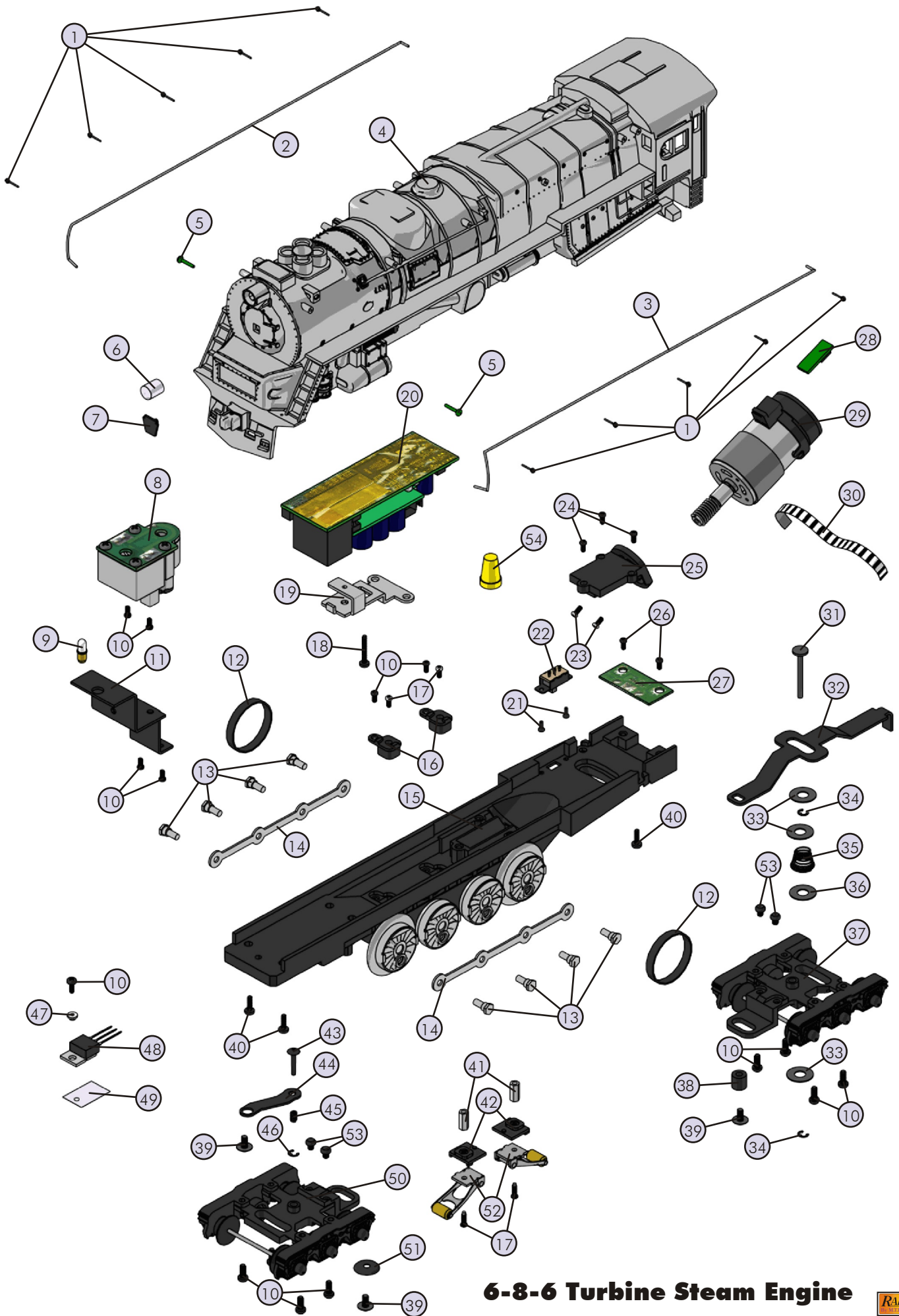
Engine Parts

Name and Number Part # \$Price Per Unit

Loco-Sound® Parts

10.) Screw (4/40x6.0mm)(roundhead)	IA-0000003	0.15
19.) Bracket (Aluminum) (for Loco-Sound® board)	IH-0000169	3.00
20.) Boards (Loco-Sound®)	AE-0000003	*100.00
47.) Insulator washer (white)	ID-0000033	0.15
49.) Insulator (clear) (13.0x19.0x0.1mm)(single hole)	ID-0000024	0.15
NS.) Ferrite bead	AI-0000030	2.00
NS.) Capacitor (blue) (.01 micro uF)(w/ 2 wires)	AI-0000031	2.00
NS.) Wire harness (10 pin green female PCB)	BC-1200021	12.00
NS.) Wire harness (7 pin black male plug)	BC-1200014	8.00
NS.) Wire harness (5 pin black male plug)	BC-1200015	5.00
NS.) Wire harness (4 pin black male plug)	BC-1200020	4.00

*Requires Exchange
All parts are priced as each



6-8-6 Turbine Steam Engine

6-8-6 Steam Turbine Tender

Tender Parts

Name and Number	Part #	\$Price Per Unit
1.) Shell (Pennsylvania) (Brunswick green)(gold lettering)(plastic)	GA-1200069	*40.00
2.) Battery leads (190.0mm long wires)	BC-0000085	3.00
3.) Battery	BG-4000001	9.95
4.) Screw (M3x6.0mm)(roundhead)	IA-0000016	0.15
5.) Screw (M3x3.0mm)(roundhead)	IA-0000296	0.15
6.) Speaker cone (black) (44.0x48.0x23.0mm)(2 screw hole tabs)(plastic)	BF-0000016	5.00
7.) Bracket (battery)	IH-0000042	3.00
8.) Speaker (Cuistack)(GF0501)(16 ohms)(0.25 watt)	BF-0000007	8.95
9.) Screw (M3x8.0mm)(roundhead)	IA-0000035	0.15
10.) Volume pot (small) (blue w/ green board)	BI-0000040	5.00
11.) Spacer (black)(plastic) (3.0x6.0x4.0mm)	ID-0000071	0.15
12.) Wire harness	BC-1200017	12.00
13.) Chassis (black) (58.0x192.0mm)(tender)(metal)	GB-1200039	*15.00
14.) Screw (M3x15.0mm)(washer head)(self-drilling)	IA-0000262	0.15
15.) Screw (4/40x6.0mm)(washer head)	IA-0000028	0.15
16.) Draw bar (1 step, 2 bends) (60.7x10.0x1.2mm)(3 large holes, 1 small hole)	GA-1200070	3.00
17.) Screw (6/32x6.0mm)(washer head)	IA-0000214	0.15
18.) T-bar	IG-0000001	0.50
19.) Proto-Coupler 2.0® (51.0mm long)	DD-0000032	10.00
20.) Spring (6.5x14.0mm)(0.5mm thick wire)	IE-0000022	0.50
21.) Washer (4.5x10.0x0.5mm)	ID-0000009	0.15
22.) E-clip (3.0x8.0x0.5mm)	IF-0000001	0.15
23.) Truck (black) (3 axle)(leading/trailing)(tender)	DA-1250005	30.00
24.) Gasket (black) (43.8x49.8x3.0mm)(foam)	IB-0000009	0.50
NS.) Axle bearing (black) (3 axle)(plastic)	DC-0000005	3.00
NS.) Wire harness (2 pin white male plug)	BC-1200022	2.00
NS.) Wire harness (2 pin black male plug) (wires connect to PS 2.0 coupler)	BC-1200023	2.00

Tender Parts

Name and Number	Part #	\$Price Per Unit
21.) Washer (black) (4.6x8.5x0.5mm)(plastic)(cup shaped for spring)	ID-0000060	0.15
NS.) Coupler (mechanical)(51.0mm long)	DD-0000011	3.00
NS.) Armature (45.0mm long)	DD-4000007	1.00

*Requires Exchange
All parts are priced as each

Loco-Sound® Only Parts

8.) Speaker (Cuistack)(GF0501)(8 ohms)(0.25 watt)	BF-0000015	8.95
12.) Wire harness (10 pin male plug)(270.0mm long wires) (1 white female 2 pin plug)	BC-1200021	12.00
13.) Chassis (black) (58.0x192.0mm)(tender)(metal)	GB-1200038	*15.00
20.) Spring (6.5x11.0mm)(0.5mm thick wire)	IE-0000063	0.50

6-8-6 Steam Turbine Tender

