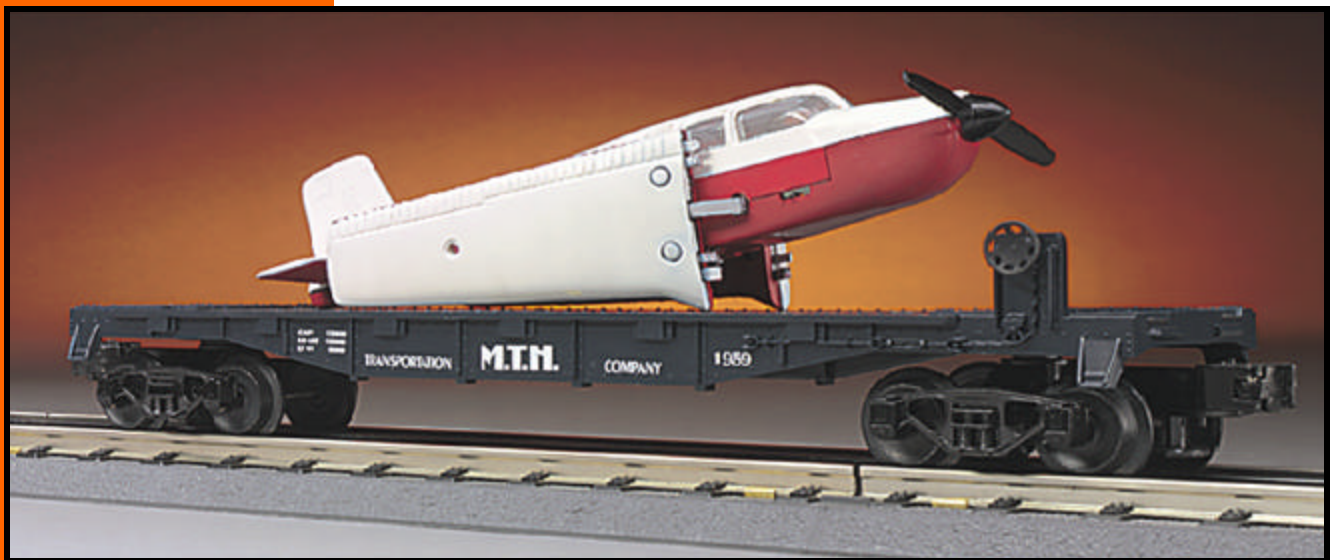


**RAILKING**<sup>®</sup>  
By M.T.H. Electric Trains

30-7621

# Flat Car w/Plane



REV.050602

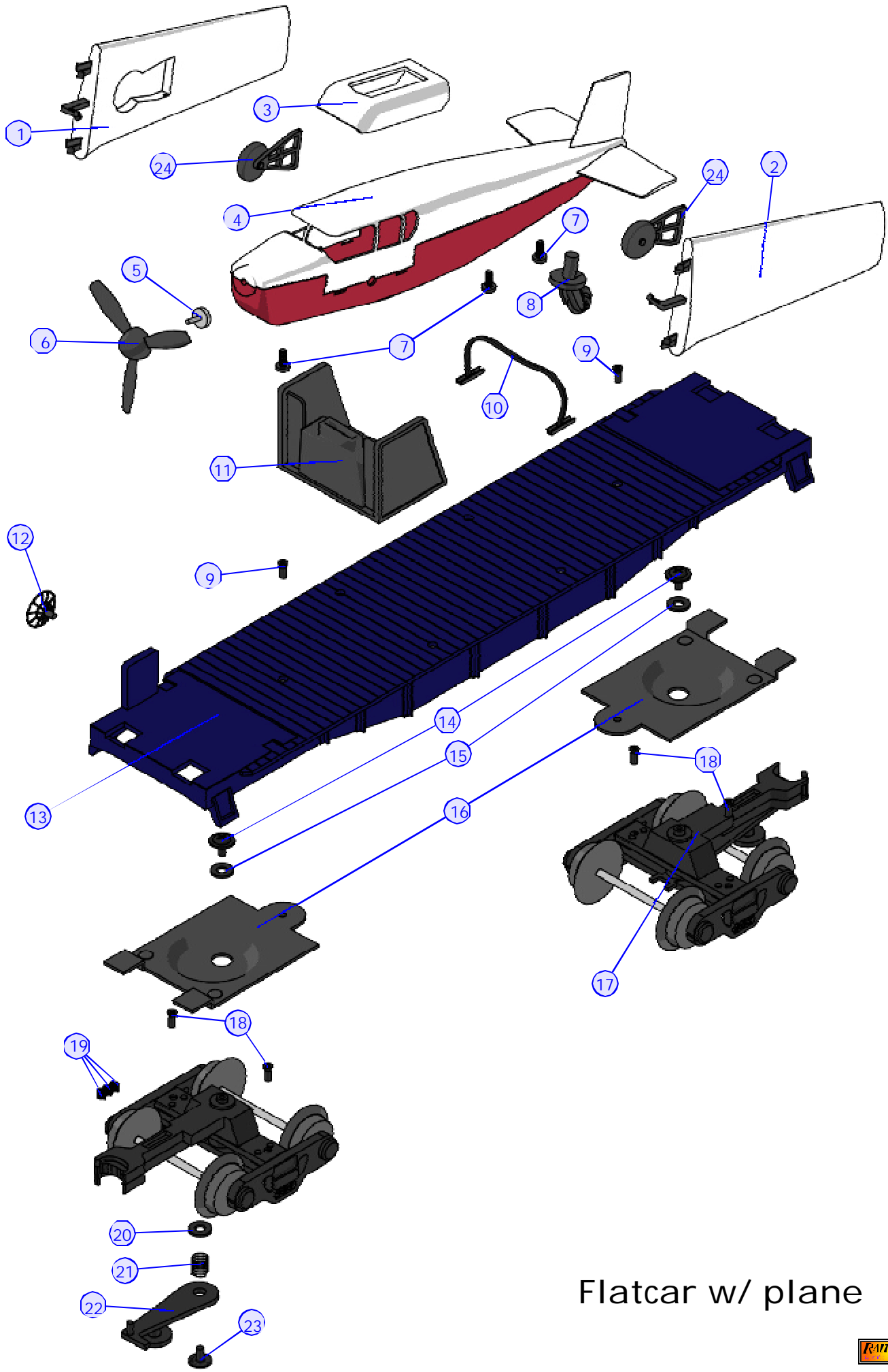
# Flatcar w/ plane

## Plane & car Parts

Name and Number	Part#	\$Price Per Unit
1.) Wing (red,white,black) (right)(w/wheelassembly)	HH-4210001	5.00
2.) Wing (red,white,black) (left)(w/wheelassembly)	HH-4220001	5.00
3.) Windowlens(clear) (windshield&sidewindows)	FA-4200008	3.00
4.) Fuselage(red,white) (M.T.H.AIRSERVICE)(#400E)	HH-4200001	12.00
5.) Pin(nickel)(forpropeller)	IG-0000016	1.00
6.) Propeller(black) (3bladepropeller)	HH-4200002	3.00
7.) Screw (M2.6x8.0mm)(roundhead)(plasticcuttingthreads)	IA-0000272	0.15
8.) Wheelassembly(black) (trailing)	HH-4200003	3.00
9.) Screw (M2.5x6.0mm)(flathead)	IA-0000178	0.15
10.) Elasticstrap(black) (102.0mmlong)	IH-0000097	1.00
11.) Planesupport(black)	HH-4200004	4.00
12.) Brakewheel(black)	HB-4200007	1.00
13.) Shell(bluew/whiteletters) (#1959)(M.T.H.TransportationCompany)	HE-4200025	*12.00
14.) Screw (M3x5.0mm)(w/8.0mmwasher)(washerhead)	IA-0000268	0.15
15.) Washer (6.2x10.0x0.7mm)	ID-0000061	0.15
16.) Truckmountingplate(black) (metal)(fitsstandardflatcarsw/2axletruck)	HE-4200026	4.00
17.) Truck(black)(2axle) (Railkingfreighttruck)(w/3springsperside) (blacktrucksideframes)	DA-0200001	5.00
18.) Screw (M2.5x5.0mm)(flathead)	IA-0000180	0.15
19.) Spring(nickel) (truckside springs)(2.5x5.0x0.2mm)	IE-0000033	0.25
20.) Insulatorwasher(clear) (5.0x10.0x0.3mm)	ID-0000065	0.15
21.) Spring(nickel) (6.5x8.0mm)(w/0.4mmthickwire)	IE-0000034	0.50
22.) Armature(black) (34.0mmlong)	DD-0000013	1.00
23.) Screw (M3x6.0mm)(washerhead)	IA-0000215	0.15
24.) Landinggear(black) (fitsontowings)(plastic)	HH-4200005	3.00

\*Requires Exchange  
All parts are priced as each





Flatcar w/ plane

