

RAILKING[®]
By M.T.H. Electric Trains

30-2172-1

PA ABA Set



GL071201



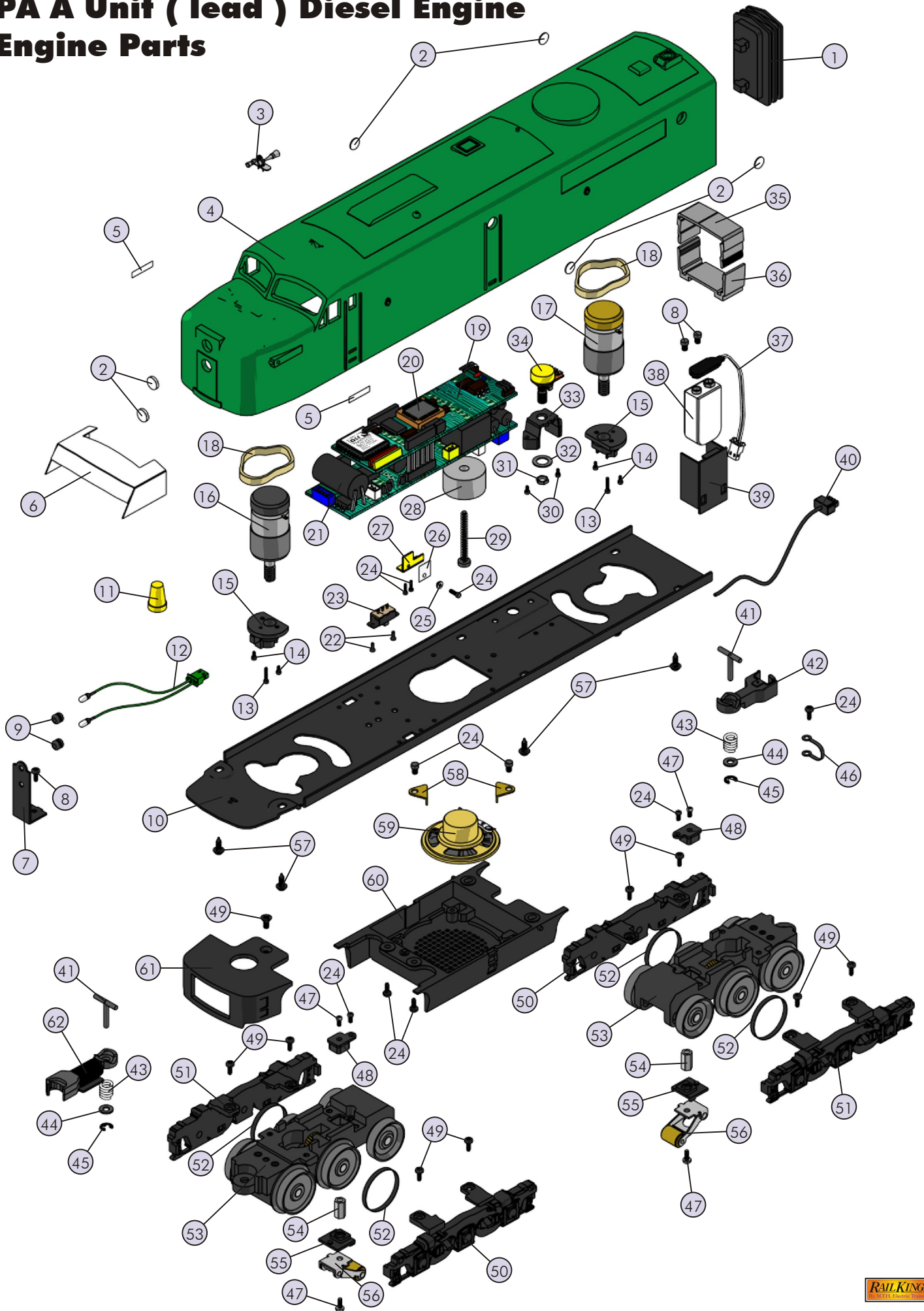
PA A Unit (lead) Diesel Engine

Engine Parts

Name and Number	Part #	\$Price Per Unit	Name and Number	Part #	\$Price Per Unit
1.) Diaphragm	FI-0000017	2.00	36.) Clip (black)	IF-0000007	1.00
2.) Lens (clear)(portal/headlight)	FA-0000092	2.00	(Proto-Sound® board)(bottom)(plastic)		
3.) Air horns (nickel)(2 chime)	FC-2200254	3.00	37.) Battery leads	BC-0000038	3.00
4.) Shell (orange, black, silver)	FC-2200255	*85.00	(150.0mm long wires w/ white male 2 pin plug)		
(A unit)(Train Collectors Association)			38.) Battery	BG-4000001	10.00
5.) Number board (# 4599)	FG-2200042	0.50	39.) Bracket (black)	IH-0000042	3.00
(black background w/ white letters)			(battery)(vertical mount)(plastic)		
6.) Windows (clear)	FA-2230019	5.00	40.) Wire harness	BC-2200015	8.00
7.) Bracket (black)	IH-0000252	3.00	(black male 4 pin plug)(300.0mm long black wires)		
(metal)(12.0x35.5mm)(L-shaped)(for headlight)			(345.0mm long yellow wire w/ blue male 4 pin plug)		
8.) Screw	IA-0000275	0.15	(260.0mm long wires w/ green male 2 pin plug)		
(4/40x3.0mm)(roundhead)			41.) T-bar (black)(plastic)	IG-0000001	0.50
9.) Grommet (black)	IH-0000010	0.50	42.) Coupler (black)	DD-4000005	3.00
(4.5x5.0mm)(rubber)			(non-operating)(34.5mm long)(T-bar mounting)		
10.) Chassis (black)	DH-2200056	*15.00	43.) Spring (nickel)	IE-0000022	0.50
(powered A unit)			(6.5x14.0mm)(w/ 0.5 mm thick wire)		
11.) Wire nut (yellow)	BI-4500003	0.25	44.) Washer (4.5X10.0X0.6mm)	ID-0000041	0.15
12.) Bulbs (clear)(2)(1.5v)	CA-0000052	3.00	45.) E-clip (3.0x8.0x0.5mm)	IF-0000002	0.15
(220.0mm long blue wires w/ blue male 2 pin plug)			46.) Wire strap (black)(metal)(small)	IH-0000012	1.00
(headlight)			47.) Screw (nickel)	IA-0000015	0.15
13.) Screw	IA-0000012	0.15	(M3x6.0mm)(roundhead)		
(M3x14.0mm)(roundhead)(w/ lock washer)			48.) Insulator (black)	BD-0000026	2.00
14.) Screw (yellow Zinc)	IA-0000001	0.15	(top)(square)(pick-up)		
(M2.5x6.0mm)(roundhead)(w/ lock washer)			49.) Screw	IA-0000038	0.15
15.) Motor mount (black)	BI-0000029	15.00	(4/40x6.0mm)(flathead)		
(for RK 3 axle truck)			50.) Truck side (black)	DB-2200011	9.00
16.) Motor (RS-365SH)	BE-0000094	25.00	(right rear/left front)(for 3 axle truck)		
(7.9x24.0mm worm gear w/ 13.0mm long threads)			51.) Truck side (black)	DB-2200012	9.00
(9.0x30.0mm black tapered flywheel)			(left rear/right front)(for 3 axle truck)		
17.) Motor (RS-365SH)	BE-0000095	25.00	52.) Traction tire	DE-0000018	0.75
(7.9x24.0mm worm gear w/ 13.0mm long threads)			53.) Truck (powered)(3 axle)	DA-2050009	*35.00
(9.0x30.0mm brass tapered flywheel)			(powered)(3 axle)(single screw pilot mount)		
18.) Rubber band	BI-4500004	0.50	54.) Nut (nickel)(2.5x5.0x7.0mm)	IC-0000008	0.50
19.) Board	AE-4500001	*100.00	55.) Insulator (black)	BD-0000006	2.00
(Proto-Sound®)(top)			(pick-up)(bottom)(square)(flat)		
20.) Proto-Sound® chip	N/A	19.95	56.) Pick-up	BD-0000013	5.00
21.) Board	AD-4500001	*60.00	(8.0x11.0mm roller)(24.0mm long)		
(Proto-Sound®)(bottom)			57.) Screw	IA-0000107	0.15
22.) Screw	IA-0000058	0.15	(M3x18.0mm)(washer head)(self-drilling)		
(M2x4.0mm)(roundhead)			58.) Bracket (black)	IH-0000231	1.00
23.) Switch (large)	BB-0000006	5.00	(speaker)(10.0x12.0x5.0mm)(1.0mm thick)		
24.) Screw	IA-0000003	0.15	(rounded corner by mounting end)		
(4/40x6.0mm)(roundhead)			59.) Speaker	BF-4500008	8.95
25.) Insulator (white)	ID-0000025	0.15	(Star, PR-05004-08)(8 ohms)(0.2 watt)		
(washer)(3.0x6.0x3.0mm)(plastic)			60.) Fuel tank (black)	FC-2200256	*15.00
26.) Insulator (clear)	ID-0000024	0.15	(has holes for speaker)		
(13.0x19.0x0.1mm)(single hole)			61.) Pilot (black)	DG-2230013	15.00
27.) Bracket (brass)	IH-0000072	2.00	(single screw hole for mounting pilot)		
(Proto-Sound board mounting)			62.) Proto-Coupler® (black)	DD-0000004	10.00
28.) Heat sink (Aluminum)	AI-0000035	2.00	(44.5mm long)		
(3.0x20.0x16.0mm)					
29.) Screw	IA-0000191	0.15			
(4/40x30.0mm)(roundhead)					
30.) Screw	IA-0000072	0.15			
(M3x8.0mm)(roundhead)(self-drilling)					
31.) Nut	IC-0000007	0.50			
(6.0x10.0x2.0mm)(for volume pot)					
32.) Washer (7.0x12.0x0.5mm)	ID-0000034	0.15			
33.) Bracket (volume pot)	IH-0000023	2.00			
34.) Volume pot	BI-0000061	5.00			
(B10K SW)(w/ 65.0mm long wires)					
35.) Clip (black)	IF-0000006	1.00			
(Proto-Sound® board)(top)(plastic)					

*Requires Exchange
All parts are priced as each

PA A Unit (lead) Diesel Engine Engine Parts



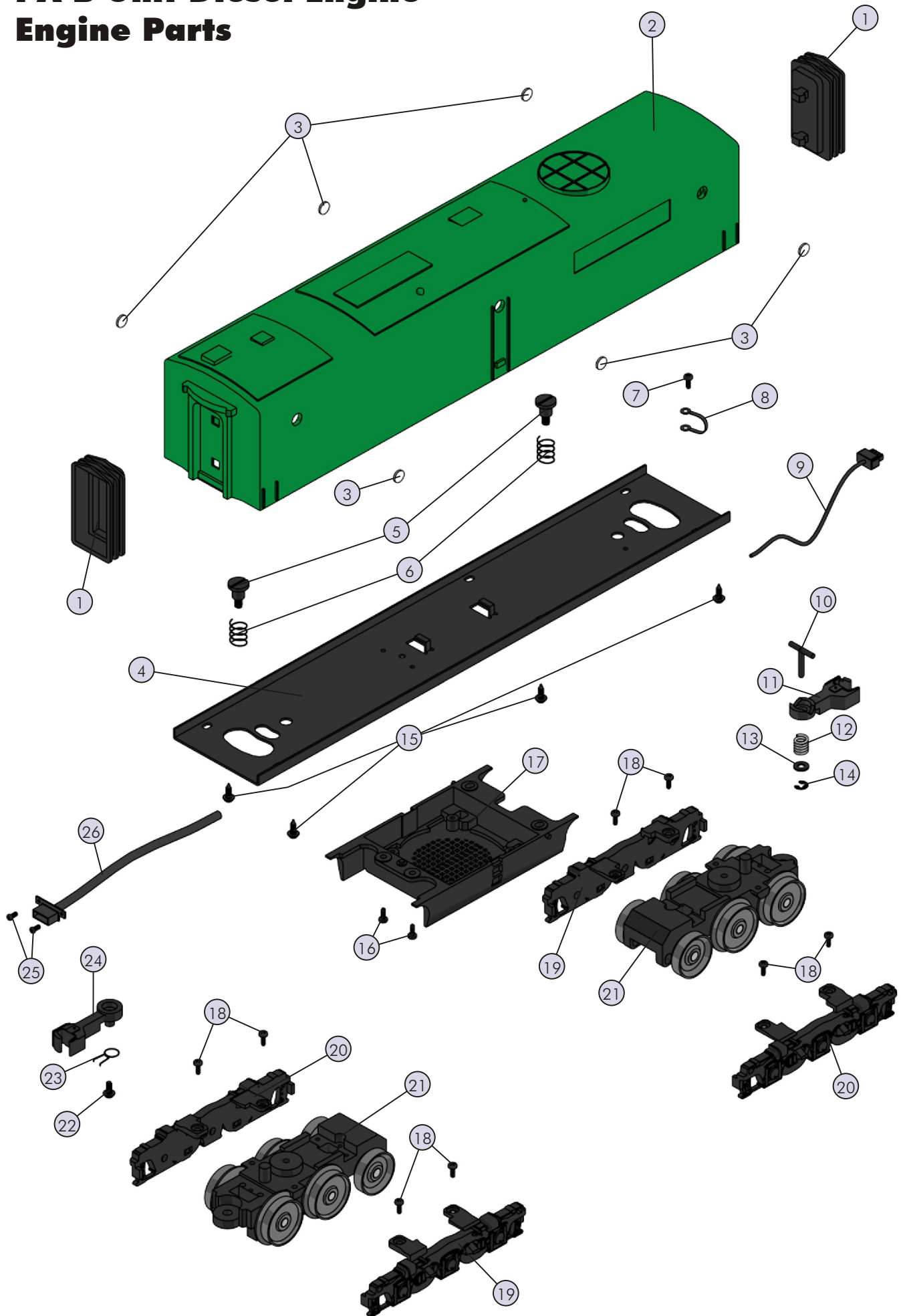
PA B Unit Diesel Engine

Engine Parts

Name and Number	Part #	\$Price Per Unit
1.) Diaphragm	FI-0000017	2.00
2.) Shell (orange, black, silver) (B unit)(Train Collectors Association)	FC-2200257	*85.00
3.) Lens (clear)(portal/headlight)	FA-0000092	2.00
4.) Chassis (black)(B unit)	DH-2200057	*15.00
5.) Bolt (black) (8/32x15.0mm)(6.0x8.0mm oversized shank) (1.8x10.0mm slotted head)	IA-0000088	1.00
6.) Spring (nickel) (8.0x12.0mm)(w/ 0.7 thick wire)	IE-0000026	0.50
7.) Screw (4/40x4.0mm)(roundhead)	IA-0000021	0.15
8.) Wire strap (black)(metal)(small)	IH-0000012	1.00
9.) Wire harness (black male 4 pin plug)(195.0mm long wires) (w/ black & green male 2 pin plug)	BC-2200016	8.00
10.) T-bar (black)(plastic)	IG-0000001	0.50
11.) Coupler (black) (non-operating)(34.5mm long)(T-bar mounting)	DD-4000005	3.00
12.) Spring (nickel) (6.5x14.0mm)(w/ 0.5 mm thick wire)	IE-0000022	0.50
13.) Washer (4.5X10.0X0.6mm)	ID-0000041	0.15
14.) E-clip (3.0x8.0x0.5mm)	IF-0000002	0.15
15.) Screw (M3x18.0mm)(washer head)(self-drilling)	IA-0000107	0.15
16.) Screw (4/40x6.0mm)(roundhead)	IA-0000003	0.15
17.) Fuel tank (black) (has holes for speaker)	FC-2200256	*15.00
18.) Screw (4/40x6.0mm)(flathead)	IA-0000038	0.15
19.) Truck side (black) (right rear/left front)(for 3 axle truck)	DB-2200011	9.00
20.) Truck side (black) (left rear/right front)(for 3 axle truck)	DB-2200012	9.00
21.) Truck (black) (non-powered)(3 axle) (2 tapped holes under coupler mount for PC board)	DA-2000016	*35.00
22.) Screw (M2.5x6.0mm)(washer head)	IA-0000108	0.15
23.) Centering spring (nickel)	IE-0000027	0.50
24.) Coupler (black) (non-operating)(34.5mm long)(screw base mounting)	DD-4000008	3.00
25.) Screw (M2x4.0mm)(roundhead)	IA-0000058	0.15
26.) Wire harness (vertical mount 4 pin PC board)(190.0mm long wires) (w/ black & green male 2 pin plug)	BC-2200017	8.00

*Requires Exchange
All parts are priced as each

PA B Unit Diesel Engine Engine Parts



PA A Unit (trailing) Diesel Engine

Engine Parts

Name and Number	Part #	\$Price Per Unit
1.) Diaphragm	FI-0000017	2.00
2.) Lens (clear)(portal/headlight)	FA-0000092	2.00
3.) Air horns (nickel)(2 chime)	FC-2200254	3.00
4.) Shell (orange, black, silver) (A unit)(Train Collectors Association)	FC-2200255	*85.00
5.) Number board (# 4599) (black background w/ white letters)	FG-2200042	0.50
6.) Windows (clear)	FA-2230019	5.00
7.) Bracket (black) (metal)(12.0x35.5mm)(L-shaped)(for headlight)	IH-0000252	3.00
8.) Grommet (black) (4.5x5.0mm)(rubber)	IH-0000010	0.50
9.) Screw (4/40x3.0mm)(roundhead)	IA-0000275	0.15
10.) Bulbs (clear)(2)(1.5v) (170.0mm long green wires w/ green male 2 pin plug) (rear light)	CF-0000021	3.00
11.) Chassis (black) (non-powered A unit)	DH-2200058	*15.00
12.) Bolt (black) (8/32x15.0mm)(6.0x8.0mm oversized shank) (1.8x10.0mm slotted head)	IA-0000088	1.00
13.) Spring (nickel) (8.0x12.0mm)(w/ 0.7 thick wire)	IE-0000026	0.50
14.) Wire strap (white)(metal)	IH-0000103	1.00
15.) Wire harness (vertical mount 4 pin PC board)(190.0mm long wires) (w/ black & green male 2 pin plug)	BC-2200017	8.00
16.) Screw (M2x4.0mm)(roundhead)	IA-0000058	0.15
17.) Screw (M3x18.0mm)(washer head)(self-drilling)	IA-0000107	0.15
18.) Coupler (black) (non-operating)(34.5mm long)(screw base mounting)	DD-4000008	3.00
19.) Centering spring (nickel)	IE-0000027	0.50
20.) Screw (M2.5x6.0mm)(washer head)	IA-0000108	0.15
21.) Screw (4/40x6.0mm)(flathead)	IA-0000038	0.15
22.) Fuel tank (black) (has holes for speaker)	FC-2200256	*15.00
23.) Screw (4/40x6.0mm)(roundhead)	IA-0000003	0.15
24.) Truck side (black) (right rear/left front)(for 3 axle truck)	DB-2200011	9.00
25.) Truck side (black) (left rear/right front)(for 3 axle truck)	DB-2200012	9.00
26.) Truck (black) (non-powered)(3 axle) (2 tapped holes under coupler mount for PC board)	DA-2000016	*35.00
27.) E-clip (3.0x8.0x0.5mm)	IF-0000002	0.15
28.) Washer (4.5X10.0X0.6mm)	ID-0000041	0.15
29.) Spring (nickel) (6.5x14.0mm)(w/ 0.5 mm thick wire)	IE-0000022	0.50
30.) Proto-Coupler® (black) (44.5mm long)	DD-0000004	10.00
31.) T-bar (black)(plastic)	IG-0000001	0.50
32.) Pilot (black) (single screw hole for mounting pilot)	DG-2230013	15.00

*Requires Exchange
All parts are priced as each

PA A Unit (trailing) Diesel Engine Engine Parts

