



# Madison Passenger Cars

20-4025

20-4026

20-4028

20-4027



REV.050301

# Madison Passenger Cars

## Baggage Car

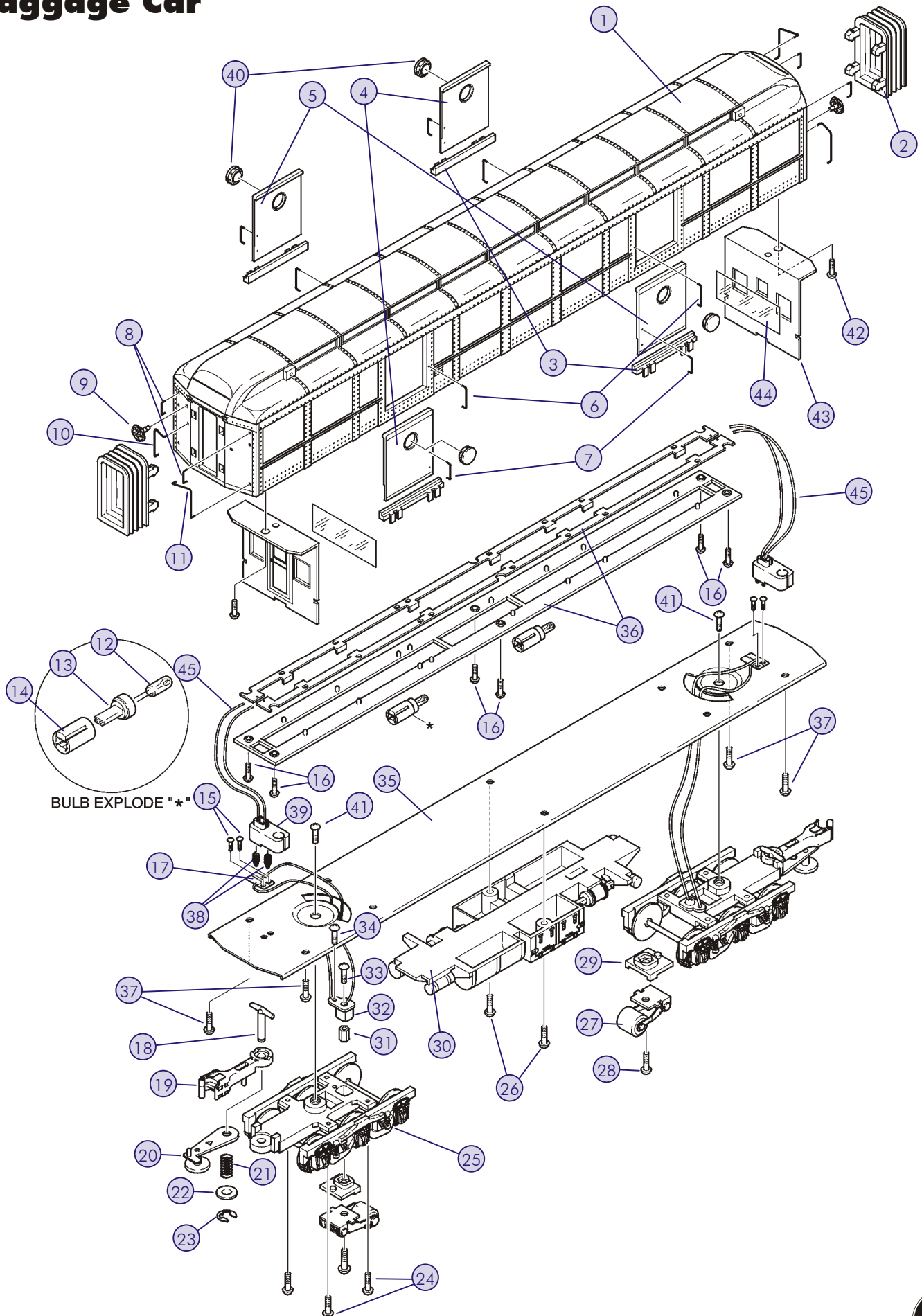
Name and Number	Part #	\$Price Per Unit	Name and Number	Part #	\$Price Per Unit
1.) Shell ( PRR )( # 6064 )	GC-0100059	*30.00	24.) Screw	IA-0000003	0.15
1.) Shell ( NYC )( # 9152 )	GC-0100060	*30.00	25.) Truck (3 axle)(black)	DA-0100001	25.00
1.) Shell ( C&O )( # 307 )	GC-0100061	*30.00	26.) Screw	IA-0000025	0.15
1.) Shell ( B&M )( # 3292 )	GC-0100062	*30.00	27.) Pick-up	BD-0000040	5.00
2.) Diaphragm (black)(4 rib)(27.0 x 49.0 x 14.0mm)	FI-0000011	2.00	28.) Screw	IA-0000015	0.15
3.) Door runner ( C&O )( gray )	GC-0100063	2.00	29.) Insulator (pick-up)(bottom)(flat, square)	BD-0000041	2.00
3.) Door runner ( PRR )( Tuscan Red )	GC-0100006	2.00	30.) Undercarriage detail (black)	GC-0100020	*10.00
3.) Door runner ( NYC )( dark gray )	GC-0100064	2.00	31.) Nut	IC-0000008	0.50
3.) Door runner ( B&M )( maroon )	GC-0100065	2.00	32.) Insulator (pick-up)(top)(square)	BD-0000014	2.00
4.) Door ( right hand )( C&O )( blue )	GC-0100066	4.00	33.) Screw	IA-0000015	0.15
4.) Door ( right hand )( Tuscan red )( PRR )	GC-0100009	4.00	34.) Screw	IA-0000003	0.15
4.) Door ( right hand )( NYC )( dark gray )	GC-0100067	4.00	35.) Floor (2 1/4 x 16 3/4)	GB-0100001	*10.00
4.) Door ( right hand )( B&M )( maroon )	GC-0100068	4.00	36.) Bulb guide	CH-0000008	10.00
5.) Door ( left hand )( C&O )( blue )	GC-0100069	4.00	37.) Screw	IA-0000025	0.15
5.) Door ( left hand )( Tuscan red )( PRR )	GC-0100013	4.00	38.) Contact springs	IE-0000015	0.50
5.) Door ( left hand )( NYC )( dark gray )	GC-0100070	4.00	39.) Contact spring base	BH-0000001	2.00
5.) Door ( left hand )( B&M )( maroon )	GC-0100071	4.00	40.) Portal lens	GC-0100022	2.00
6.) Handrail (nickel)(car side)(14.0mm long)	GC-0100014	1.00	41.) Screw	IA-0000039	0.15
7.) Door handle (nickel)(10.0mm long)	GC-0100015	1.00	42.) Screw	IA-0000067	0.15
8.) Handrail (nickel)(car end)(8.0mm long)	GC-0100016	1.00	43.) Interior detail ( baggage )	GC-0100023	*5.00
9.) Brake wheel ( C&O )( blue )	GC-0100072	1.00	44.) Interior detail window lens	FA-0100001	1.00
9.) Brake wheel (Tuscan red)(PRR)	GC-0100018	1.00	45.) Wire harness ( bulb guide )	BC-0000006	2.00
9.) Brake wheel ( NYC )( dark gray )	GC-0100073	1.00			
9.) Brake wheel ( B&M )( maroon )	GC-0100074	1.00			
10.) Handrail (left)(nickel)(car end)	GC-0120001	2.00			
11.) Handrail (right)(nickel)(car end)	GC-0110001	2.00			
12.) Bulb (18v)(grain of wheat)(small bare wires)	CG-0000005	1.00			
13.) Bulb base (for part# )	CH-0000006	0.50			
14.) Socket (bulb)(for part# )	CH-0000007	1.00			
15.) Screw	IA-0000021	0.15			
16.) Screw	IA-0000003	0.15			
17.) Contact board	BH-0000010	2.00			
18.) T-bar	IG-0000001	0.50			
19.) Coupler (non-operating)(44.0mm long)	DD-0000003	3.00			
20.) Coupler armature (37.7mm long)	DD-0000002	1.00			
21.) Spring	IE-0000007	0.50			
22.) Washer	ID-0000026	0.15			
23.) E-Clip	IF-0000002	0.15			

\*Requires Exchange  
All parts are priced as each



# Madison Passenger Cars

## Baggage Car



# Madison Passenger Cars

## Coach Car

Name and Number	Part #	\$Price Per Unit
1.) Shell ( PRR )( # 7034 )	GC-0100075	*30.00
1.) Shell ( PRR )( # 7001 )	GC-0100076	*30.00
1.) Shell ( PRR )( # 7053 )	GC-0100077	*30.00
1.) Shell ( NYC )( # 1991 )	GC-0100078	*30.00
1.) Shell ( NYC )( # 1996 )	GC-0100079	*30.00
1.) Shell ( NYC )( # 1967 )	GC-0100080	*30.00
1.) Shell ( C&O )( # 858 )	GC-0100081	*30.00
1.) Shell ( C&O )( # 861 )	GC-0100082	*30.00
1.) Shell ( C&O )( # 872 )	GC-0100083	*30.00
1.) Shell ( B&M )( # 1329 )	GC-0100084	*30.00
1.) Shell ( B&M )( # 4555 )	GC-0100085	*30.00
1.) Shell ( B&M )( # 4558 )	GC-0100086	*30.00
2.) Side door window lens	FA-0100002	1.00
3.) Side window lens	FA-0100003	2.00
4.) Handrail ( nickel ) ( car side )( 14.0mm long )	GC-0100014	1.00
5.) Brake wheel ( C&O )( blue )	GC-0100072	1.00
5.) Brake wheel ( Tuscan red ) ( PRR )	GC-0100018	1.00
5.) Brake wheel ( dark gray ) ( NYC )	GC-0100073	1.00
5.) Brake wheel ( maroon ) ( B&M )	GC-0100074	1.00
6.) Handrail ( nickel ) ( car end )( 8.0mm long )	GC-0100013	1.00
7.) Handrail ( nickel ) ( left )( car end )	GC-0120001	2.00
8.) Handrail ( nickel ) ( right )( car end )	GC-0110001	2.00
9.) Diaphragm (black)(4 rib)(27.0 x 49.0 x 14.0mm)	FI-0000011	2.00
10.) Socket (bulb)(for part #CH-0000006)	CH-0000007	1.00
11.) Bulb base (for part #CH-0000005)	CH-0000006	0.50
12.) Bulb (18V)(grain of wheat)(small bare wires)	CG-0000005	1.00
13.) Interior detail window lens	FA-0100001	1.00
14.) Bulb guide	CH-0000008	10.00
15.) Screw	IA-0000003	0.15
16.) Screw	IA-0000021	0.15
17.) Wire strap (metal)	IH-0000012	0.50
18.) Interior detail	GC-0100036	*15.00
19.) Floor (2 1/4 x 16 3/4)(w/notched corners)	GB-0100002	*10.00
20.) Screw	IA-0000025	0.15
21.) T-bar	IG-0000001	0.50
22.) Coupler (Non-operating)(44.0mm long)	DD-0000003	3.00
23.) Coupler Armature (37.7mm long)	DD-0000002	1.00
24.) Spring	IE-0000007	0.50
25.) Washer	ID-0000026	0.15
26.) E-Clip	IF-0000002	0.15
27.) Screw	IA-0000003	0.15
28.) Truck (3 axle)(black)	DA-0100001	25.00
29.) Nut	IC-0000008	0.50
30.) Insulator (Pick-up)(top)(square)	BD-0000014	2.00
31.) Screw	IA-0000015	0.15
32.) Screw	IA-0000003	0.15
33.) Undercarriage detail (black)	GC-0100020	*10.00

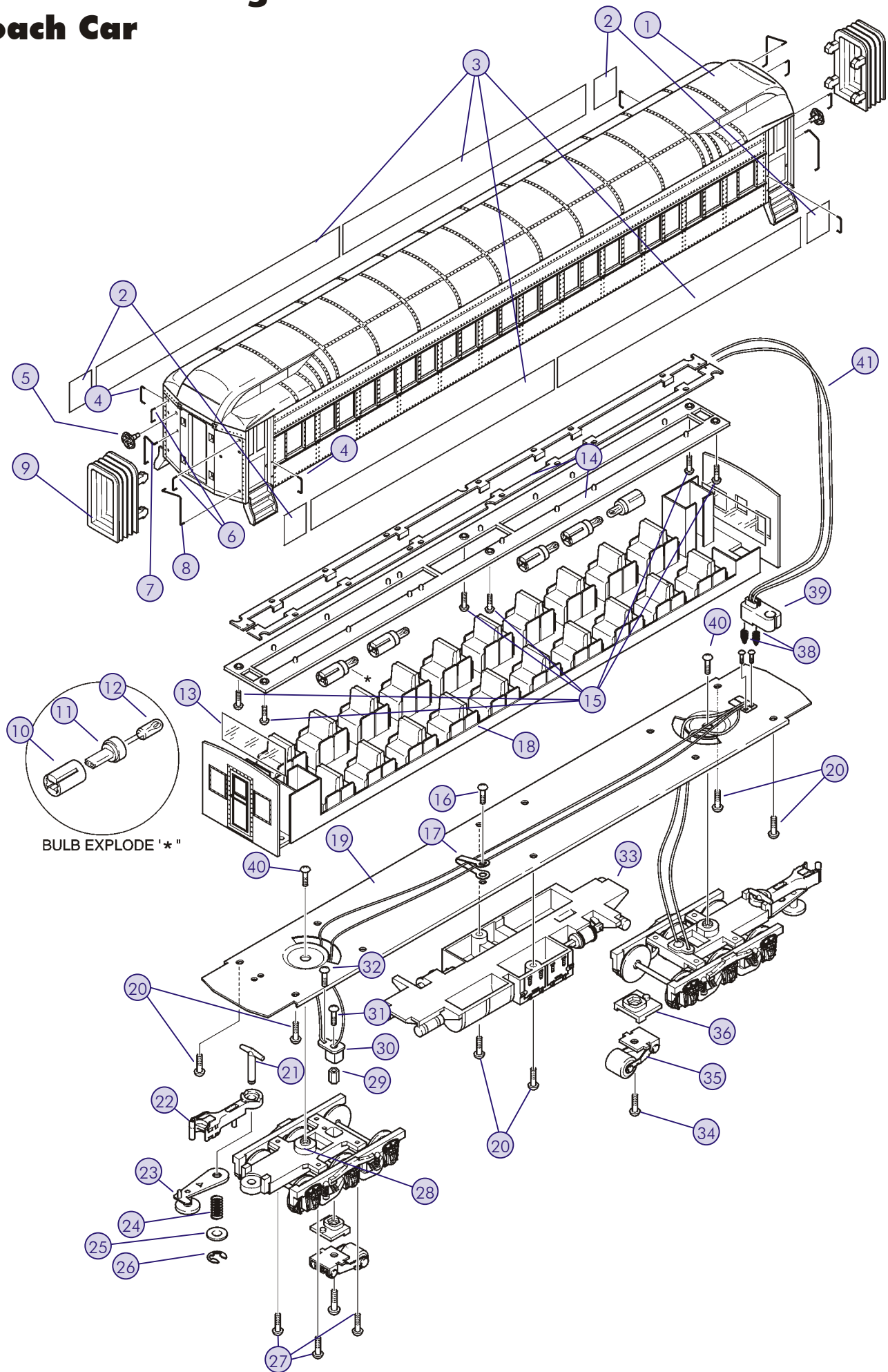
Name and Number	Part #	\$Price Per Unit
34.) Screw	IA-0000015	0.15
35.) Pick-up	BD-0000040	5.00
36.) Insulator (pick-up)(bottom)(flat, square)	BD-0000041	2.00
37.) Screw	IA-0000021	0.15
38.) Contact Springs	IE-0000015	0.50
39.) Contact spring base	BH-0000001	2.00
40.) Screw	IA-0000039	0.15
41.) Wire harness (interior bulb guide)	BC-0000006	2.00

\*Requires Exchange  
All parts are priced as each



# Madison Passenger Cars

## Coach Car



# Madison Passenger Cars

## Observation Car

Name and Number	Part #	\$Price Per Unit
1.) Shell ( PRR )(Williamsport )	GC-0100087	*30.00
1.) Shell (NYC)(Seneca Valley)	GC-0100088	*30.00
1.) Shell ( C&O )( # 15 )	GC-0100089	*30.00
1.) Shell ( B&M )( # 1 )	GC-0100090	*30.00
2.) Side window lens	FA-0100003	2.00
3.) Side door window lens	FA-0100002	1.00
4.) Handrail (nickel)(carside)(14.0mm long)	GC-0100014	1.00
5.) Handrail (right)(nickel)(car end)	GC-0110001	2.00
6.) Handrail (Left)(nickel)(car end)	GC-0120001	2.00
7.) Brake wheel (C&O)(blue)	GC-0100072	1.00
7.) Brake wheel ( Tuscan red ) ( PRR )	GC-0100018	1.00
7.) Brake wheel ( dark gray ) ( NYC )	GC-0100073	1.00
7.) Brake wheel(maroon)(B&M)	GC-0100074	1.00
8.) Handrail (nickel)(car end)(8.0mm long)	GC-0100016	1.00
9.) Diaphragm (black)(4 rib)(27.0 x 49.0 x 14.0mm)	FI-0000011	2.00
10.) Marker light housing	GC-0100041	*8.00
11.) End car detail ( PRR )( Tuscan red )	GC-0100091	*5.00
11.) End car detail ( NYC )( dark gray )	GC-0100092	*5.00
11.) End car detail ( C&O )( blue )	GC-0100093	*5.00
11.) End car detail ( B&M )( maroon )	GC-0100094	*5.00
12.) Screw	IA-0000031	0.15
13.) Porch ( PRR )( Tuscan red )	GC-0100044	*10.00
13.) Porch ( NYC )( dark gray )	GC-0100095	*10.00
13.) Porch ( C&O )( blue )	GC-0100096	*10.00
13.) Porch ( B&M )( maroon )	GC-0100097	*10.00
14.) Drumhead ( PRR )( Trail Blazer )	GC-0100098	*5.00
14.) Drumhead ( NYC )( Pacemaker )	GC-0100099	*5.00
14.) Drumhead ( C&O )( George Washington )	GC-0100100	*5.00
14.) Drumhead ( B&M )( Minute Man )	GC-0100101	*5.00
15.) Interior detail lens	FA-01000001	1.00
16.) Bulb guide	CH-0000008	10.00
17.) Light bulb (grain of wheat)(1.5V)(2 bulbs/1 plug)	CG-0000006	3.00
18.) Light bulb (grain of wheat)(1.5V)(1 bulb/1 plug)	CG-0000007	2.00
19.) Socket (bulb)(for part #CH-0000006)	CH-0000007	1.00
20.) Bulb base (for part #CH-0000005)	CH-0000006	0.50
21.) Bulb (18V)(grain of wheat)(small bare wires)	CG-0000005	1.00
22.) CV board	AG-0100010	*15.00
23.) Screw	IA-0000068	0.15
24.) Interior detail	GC-0100050	*15.00
25.) Screw	IA-0000039	0.15
26.) Contact spring base	BH-0000001	2.00
27.) Screw	IA-0000021	0.15
28.) Contact Springs	IE-0000015	0.50

Name and Number	Part #	\$Price Per Unit
29.) Contact Board	BH-0000010	2.00
30.) Screw	IA-0000025	0.15
31.) Coupler (non-operating)(44.0mm long)	DD-0000003	3.00
32.) Coupler Armature (37.7mm long)	DD-0000002	1.00
33.) Spring	IE-0000007	0.50
34.) Washer	ID-0000026	0.15
35.) E-Clip	IF-0000002	0.15
36.) Screw	IA-0000003	0.15
37.) Screw	IA-0000015	0.15
38.) Pick-up	BD-0000040	5.00
39.) Insulator (pick-up)(bottom)(flat, square)	BD-0000041	2.00
40.) Truck (3 axle)(black)	DA-0100001	25.00
42.) Insulator (pick-up)(top)(flat, square)	BD-0000014	2.00
43.) Screw	IA-0000015	0.15
44.) Screw	IA-0000003	0.15
45.) Undercarriage detail (black)	GC-0100020	*10.00
46.) T-bar	IG-0000001	0.50
47.) Wire strap (metal)	IH-0000012	0.50
48.) Screw	IA-0000021	0.15

\*Requires Exchange  
All parts are priced as each



# Madison Passenger Cars Observation Car

