



PREMIER EUROPEAN ELECTRIC TAURUS

20-5649-1 20-5657-1

20-5649-2 20-5657-2

20-5649-3 20-5657-3

20-5649-6 20-5657-6

20-5650-1 20-5658-1

20-5650-2 20-5658-2

20-5650-3 20-5658-3

20-5650-6 20-5658-6

20-5651-1 20-5659-1

20-5651-2 20-5659-2

20-5651-3 20-5659-3

20-5651-6 20-5659-6

20-5652-1 20-5660-1

20-5652-2 20-5660-2

20-5652-3 20-5660-3

20-5652-6 20-5660-6

PARTS LIST & EXPLODED VIEW

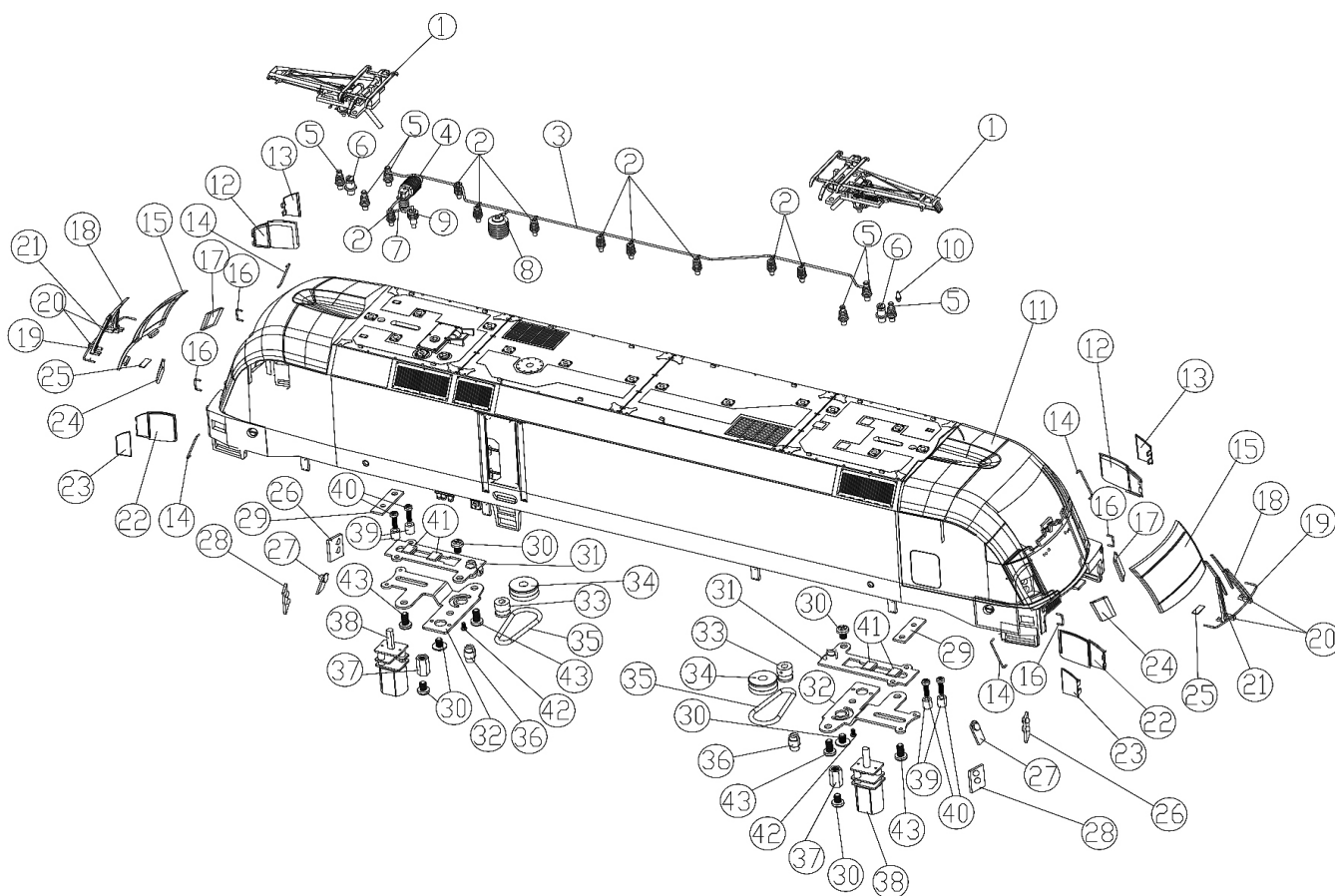
REV. 07.2015

PARTS LIST: TAURUS ELECTRIC ENGINE



1.) PANTOGRAPH	BI-3103001001
2.) CABLE INSULATOR(A)	BD-3103002001
3.) TOP WIRE PIPE(A)	FI-3103003001
4.) TOP DETAIL(B)	FI-3103004001
5.) INSULATOR(A)	BD-3103005001
6.) PANTOGRAPH SPRING COVER	IC-3103006001
7.) TOP WIRE PIPE(B)	FI-3103003002
8.) PIPE INSULATOR(A)	BD-3103007001
9.) PIPE INSULATOR(B)	BD-3103007002
10.) TOP DETAIL(A)	FI-3103004002
11.) BODY, DISPOLOK.COM (U2-012)	FC-3103008001
BODY, DB RAILION (182 002-6)	FC-3103008002
BODY, HUPAC (U2-100)	FC-3103008003
BODY, OBB (1016 035-6)	FC-3103008004
BODY, ARRIVA (183 033)	FC-3103008005
BODY, CARGOSERV (1216 930)	FC-3103008006
BODY, IN RALL (190 312)	FC-3103008007
12.) SIDE WINDOW GLASS L	FA-3123009001
13.) MIRROR R(CLOSE)	CI-3103010001
14.) BODY SIDE HANDRAIL	FC-3103011001
15.) FRONT WINDOW GLASS	FA-3133012001
16.) BODY BOTH END SMALL HANDRAIL	FC-3153013001
17.) LOW HEAD LIGHT LENS-L	FA-3123014001
18.) WIPER-L	FA-3123015001
19.) BODY END HANDRAIL	FC-3103016001
20.) FRONT DETAIL	DF-3103017001
21.) WIPER-R	FA-3113015002
22.) SIDE WINDOW GLASS R	FA-3113009002
23.) MIRROR L(CLOSE)	CI-3103010002
24.) LOW HEAD LIGHT LENS-R	FA-3113014002
25.) STEP PLATE #5	IH-3103018001
26.) LOW HEAD LIGHT BAR L	CH-3123019001
27.) HEAD LIGHT BAR	CH-3103020001
28.) LOW HEAD LIGHT BAR R CH-3113019002	
29.) PANTO PLATE	BD-3103021001
30.) SCREW, M3.0 X 4.0MM, BLACK	IA-0000010
31.) SLIDE FIX PLATE #1	DG-3103022001
32.) SLIDE FIX PLATE #2	DG-3103022002
33.) PULLEY(B)	FC-3103023001
34.) PULLEY(A)	FC-3103023002
35.) BELT	FC-3103023003
36.) PANTO PIN	BD-3103024001
37.) HEX NUT	IC-0000004
38.) MOTOR-S	BE-3103025001
39.) SPACER	FI-3103026001
40.) SCREW (M2.0X7.0MM) (BLACK)	
41.) PANTO PLATE	ID-3103027001
42.) SCREW (M1.4X3.0MM)(BLACK)	
43.) SCREW, M3 X 6.0MM, NI PLATED	IA-0000015

EXPLODED VIEW: TAURUS ELECTRIC ENGINE



PARTS LIST: TAURUS ELECTRIC ENGINE CHASSIS



1.) SEAT	FI-3103028001	WHEEL SET 1 (HIRAIL, LARGE FLANGE)	DA-3103066002
2.) LAMP GUIDE-S	CI-3103029001	57.) SCREW (M3.0X8.0MM)(BLACK)	
3.) INSULATOR SPACE	BD-3103030001	58.) CHASSIS	DH-3103067001
4.) LAMP GUIDE-D	CI-3103029002	59.) WHEEL SET 2 (SCALE)	DA-3103068001
5.) LAMP BRACKET	IH-3103073001	WHEEL SET 2 (HIRAIL, LARGE FLANGE)	DA-3103068002
6.) SCREW (M2.5X6.0MM) (BLACK)		60.) SPEEDOMETER(C)	BE-3103063003
7.) WASHER	ID-3103031001	61.) INSULATOR	BD-0000009
8.) SWITCH, DPST LARGE	BB-3103032001	62.) HEX NUT	IC-0000004
9.) SWITCH, SPST SMALL	BB-3103033001	63.) GEAR BOX COVER	EG-3103070001
10.) LAMP-PCB	AE-3103034001	64.) PICK UP PLATE	BD-3103071001
11.) PS3 DIESEL/ELECTRIC BOARD	AE-1000034	65.) PICK UP	BD-3103072001
12.) PS3.0 PCB HEATSINK	IH-3103036001	66.) MOTOR (WITH FLYWHEEL STRIPES)	
13.) PS3.0 PCB BRACKET	IH-3103037001	67.) TACH BOARD, PS3	AG-0000102
14.) VOLUME POT	BI-0000040	68.) SCREW (D3.0X4.0MM)(BLACK)	
15.) PANTO PCB BRACKET	IH-3103038001	69.) SCREW, M3 X 6.0MM, NI PLATED	IA-0000015
16.) SCREW (M2.0X4.0MM)(BLACK)		70.) SCREW (M2.0X7.0MM)(BLACK)	
17.) HEADER PCB, 2 PIN	AE-3103074001	71.) MOTOR MOUNT	BI3103077001
18.) SCREW (M3.0X7.0MM) (BLACK)		72.) RUBBER BAND	BI-4500004
19.) INSULATOR SPACE	BD-3103039001		
20.) SAND BOX	DG-3103040001		
21.) HOSE PIPE(A)	FC-3103041001		
22.) HOSE PIPE(B)	FC-3103041002		
23.) PILOT	FI-3103075001		
24.) SPEAKER	BF-3103042001		
25.) SPEAKER BRACKET	IH-3103043001		
26.) FUEL TANK	FC-3103044001		
27.) TRUCK HOLDER(A)	FC-3103045001		
28.) TRUCK HOLDER(B)	FC-3103045002		
29.) TRUCK HOLDER(C)	FC-3103045003		
30.) EUROPEAN COUPLER COVER(A)	DD-3103046001		
31.) BUFFER	IG-3103047001		
32.) BUMPER COVER	DF-3103048001		
33.) SHAFT	EH-3103049001		
34.) BUMPER SPRING	IE-3103050001		
35.) PILOT SIDE DETAIL	DG-3103051001		
36.) BUMPER BASE	BI-3103052001		
37.) E-RING	ID-3103053001		
38.) COUPLER GUIDE PLATE	DD-3103076001		
39.) COUPLER DRAFT BOX	DD-3103077001		
40.) COUPLER SET	DD-3103054001		
41.) PIN	IG-3103055001		
42.) SPRING	IE-3103056001		
43.) P/U WIRE PLATE	BI-3103057001		
44.) GEER BOX SET	EG-3103058001		
45.) MOTOR (BLACK FLYWHEEL)	BE-3103059001		
46.) WASHER	ID-3103060001		
47.) SCREW (D3.0X1.4MM)(BLACK)			
48.) SNOW PLOW #1	FH-3103061001		
49.) ROCK GUARD	FH-3103062001		
50.) SPEEDOMETER(A)	BE-3103063001		
51.) PLUNGER(B)	DF-3103064001		
52.) PLUNGER(A)	DF-3103064002		
53.) SPEEDOMETER(B)	BE-3103063002		
54.) TRUCK SIDE FRAME-R	DB-3113065001		
55.) TRUCK SIDE FRAME-L	DB-3113065002		
56.) WHEEL SET 1 (SCALE)	DA-3103066001		

EXPLODED VIEW: TAURUS ELECTRIC ENGINE CHASSIS

