



F-3 ABA

20-2198-1

20-2199-1

20-80001b1



REV.022701

F-3 ABA Powered lead A unit

Engine Parts

Name and Number	Part #	\$Price Per Unit	Name and Number	Part #	\$Price Per Unit
1.) Shell (Southern Pacific) (red, silver, orange, black)(# 6180)	FC-2100153	*85.00	16.) Number board (Reading)(# 276)	FG-2100036	2.00
1.) Shell (gray, yellow, brown) (both A units have same #) (Canadian Pacific)(# 2373)	FC-2100154	*85.00	17.) Screw (M3x8.0mm)(roundhead)	IA-0000035	0.15
1.) Shell (yellow, green, black) (Reading)(# 276)	FC-2100155	*85.00	18.) Engineer	FI-0000001	5.00
2.) Diaphragm (black)(3 rib)	FI-0000017	2.00	19.) Interior detail (gray) (has dash board and 2 seats)	FC-2100168	5.00
3.) Vent (red)(left & right sides) (Southern Pacific)(# 6180)(# 6181)	FC-2100199	8.00	20.) Grommet (black) (4.5x5.0mm)(rubber)	IH-0000010	0.15
3.) Vent (gray)(left & right sides) (Canadian Pacific)(# 2373)	FC-2100200	8.00	21.) Bulb (clear)(6v)(cab light) (65.0mm long wires w/ black plug)(grain of wheat)	CG-0000013	2.00
3.) Vent (black) (left & right sides)(Reading)(# 276)(# 279)	FC-2100201	8.00	22.) Bulb (clear)(6v)(mars light) (70.0mm white wires w/ white plug)(grain of wheat)	CB-0000001	3.00
5.) Handrail (nickel) (18.5mm long)(Southern Pacific)(# 6180)(# 6181)	FC-2100104	2.00	23.) Bracket (black) (for lights on front of F-3 A unit)	IH-0000071	3.00
5.) Handrail (yellow) (18.5mm long)(Reading)(# 276)(# 279)	FC-2100156	2.00	24.) Screw (M2.5x3.0mm)(roundhead)	IA-0000022	0.15
5.) Handrail (brown) (18.5mm long)(Canadian Pacific)(# 2373)	FC-2100632	2.00	25.) Chassis (black) (powered A unit)	DH-2100011	*15.00
6.) Handrail (nickel) (31.5mm long)(Southern Pacific)(# 6180)(# 6181)	FC-2100105	2.00	26.) Bulb (clear)(6v)(headlight) (65.0mm long wires w/ blue plug)(grain of wheat)	CA-0000010	2.00
6.) Handrail (yellow) (31.5mm long)(Reading)(# 276)(# 279)	FC-2100157	2.00	27.) Spacer (nickel) (3.5x6.0x6.0mm)(metal)	ID-0000055	0.50
6.) Handrail (brown) (31.5mm long)(Canadian Pacific)(# 2373)	FC-2100633	2.00	28.) Bulbs (clear)(6v)(2) (65.0mm long wires w/ black plug (grain of wheat)) (for number boards and marker lights)	CC-0000004	2.00
7.) Lens (clear) (portal)(11.0mm)	FA-0000001	2.00	29.) CV board (w/ mars light) (1 red, 2 black, 1 blue & 1 white female 2 pin plugs)	AG-0000017	30.00
8.) Air horn (nickel)(1 chime) (Southern Pacific)(# 6180)(# 6181)	FC-2100118	3.00	29.) CV board (w/out mars light) (1 red, 2 black & 1 blue female 2 pin plugs)	AG-0000014	30.00
8.) Air horn (black)(1 chime) (Reading)(# 276)(# 279) (Canadian Pacific)(# 2373)	FC-2100158	3.00	30.) Screw (M3x10.0mm)(roundhead)	IA-0000110	0.15
10.) Vent (black)(top) (Southern Pacific)(# 6180)(# 6181) (Reading)(# 276)(# 279)	FC-2100161	3.00	31.) Screw (M3x14.0mm)(roundhead)(w/ lock washer)	IA-0000012	0.15
10.) Vent (brown)(top) (Canadian Pacific)(# 2373)	FC-2100162	3.00	32.) Screw (4/40x30.0mm) (roundhead)(w/ 14.0mm undersized shank)	IA-0000002	0.15
11.) Handrail (nickel) (46.5mm long)(Southern Pacific)(# 6180)(# 6181)	FC-2100123	2.00	33.) Heat sink (Aluminum) (3.0x20.0x16.0mm)(w/ off center hole)	AI-0000015	2.00
11.) Handrail (yellow) (46.5mm long)(Reading)(# 276)(# 279)	FC-2100163	2.00	34.) Screw (M3x4.0mm)(roundhead)	IA-0000010	0.15
11.) Handrail (brown) (46.5mm long)(Canadian Pacific)(# 2373)	FC-2100634	2.00	35.) Bracket (brass) (Proto-Sound® board mounting)	IH-0000072	2.00
12.) Lens (clear) (8.0x7.0x6.0mm)(headlight)	FA-2130006	2.00	36.) Insulator (clear) (13.0x19.0x0.1mm)(single hole)	ID-0000024	0.15
13.) Number board housing (orange)(Southern Pacific)(# 6180)(# 6181)	FC-2100164	4.00	37.) Insulator (white) (washer)(3.0x6.0x3.0mm)(plastic)	ID-0000025	0.15
13.) Number board housing (black)(Reading)(# 276)(# 279)	FC-2100165	4.00	38.) Screw (4/40x6.0mm)(roundhead)	IA-0000003	0.15
13.) Number board housing (gray)(Canadian Pacific)(# 2373)	FC-2100166	4.00	39.) Board (top)(Proto-Sound®)	AE-4500001	*100.00
14.) Windows (clear) (windshield and side windows)	FA-2130007	6.00	40.) Proto-Sound Chip®	N/A	19.95
15.) Handrail (nickel) (12.0mm long)(Southern Pacific)(# 6180)(# 6181)	FC-2100126	2.00	41.) Board (bottom)(Proto-Sound®)	AD-4500001	*60.00
15.) Handrail (yellow) (12.0mm long)(Reading)(# 276)(# 279)	FC-2100167	2.00	42.) Battery	BG-4000001	9.95
15.) Handrail (gray) (12.0mm long)(Canadian Pacific)(# 2373)	FC-2100635	2.00	43.) Battery leads (145.0mm long wires)	BC-4000009	5.00
16.) Number board (Southern Pacific)(# 6180)	FG-2100034	2.00	44.) Screw (yellow Zinc) (M2.5x6.0mm)(roundhead)(w/ lock washer)	IA-0000001	0.15
16.) Number board (Canadian Pacific)(# 2373)	FG-2100035	2.00	45.) Motor Mount (black) (fits 2 axle Premier diesel trucks)	BI-0000009	15.00
			46.) Rubber band	BI-4500004	0.50

*Requires Exchange
All parts are priced as each



F-3 ABA Powered Lead A unit

Engine Parts

Name and Number	Part #	\$Price Per Unit	Name and Number	Part #	\$Price Per Unit
47.) Motor (RS-385PH) (w/ 8.0x17.0mm worm gear)(10.5mm long threads) (9.0x30.0mm brass tapered flywheel)	BE-0000022	25.00	78.) Insulator (black) (pick-up)(bottom)(plastic)	BD-0000001	2.00
48.) Volume pot (B10K)(SW)(w/ 230.0mm long wires)	BI-0000026	5.00	79.) Pick-up (8.0mm roller)(28.0mm long)	BD-0000005	5.00
49.) Bracket (black) (volume pot)(plastic)(u-shaped)	IH-0000023	2.00	80.) Screw (nickel) (M3x6.0mm)(roundhead)	IA-0000015	0.15
50.) Washer (7.0x12.0x0.5mm)	ID-0000034	0.15	81.) Traction tire	DE-0000018	0.75
51.) Nut (nickel) (6.0x10.0x2.0)(for volume pot)	IC-0000007	0.50	82.) Truck side (black) (fits 2 axle scale truck) (truck side screws mount from bottom)	DB-2150002	7.00
52.) Screw (M3x10.0mm)(flathead)(self-drilling)	IA-0000111	0.15	83.) Fan shroud (black) (Southern Pacific)(# 6180)(# 6181) (Reading)(# 276)(# 279)	FC-2100169	5.00
53.) Wire harness (black) (250.0mm long wires)(w/ 4 pin flat male plug) (w/ 4 pin prong plug)	BC-0000014	8.00	83.) Fan shroud (brown) (Canadian Pacific)(# 2373)	FC-2100170	5.00
54.) Screw (M3x16.0mm)(washer head)(self-drilling)	IA-0000025	0.15	84.) Fan (gray)(10 blades)	FC-2100171	2.00
55.) T-bar	IG-0000001	0.50	85.) Pin (for fan)	FC-2100172	1.00
56.) Coupler (black) (34.5mm long)(T-bar mounting)(non-operating)	DD-4000005	3.00	86.) Door (orange, silver, red) (complete w/ all hardware)(right rear) (Southern Pacific)(# 6180)(# 6181)	FC-2100173	8.00
57.) Spring (nickel) (6.5x14.0mm)(0.5mm thick wire)	IE-0000017	0.50	86.) Door (brown, gray, yellow) (complete w/ all hardware)(right rear) (Canadian Pacific)(# 2373)	FC-2100174	8.00
58.) Washer (4.5x8.0x0.5mm)	ID-0000022	0.15	86.) Door (black, green, yellow) (complete w/ all hardware)(right rear) (Reading)(# 276)(# 279)	FC-2100175	8.00
59.) E-clip (3.0x8.0x0.5mm)	IF-0000002	0.15	87.) Door (orange, silver, red) (complete w/ all hardware)(right front) (Southern Pacific)(# 6180)(# 6181)	FC-2100176	8.00
60.) Screw (M2.5x4.0mm)(roundhead)	IA-0000023	0.15	87.) Door (gray, yellow) (complete w/ all hardware)(right front) (Canadian Pacific)(# 2373)	FC-2100177	8.00
61.) Ladder (black)(truck side)	FC-2100109	3.00	87.) Door (black, yellow) (complete w/ all hardware)(right front) (Reading)(# 276)(# 279)	FC-2100178	8.00
62.) Wire strap (black) (metal)(small)	IH-0000012	1.00	88.) Door (orange, silver, red) (complete w/ all hardware)(left rear) (Southern Pacific)(# 6180)(# 6181)	FC-2100179	8.00
63.) Screw (M3x6.0mm)(roundhead)	IA-0000016	0.15	88.) Door (brown, gray, yellow) (complete w/ all hardware)(left rear) (Canadian Pacific)(# 2373)	FC-2100180	8.00
64.) Ladder (black)(chassis)	FC-2100107	3.00	88.) Door (black, green, yellow) (complete w/ all hardware)(left rear) (Reading)(# 276)(# 279)	FC-2100181	8.00
65.) Screw (M2.5x5.0mm)(roundhead)	IA-0000044	0.15	89.) Door (orange, silver, red) (complete w/ all hardware)(left front) (Southern Pacific)(# 6180)(# 6181)	FC-2100182	8.00
66.) Insulator (black) (top)(square)(pick-up)	BD-0000026	2.00	89.) Door (gray, yellow) (complete w/ all hardware)(left front) (Canadian Pacific)(# 2373)	FC-2100183	8.00
67.) Bracket (speaker)	IH-0000003	1.00	89.) Door (black, yellow) (complete w/ all hardware)(left front) (Reading)(# 276)(# 279)	FC-2100184	8.00
68.) Plate (black) (coil coupler direction)	ID-0000056	1.00	90.) Handrail (red)(cab roof) (Southern Pacific)(# 6180)(# 6181)	FC-2100185	1.00
69.) Switch (large)	BB-0000006	5.00	90.) Handrail (gray)(cab roof) (Canadian Pacific)(# 2373)	FC-2100636	1.00
70.) Screw (M3x16.0mm)(washer head)(self-drilling)	IA-0000025	0.15	90.) Handrail (yellow)(cab roof) (Reading)(# 276)(# 279)	FC-2100187	1.00
71.) Screw (M2x4.0mm)(roundhead)	IA-0000058	0.15			
72.) Speaker (Star, PR-05004-08)(8 ohms)(0.2 watt)	BF-4500008	8.95			
73.) Proto-Coupler® (black) (51.5mm long)	DD-0000001	10.00			
74.) Pilot (black) (Canadian Pacific)(# 2373) (Reading)(# 276)(# 279)	DG-2130002	15.00			
74.) Pilot (red) (Southern Pacific)(# 6180)(# 6181)	DG-2130003	15.00			
75.) Fuel tank (black) (Southern Pacific)(# 6180)(# 6181) (Canadian Pacific)(# 2373) (Reading)(# 276)(# 279)	FC-2100128	*15.00			
76.) Truck (black)(powered) (2 axle)(truck side screws mount from bottom)	DA-2000002	*30.00			
77.) Nut (nickel) (2.5x5.0x10.0mm)	IC-0000001	0.50			

*Requires Exchange
All parts are priced as each



F-3 ABA Powered Lead A unit

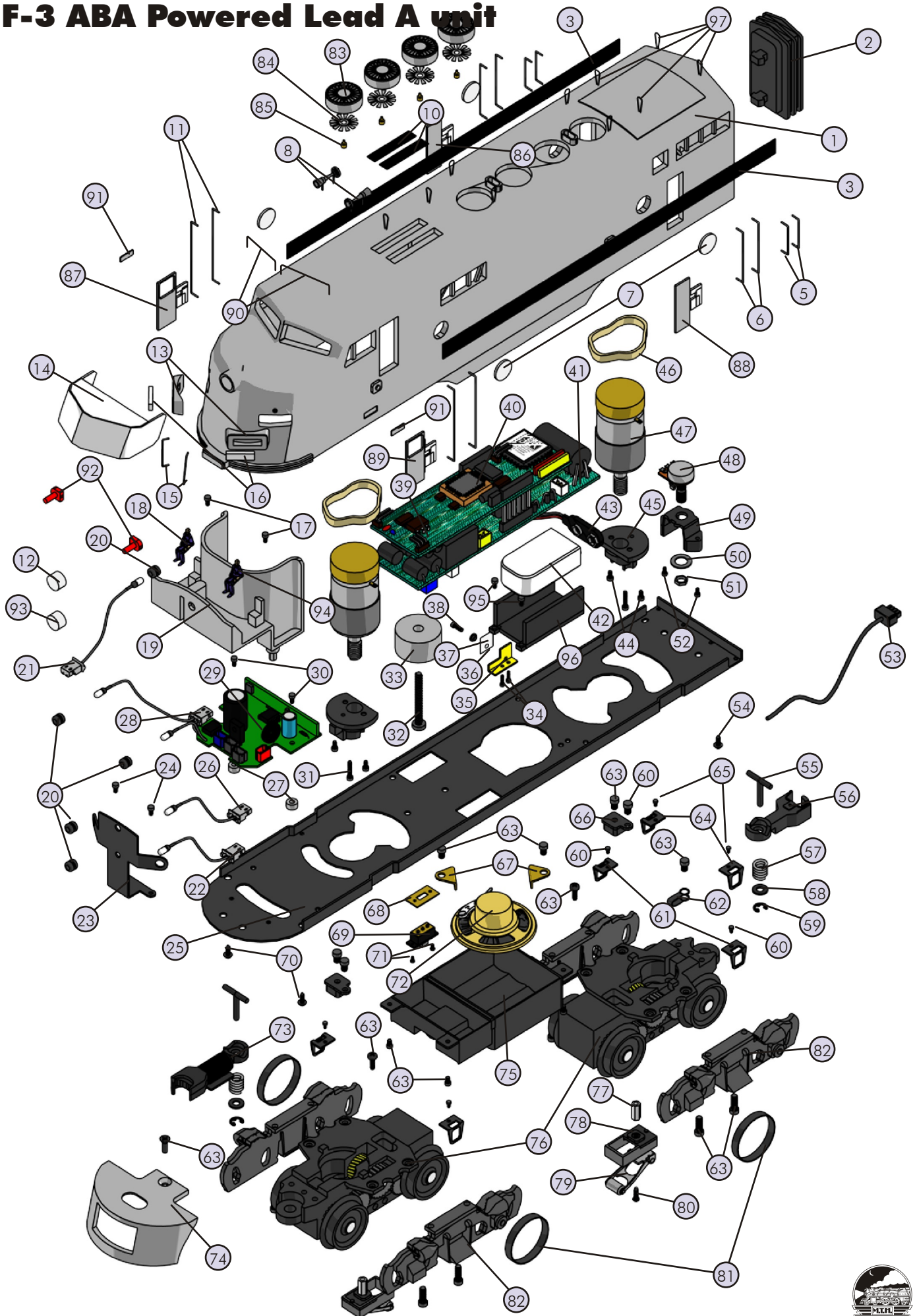
Engine Parts

Name and Number	Part #	\$Price Per Unit
91.) Builder's plate (GM) (gold letters w/ red background) (Southern Pacific)(# 6180)(# 6181)	FC-2100188	3.00
91.) Builder's plate (GM) (gold letters w/ brown background) (Canadian Pacific)(# 2373)	FC-2100637	3.00
91.) Builder's plate (GM) (gold letters w/ black background) (Reading)(# 276)(# 279)	FC-2100638	3.00
92.) Lens (green)(marker)	FA-0000061	2.00
93.) Lens (clear)(Southern Pacific) (headlight)(for engines w/ a mars light)	FA-0000003	2.00
94.) Fireman	FI-0000009	5.00
95.) Screw (nickel) (4/40x4.0mm)(roundhead)	IA-0000037	0.15
96.) Bracket (black) (battery)(flat mounted)(plastic)	IH-0000074	3.00
97.) Lift ring (black) (Southern Pacific)(# 6180)(# 6181) (Reading)(# 276)(# 279)	FC-2100189	0.50
97.) Lift ring (brown) (Canadian Pacific)(# 2373)	FC-2100190	0.50

*Requires Exchange
All parts are priced as each



F-3 ABA Powered Lead A unit



F-3 ABA Non-powered B unit

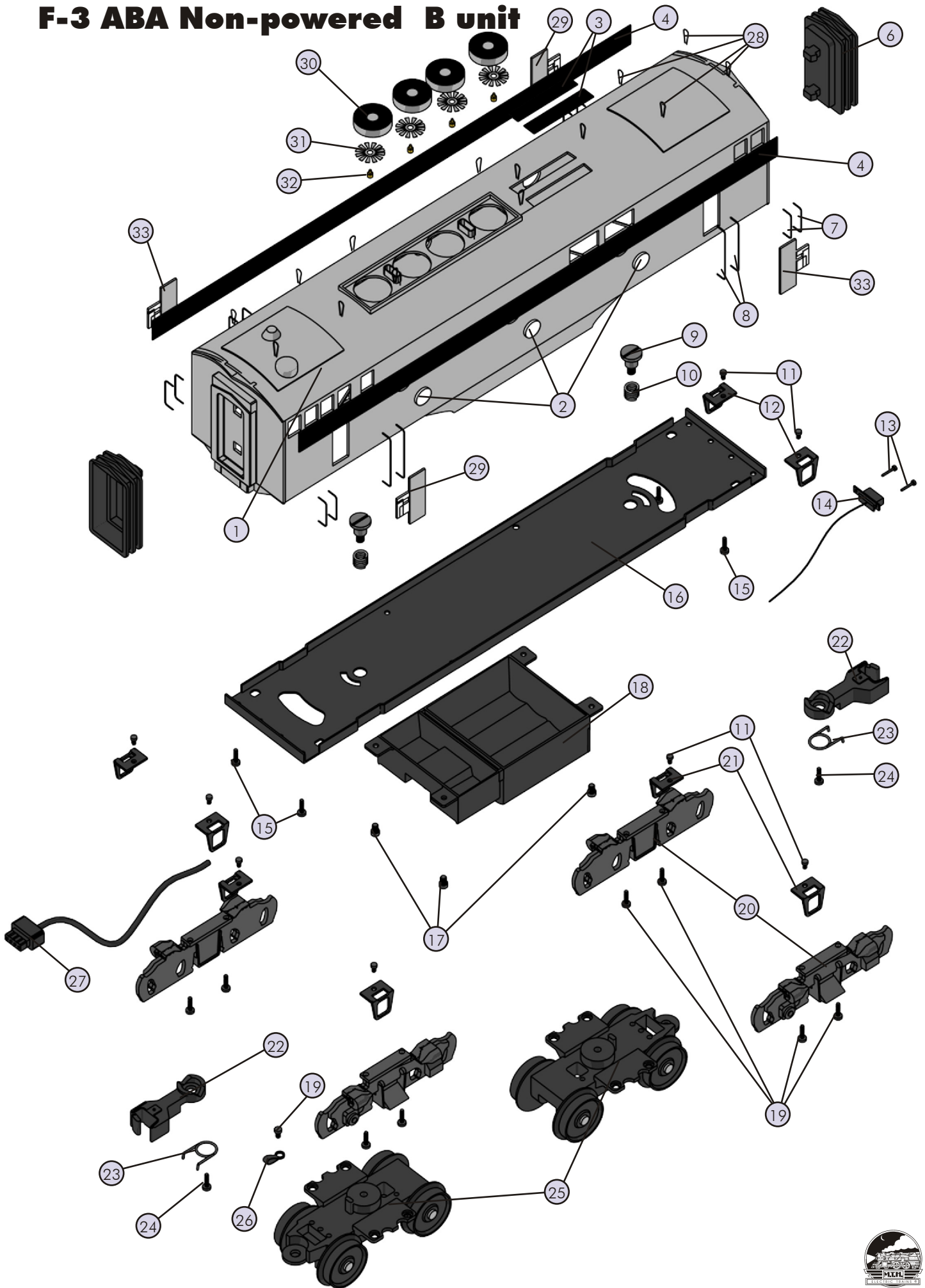
Engine Parts

Name and Number	Part #	\$Price Per Unit	Name and Number	Part #	\$Price Per Unit
1.) Shell (orange, red, silver) (Southern Pacific)(# 8080)(B unit)	FC-2100159	*85.00	28.) Lift ring (black)	FC-2100189	0.50
1.) Shell (green, black, yellow) (Reading)(B unit)	FC-2100160	*85.00	28.) Lift ring (brown)	FC-2100190	0.50
2.) Lens (clear) (portal)(11.0mm)	FA-0000001	2.00	29.) Door (S.P.) (complete w/ all hardware)(right rear/left front)	FC-2100195	8.00
3.) Vent (black)(top) (Southern Pacific)(# 6180)(# 6181)(# 8080) (Reading)(# 276)(# 279)(B unit)	FC-2100161	3.00	29.) Door (Reading) (complete w/ all hardware)(right rear/left front)	FC-2100196	8.00
3.) Vent (brown)(top) (Canadian Pacific)(# 2373)	FC-2100162	3.00	30.) Fan shroud (black)	FC-2100169	5.00
4.) Vent (red)(sides) (Southern Pacific)(# 8080)	FC-2100202	8.00	30.) Fan shroud (brown)	FC-2100170	5.00
4.) Vent (black)(sides) (Reading)(B unit)	FC-2100203	8.00	31.) Fan	FC-2100171	2.00
6.) Diaphragm (black)(3 rib)	FI-0000017	2.00	32.) Pin (for fan)	FC-2100172	
7.) Handrail (nickel) (18.5mm long) (Southern Pacific)(# 6180)(# 6181)(# 8080)	FC-2100104	2.00	33.) Door (S.P.) (complete w/ all hardware)(right front/left rear)	FC-2100197	8.00
7.) Handrail (yellow) (18.5mm long)(Reading)(# 276)(# 279)(B unit)	FC-2100193	2.00	33.) Door (Reading) (complete w/ all hardware)(left front/right rear)	FC-2100198	8.00
8.) Handrail (nickel) (31.5mm long) (Southern Pacific)(# 6180)(# 6181)(# 8080)	FC-2100105	2.00			
8.) Handrail (yellow) (31.5mm long)(Reading)(# 276)(# 279)(B unit)	FC-2100194	2.00			
9.) Bolt (8/32x15.0mm)(6.0x8.0mm oversized shank) (1.8x10.0mm slotted head)	IA-0000088	1.00			
10.) Spring (nickel) (8.0x12.0mm)(0.7mm thick wire)	IE-0000026	0.50			
11.) Screw (M2.5x4.0mm)(roundhead)	IA-0000023	0.15			
12.) Ladder (black)(chassis)	FC-2100107	3.00			
13.) Screw (M2x4.0mm)(roundhead)	IA-0000034	0.15			
14.) PC board (145.0mm long w/ 4 pin male black plug)	BB-0000015	8.00			
15.) Screw (M3x18.0mm)(washer head)(self-drilling)	IA-0000107	0.15			
16.) Chassis (black)(B unit)	DH-2100012	*15.00			
17.) Screw (M3x6.0mm)(roundhead)	IA-0000016	0.15			
18.) Fuel tank (black) (no switch holes)(Southern Pacific)(# 8080) (Reading)(B unit)	FC-2100131	*15.00			
19.) Screw (M3x6.0mm)(roundhead)	IA-0000016	0.15			
20.) Truck side (black) (Southern Pacific)(# 8080)(Reading)(B unit)	DB-2050002	7.00			
21.) Ladder (black)(truck side)	FC-2100109	3.00			
22.) Coupler (black) (non-operating)(34.5mm long)(screw base)	DD-4000008	3.00			
23.) Spring (nickel) (centering spring)	IE-0000027	0.50			
24.) Screw (M2.5x6.0mm)(washer head)	IA-0000108	0.15			
25.) Truck (black)(2 axle) (non-operating)(truck side screws mount from bottom)	DA-2000006	20.00			
26.) Wire strap (black) (metal)(small)	IH-0000012	1.00			
27.) Wire harness (200.0mm long wires w/ 4 pin female white plug)	BC-0000013	8.00			

*Requires Exchange
All parts are priced as each



F-3 ABA Non-powered B unit



F-3 ABA Powered Trailing A unit

Engine Parts

Name and Number	Part #	\$Price Per Unit	Name and Number	Part #	\$Price Per Unit
1.) Shell (orange, red, silver, black) (Southern Pacific)(# 6181)	FC-2100191	*85.00	16.) Windows (clear) (windshield and side windows)	FA-2130007	6.00
1.) Shell (gray, yellow, brown) (Canadian Pacific)(# 2373)	FC-2100154	*85.00	17.) Screw (M3x8.0mm)(roundhead)	IA-0000035	0.15
1.) Shell (black, green, yellow) (Reading)(# 279)	FC-2100192	*85.00	18.) Engine	FI-0000001	5.00
2.) Diaphragm (black)(3 rib)	FI-0000017	2.00	19.) Interior detail (gray) (has dash board and 2 seats)	FC-2100168	5.00
3.) Vent (red)(left & right sides) (Southern Pacific)(# 6180)(# 6181)	FC-2100199	8.00	20.) Grommet (black) (4.5x5.0mm)(rubber)	IH-0000010	0.15
3.) Vent (gray)(left & right sides) (Canadian Pacific)(# 2373)	FC-2100200	8.00	21.) Bulbs (clear)(6v)(2) (65.0mm long wires w/ black plug)(grain of wheat)	CC-0000004	3.00
3.) Vent (black) (left & right sides)(Reading)(# 276)(# 279)	FC-2100201	8.00	22.) Lens (red)(marker)	FA-0000002	2.00
5.) Handrail (nickel) (18.5mm long)(Southern Pacific)(# 6180)(# 6181)	FC-2100104	2.00	23.) Bracket (black) (for lights on front of F-3 A unit)	IH-0000071	3.00
5.) Handrail (yellow) (18.5mm long)(Reading)(# 276)(# 279)	FC-2100156	2.00	24.) Screw (M2.5x3.0mm)(roundhead)	IA-0000022	0.15
5.) Handrail (brown) (18.5mm long)(Canadian Pacific)(# 2373)	FC-2100632	2.00	25.) Bulb (clear)(6v)(cab light) (65.0mm long wires w/ black plug)(grain of wheat)	CG-0000013	2.00
6.) Handrail (nickel) (31.5mm long) (Southern Pacific)(# 6180)(# 6181)(# 8080)	FC-2100105	2.00	26.) Bulb (clear)(6v)(headlight) (65.0mm long wires w/ blue plug)(grain of wheat)	CA-0000010	2.00
6.) Handrail (yellow) (31.5mm long)(Reading)(# 276)(# 279)(B unit)	FC-2100157	2.00	27.) Screw (M3x10.0mm)(roundhead)	IA-0000110	0.15
6.) Handrail (brown) (31.5mm long)(Canadian Pacific)(# 2373)	FC-2100633	2.00	28.) CV board (w/ mars light) (1 red, 2 black, 1 blue & 1 white female 2 pin plugs)	AG-0000017	30.00
7.) Lens (clear) (portal)(11.0mm)	FA-0000001	2.00	28.) CV board (w/ out mars light) (1 red, 2 black & 1 blue female 2 pin plugs)	AG-0000014	30.00
8.) Air horn (nickel)(1 chime)	FC-2100118	3.00	29.) Spacer (nickel) (3.5x6.0x6.0mm)(metal)	ID-0000055	0.50
8.) Air horn (black)(1 chime)	FC-2100158	3.00	30.) Screw (M3x16.0mm)(washer head)(self-drilling)	IA-0000025	0.15
10.) Vent (black)(top) (Southern Pacific)(# 6180)(# 6181)(# 8080) (Reading)(# 276)(# 279)(B unit)	FC-2100161	3.00	31.) Proto-Coupler® (black) (51.5mm long)	DD-0000001	10.00
10.) Vent (brown)(top) (Canadian Pacific)(# 2373)	FC-2100162	3.00	32.) Screw (M3x6.0mm)(roundhead)	IA-0000016	0.15
11.) Handrail (nickel) (46.5mm long) (Southern Pacific)(# 6180)(# 6181)	FC-2100123	2.00	33.) Pilot (black)(F-3 A unit) (1 hole for mounting screw) (Canadian Pacific)(# 2373)(Reading)(# 276)(# 279)	DG-2130002	15.00
11.) Handrail (yellow) (46.5mm long)(Reading)(# 276)(# 279)	FC-2100163	2.00	33.) Pilot (red)(F-3 A unit) (1 hole for mounting screw) (Southern Pacific)(# 6180)(# 6181)	DG-2130003	15.00
11.) Handrail (brown) (46.5mm long)(Canadian Pacific)(# 2373)	FC-2100634	2.00	34.) Fuel tank (black) (no switch holes)(Southern Pacific)(# 6180)(# 6181) (Canadian Pacific)(# 2373)(Reading)(# 276)(# 279)	FC-2100131	*15.00
12.) Lens (clear) (headlight)(8.0x7.0x6.0mm)	FA-2130006	2.00	35.) Truck (black)(powered) (2 axle)(truck side screws mount from bottom)	DA-2000002	*30.00
13.) Number board housing (orange)(Southern Pacific)(# 6180)(# 6181)	FC-2100164	4.00	36.) Truck side (black) (truck side screws mount from bottom)	DB-2150002	7.00
13.) Number board housing (black)(Reading)(# 276)(# 279)	FC-2100165	4.00	37.) Screw (nickel) (M3x6.0mm)(roundhead)	IA-0000015	0.15
13.) Number board housing (gray)(Canadian Pacific)(# 2373)	FC-2100166	4.00	38.) Pick-up (8.0mm roller)(28.0mm long)	BD-0000005	5.00
14.) Number board (Southern Pacific)(# 6181)	FG-2100037	2.00	39.) Insulator (black) (pick-up)(bottom)(plastic)	BD-0000001	2.00
14.) Number board (Canadian Pacific)(# 2373)	FG-2100035	2.00	40.) Nut (nickel) (2.5x5.0x10.0mm)	IC-0000001	0.50
14.) Number board (Reading)(# 279)	FG-2100038	2.00	41.) Ladder (black)(truck side)	FC-2100109	3.00
15.) Handrail (nickel) (12.0mm long)(Southern Pacific)(# 6180)(# 6181)	FC-2100126	2.00	42.) Screw (M2.5x4.0mm)(roundhead)	IA-0000023	0.15
15.) Handrail (yellow) (12.0mm long)(Reading)(# 276)(# 279)	FC-2100167	2.00	43.) Ladder (black)(chassis)	FC-2100107	3.00
15.) Handrail (gray) (12.0mm long)(Canadian Pacific)(# 2373)	FC-2100635	2.00	44.) Screw (M2.5x5.0mm)(roundhead)	IA-0000044	0.15

*Requires Exchange
All parts are priced as each



F-3 ABA Powered Trailing A unit

Engine Parts

Name and Number	Part #	\$Price Per Unit	Name and Number	Part #	\$Price Per Unit
45.) E-clip (black) (3.0x8.0x0.5mm)	IF-0000002	0.15	70.) Door (orange, silver, red) (complete w/ all hardware)(right front) (Southern Pacific)(# 6180)(# 6181)	FC-2100176	8.00
46.) Washer (black) (5.0x10.0x1.0mm)	ID-0000026	0.15	70.) Door (gray, yellow) (complete w/ all hardware)(right front) (Canadian Pacific)(# 2373)	FC-2100177	8.00
47.) Spring (nickel) (6.5x14.0mm)(w/ 0.5mm thick wire)	IE-0000022	0.50	70.) Door (black, yellow) (complete w/ all hardware)(right front) (Reading)(# 276)(# 279)	FC-2100178	8.00
48.) Coupler (black) (non-operating)(34.5mm long)(T-bar mounting)	DD-4000005	3.00	71.) Door (orange, silver, red) (complete w/ all hardware)(left rear) (Southern Pacific)(# 6180)(# 6181)	FC-2100179	8.00
49.) T-bar	IG-0000001	0.50	71.) Door (brown, gray, yellow) (complete w/ all hardware)(left rear) (Canadian Pacific)(# 2373)	FC-2100180	8.00
50.) Screw (M3x16.0mm)(washer head)(self-drilling)	IA-0000025	0.15	71.) Door (black, green, yellow) (complete w/ all hardware)(left rear) (Reading)(# 276)(# 279)	FC-2100181	8.00
51.) Wire strap (black) (metal)(small)	IH-0000012	1.00	72.) Door (orange, silver, red) (complete w/ all hardware)(left front) (Southern Pacific)(# 6180)(# 6181)	FC-2100182	8.00
52.) Insulator (black) (top)(square)(pick-up)	BD-0000026	2.00	72.) Door (gray, yellow) (complete w/ all hardware)(left front) (Canadian Pacific)(# 2373)	FC-2100183	8.00
53.) Chassis (black) (powered A unit)	DH-2100011	*15.00	72.) Door (black, yellow) (complete w/ all hardware)(left front) (Reading)(# 276)(# 279)	FC-2100184	8.00
54.) Spacer (black) (2.0x4.5x14.5mm)(metal)	ID-0000050	0.50	73.) Builder's plate (GM) (gold letters w/ red background)(2.7x8.5mm) (Southern Pacific)(# 6180)(# 6181)	FC-2100188	3.00
55.) Wire harness (black) (210.0mm long wires)(w/ 4 pin female plug & PCB) (w/ 4 pin prong plug and extra wire)	BC-0000015	8.00	73.) Builder's plate (GM) (gold letters w/ brown background)(2.7x8.5mm) (Canadian Pacific)(# 2373)	FC-2100637	3.00
56.) Screw (M2x18.0mm)(roundhead)	IA-0000095	0.15	73.) Builder's plate (GM) (gold letters w/ black background)(2.7x8.5mm) (Reading)(# 276)(# 279)	FC-2100638	3.00
57.) Rubber band	BI-4500004	0.50	74.) Handrail (red)(cab roof) (Southern Pacific)(# 6180)(# 6181)	FC-2100185	1.00
58.) Motor (RS-385PH) (w/ 8.0x17.0mm worm gear)(10.5mm long threads) (9.0x30.0mm brass tapered flywheel)	BE-0000022	25.00	74.) Handrail (gray)(cab roof) (Canadian Pacific)(# 2373)	FC-2100636	1.00
59.) Motor mount (black) (fits 2 axle Premier diesel trucks)	BI-0000009	15.00	74.) Handrail (yellow)(cab roof) (Reading)(# 276)(# 279)	FC-2100187	1.00
60.) Screw (yellow Zinc) (M2.5x6.0mm)(roundhead)(w/ lock washer)	IA-0000001	0.15	75.) Lift ring (black) (Southern Pacific)(# 6180)(# 6181)(# 8080) (Reading)(# 276)(# 279)(B unit)	FC-2100189	0.50
61.) Screw (M3x14.0mm)(roundhead)(w/ lock washer)	IA-0000012	0.15	75.) Lift ring (brown) (Canadian Pacific)(# 2373)	FC-2100190	0.50
62.) Board (green) (DCRU)(slave board)(no 2 pin plugs)	AC-0000001	39.95			
63.) Bracket (black)(for DCRU) (39.0x27.0x10.0mm)(u-shaped)(plastic)	IH-0000039	1.00			
64.) Lens (clear)(S.P. only) (headlight)(for engines w/ a mars light)	FA-0000003	2.00			
65.) Screw (4/40x20.0mm)(roundhead)	IA-0000112	0.15			
66.) Fan shroud (black)(small) (Southern Pacific)(# 6180)(# 6181)(# 8080) (Reading)(# 276)(# 279)(B unit)	FC-2100169	5.00			
66.) Fan shroud (brown)(small) (Canadian Pacific)(# 2373)	FC-2100170	5.00			
67.) Fan (gray) (small)(10 blades)	FC-2100171	2.00			
68.) Pin (brass)(for fan)	FC-2100172	1.00			
69.) Door (orange, silver, red) (complete w/ all hardware)(right rear) (Southern Pacific)(# 6180)(# 6181)	FC-2100173	8.00			
69.) Door (brown, gray, yellow) (complete w/ all hardware)(right rear) (Canadian Pacific)(# 2373)	FC-2100174	8.00			
69.) Door (black, green, yellow) (complete w/ all hardware)(right rear) (Reading)(# 276)(# 279)	FC-2100175	8.00			

*Requires Exchange
All parts are priced as each



F-3 ABA Powered Trailing Unit

