

**LIONEL ELECTRIC TRAINS**  
MODEL RAILROAD  
ACCESSORIES  
**LIONEL CORPORATION TINPLATE**

**"0" GAUGE  
NO. 2814  
BOX CAR**

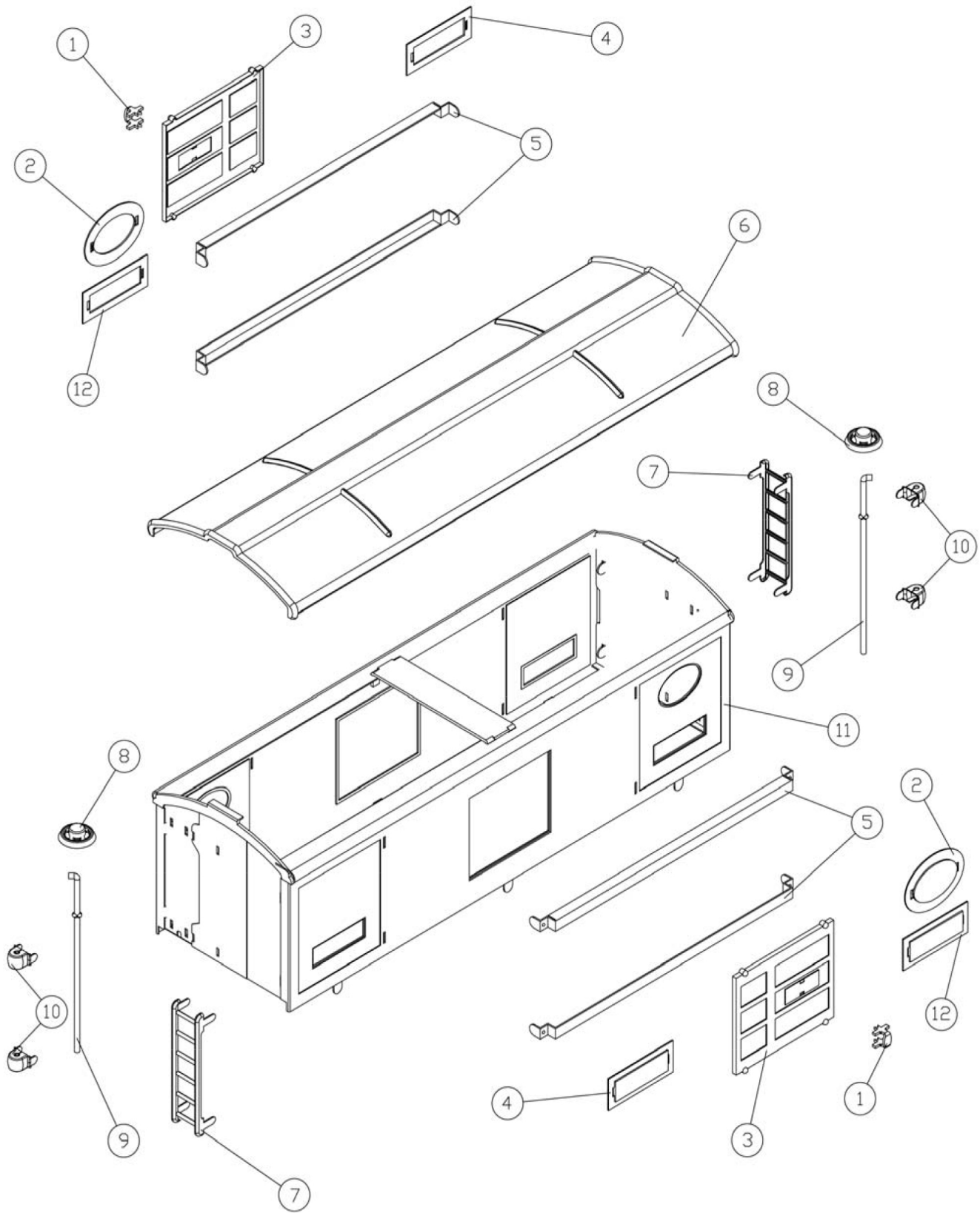
**PARTS LIST & EXPLODED VIEW**

REV. 01.2016

# PARTS LIST: NO. 2814 BOX CAR BODY

1.) DOOR HANDLE BRASS	<a href="#">TP-281300001</a>
1A.) DOOR HANDLE NICKEL	<a href="#">TP-OF00026</a>
2.) BUILDERS PLATE B	<a href="#">TP-281400001</a>
3.) DOOR	<a href="#">TP-281400002</a>
4.) BUILDERS PLATE A	<a href="#">TP-281400003</a>
5.) DOOR RUNNER	<a href="#">TP-SF00031</a>
6.) ROOF	<a href="#">TP-OF00033</a>
7.) LADDER BRASS	<a href="#">TP-281400005</a>
7A.) LADDER NICKEL	<a href="#">TP-281400006</a>
8.) BRAKE WHEEL BRASS	<a href="#">TP-OF00010</a>
8A.) BRAKE WHEEL NICKEL	<a href="#">TP-OF00011</a>
9.) BRAKE WHEEL SHAFT BRASS	<a href="#">TP-OF00012</a>
9A.) BRAKE WHEEL SHAFT NICKEL	<a href="#">TP-OF00013</a>
10.) BRAKE WHEEL STANCHION NICKEL	<a href="#">TP-SF00018</a>
10A.) BRAKE WHEEL STANCHION BRASS	<a href="#">TP-SF00017</a>
11.) BODY ASS'Y	<a href="#">TP-281400007</a>
12.) BUILDERS PLATE C	<a href="#">TP-281400008</a>

# EXPLODED VIEW: NO. 2814 BOX CAR BODY



# PARTS LIST: NO. 2814 BOX CAR CHASSIS



- |                             |                              |
|-----------------------------|------------------------------|
| 1.) FLOOR                   | <a href="#">TP-281400004</a> |
| 2.) E-RING                  | <a href="#">TP-OT00013</a>   |
| 3.) BOLSTER                 | <a href="#">TP-281000030</a> |
| 4.) WASHER                  | <a href="#">TP-OT00028</a>   |
| 5.) BOX COUPLER RIVET       | <a href="#">TP-OT00012</a>   |
| 6.) BOX COUPLER             | <a href="#">TP-OT00011</a>   |
| 7.) COUPLER LEVER           | <a href="#">TP-281000032</a> |
| 8.) TRUCK SIDE FRAME        | <a href="#">TP-281000033</a> |
| 9.) JOURNAL BOX BRASS       | <a href="#">TP-MS00041</a>   |
| 9A.) JOURNAL BOX NICKEL     | <a href="#">TP-MS00042</a>   |
| 9B.) JOURNAL BOX COPPER     | <a href="#">TP-MS00043</a>   |
| 10.) WHEEL                  | <a href="#">TP-OT00029</a>   |
| 11.) WASHER                 | <a href="#">TP-ST00039</a>   |
| 12.) AXLE                   | <a href="#">TP-OT00010</a>   |
| 13.) AUTO BOX COUPLER ASS'Y | <a href="#">TP-281000034</a> |
| 14.) TRUCK BRACE            | <a href="#">TP-OT00026</a>   |
| 15.) TRUCK ASS'Y            | <a href="#">TP-281000035</a> |

# EXPLODED VIEW: NO. 2814 BOX CAR CHASSIS

**LIONEL** ELECTRIC TRAINS  
MODEL RAILROAD ACCESSORIES  
LIONEL CORPORATION TINPLATE

