



TRADITIONAL NO.408E LOCOMOTIVE

PARTS LIST & EXPLODED VIEW

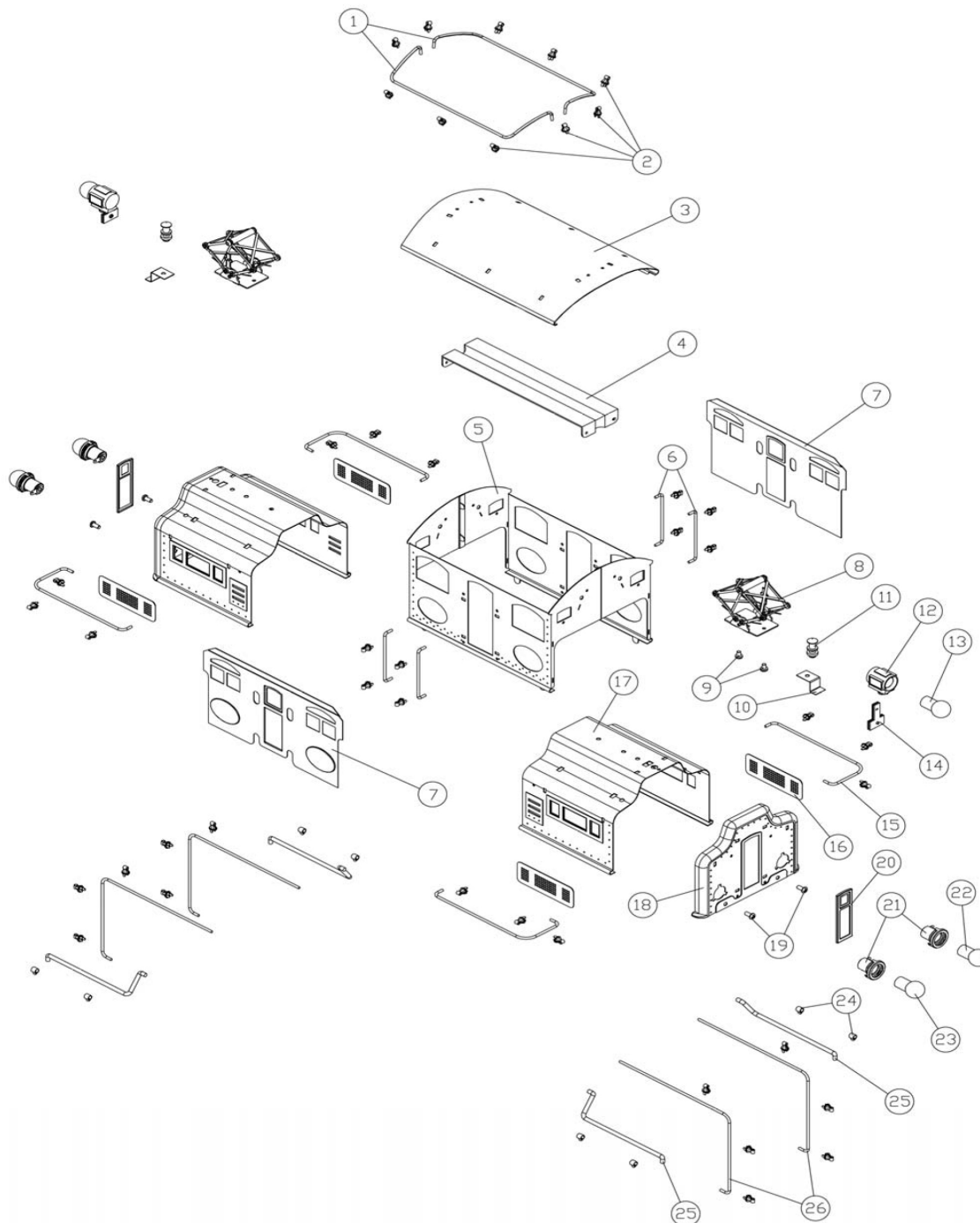
REV. 07.2015

PARTS LIST: BODY

1.)	HAND RAIL(ROOF)	TP-40800001
2.)	HANDRAIL STANCHIONS (NICKEL)	TP-MS00039
3.)	ROOF	TP-40800002
4.)	STANCHION	TP-40800003
5.)	CENTER BODY-A	TP-40800004
6.)	HAND RAIL(DOOR)	TP-ST00041
7.)	INSIDE DOOR	TP-40800005
8.)	PANTOGRAPH	TP-SE00029
9.)	SCREW	TP-MS00055
10.)	RIGGER	TP-40800006
11.)	WHISTLE (BRASS)	TP-SE00038
12.)	HEAD LIGHT (BRASS)	TP-SE00015
13.)	BULB 18V	TP-MS00016
14.)	HEAD LIGHT INSERT	TP-MS00038
15.)	HAND RAIL(BODY SIDE)	TP-40800007
16.)	VENT	TP-SE00037
17.)	F&R BODY	TP-40800008
18.)	END PANEL	TP-40800009
19.)	SCREW	TP-MS00055
20.)	END DOOR	TP-40800010
21.)	SOCKET LIGHT	TP-40800011
22.)	BULB(RED) 18V	TP-MS00156
23.)	BULB(GREEN) 18V	TP-MS00157
24.)	STEAM PIPE F/BAND	TP-MS00066
25.)	HAND RAIL-COPPER	TP-40800012
26.)	HAND RAIL(F&R)	TP-40800013

EXPLODED VIEW: BODY

408E Locomotive Body View



PARTS LIST: CHASSIS

1.) WEIGHT-1	TP-40800014
2.) SCREW	TP-MS00061
3.) NUT	TP-MS00074
4.) WEIGHT-2	TP-40800015
5.) SCREW	TP-MS00058
6.) JOURNAL SPRING	TP-SE00021
7.) SIDE STEP	TP-SE00034
8.) MAIN FLOOR	TP-40800016
9.) WEIGHT-3	TP-40800017
10.) FLAG	TP-SL00061
11.) FLAG STANCHION (BRASS)	TP-SL00062
12.) SCREW	TP-MS00061
13.) PILOT	TP-SE00012
14.) COUPLER LONG SHANK W/SPRING	TP-MS00020
15.) COMMUTATOR	TP-40800018
16.) MOTOR COMPLETE RED WHEELS	TP-SE00025

EXPLODED VIEW: CHASSIS

408E Locomotive Chassis View

